



Chipsmall Limited consists of a professional team with an average of over 10 year of expertise in the distribution of electronic components. Based in Hongkong, we have already established firm and mutual-benefit business relationships with customers from,Europe,America and south Asia,supplying obsolete and hard-to-find components to meet their specific needs.

With the principle of "Quality Parts,Customers Priority,Honest Operation,and Considerate Service",our business mainly focus on the distribution of electronic components. Line cards we deal with include Microchip,ALPS,ROHM,Xilinx,Pulse,ON,Everlight and Freescale. Main products comprise IC,Modules,Potentiometer,IC Socket,Relay,Connector.Our parts cover such applications as commercial,industrial, and automotives areas.

We are looking forward to setting up business relationship with you and hope to provide you with the best service and solution. Let us make a better world for our industry!



Contact us

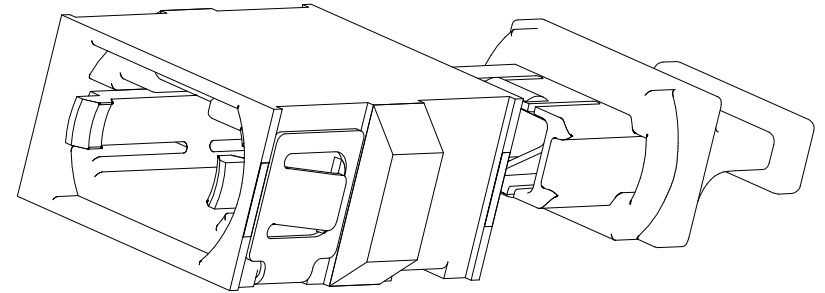
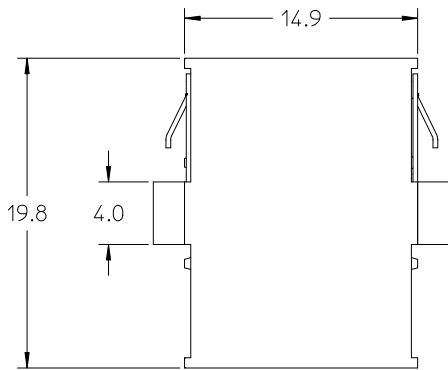
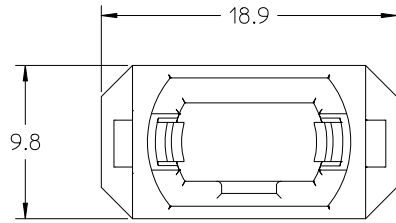
Tel: +86-755-8981 8866 Fax: +86-755-8427 6832

Email & Skype: info@chipsmall.com Web: www.chipsmall.com

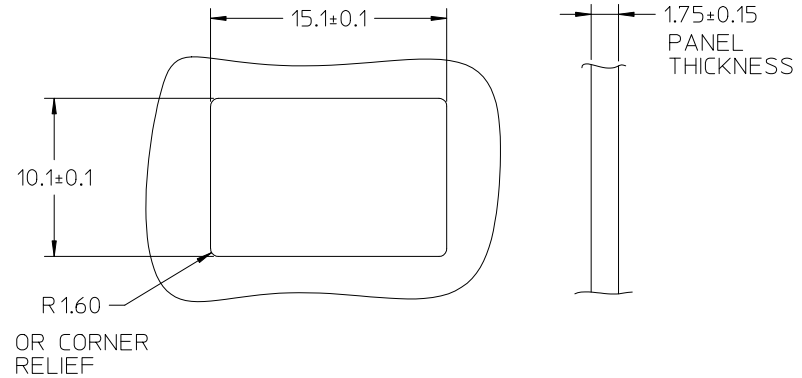
Address: A1208, Overseas Decoration Building, #122 Zhenhua RD., Futian, Shenzhen, China



KEY ORIENTATION OPPOSED



TWO DUST CAPS ARE PROVIDED



RECOMMENDED MOUNTING CUTOUT

NOTE:

MATERIALS:
 ADAPTER BODY - POLYETHERIMIDE, BLACK
 FLAMMABILITY - UL94 V-0
 SPRING CLIP - STAINLESS STEEL
 DUST PLUG - POLYCARBONATE:
 SURFACE RESISTIVITY - <1E12 ohm/sq
 TML - <1%
 FLAMMABILITY - UL94 V-0

ENTER DESCRIPTION EC NO: MF2012-0454 DRAWN BY: YBEDNYAK 2012/03/20 CHKD: ILG APPR: IGUMIN 2012/03/23	QUALITY SYMBOLS	GENERAL TOLERANCES (UNLESS SPECIFIED)	DIMENSION STYLE	SCALE	DESIGN UNITS	THIRD ANGLE PROJECTION
	▼=0 ▽=0	mm	MM ONLY	---	INCH	MTP ADAPTER, REDUCED FLANGE MOLEX INCORPORATED
		INCH	DRAWN BY	DATE	TITLE	
		4 PLACES ± --- ± --- 3 PLACES ± --- ± --- 2 PLACES ± --- ± --- 1 PLACE ± --- ± ---	KP	2003/07/10		
ANGULAR ±1/2° DRAFT WHERE APPLICABLE MUST REMAIN WITHIN DIMENSIONS	APPROVED BY	DATE	MATERIAL NO.	DOCUMENT NO.	SHEET NO.	
B1	ILG	2003/07/10	1061810007	SD-106181-0007	1 OF 1	
THIS DRAWING CONTAINS INFORMATION THAT IS PROPRIETARY TO MOLEX INCORPORATED AND SHOULD NOT BE USED WITHOUT WRITTEN PERMISSION						