



Chipsmall Limited consists of a professional team with an average of over 10 year of expertise in the distribution of electronic components. Based in Hongkong, we have already established firm and mutual-benefit business relationships with customers from,Europe,America and south Asia,supplying obsolete and hard-to-find components to meet their specific needs.

With the principle of “Quality Parts,Customers Priority,Honest Operation,and Considerate Service”,our business mainly focus on the distribution of electronic components. Line cards we deal with include Microchip,ALPS,ROHM,Xilinx,Pulse,ON,Everlight and Freescale. Main products comprise IC,Modules,Potentiometer,IC Socket,Relay,Connector.Our parts cover such applications as commercial,industrial, and automotives areas.

We are looking forward to setting up business relationship with you and hope to provide you with the best service and solution. Let us make a better world for our industry!



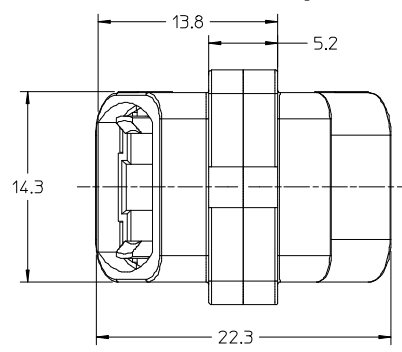
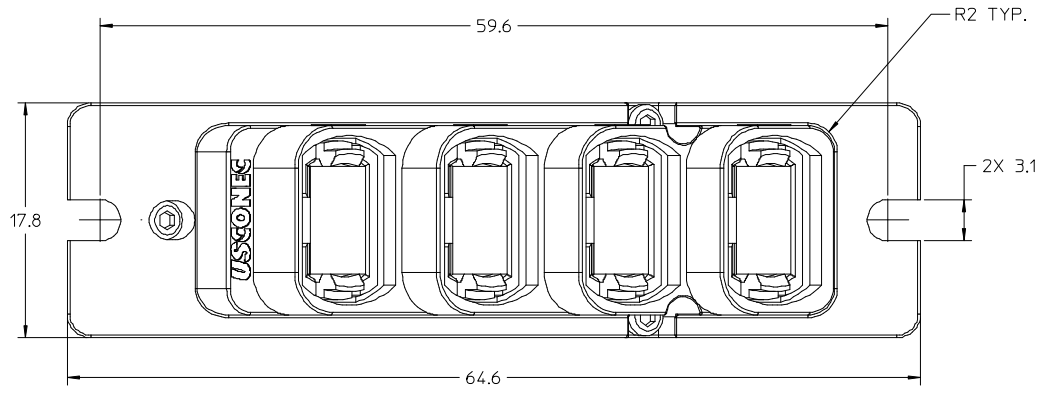
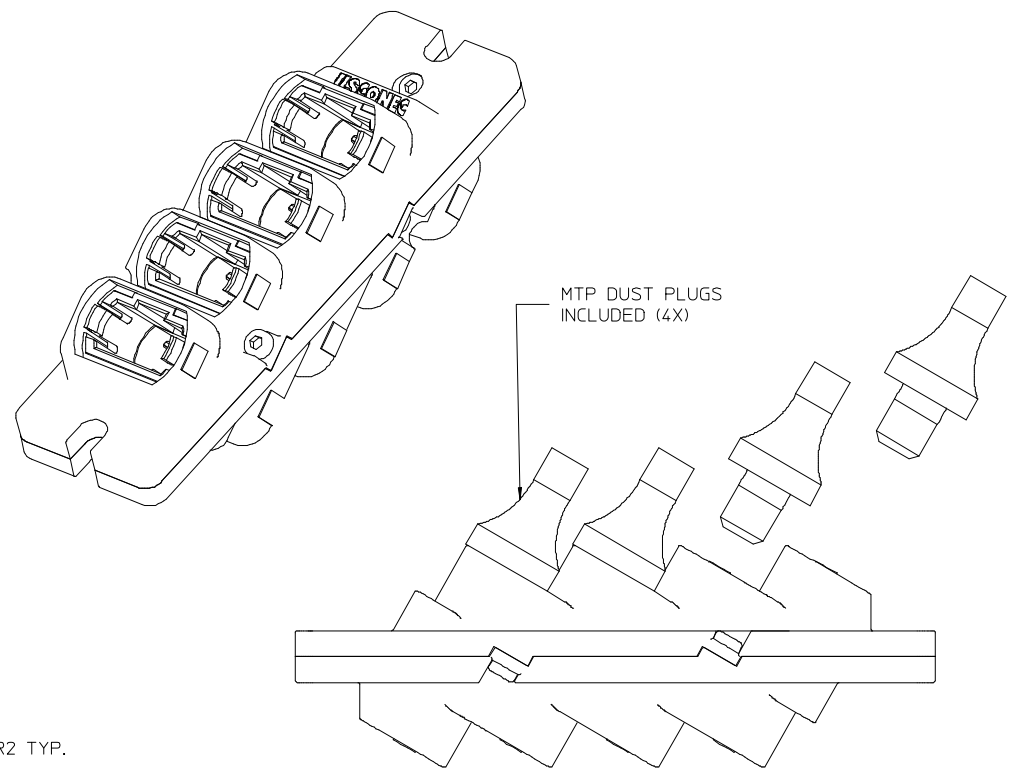
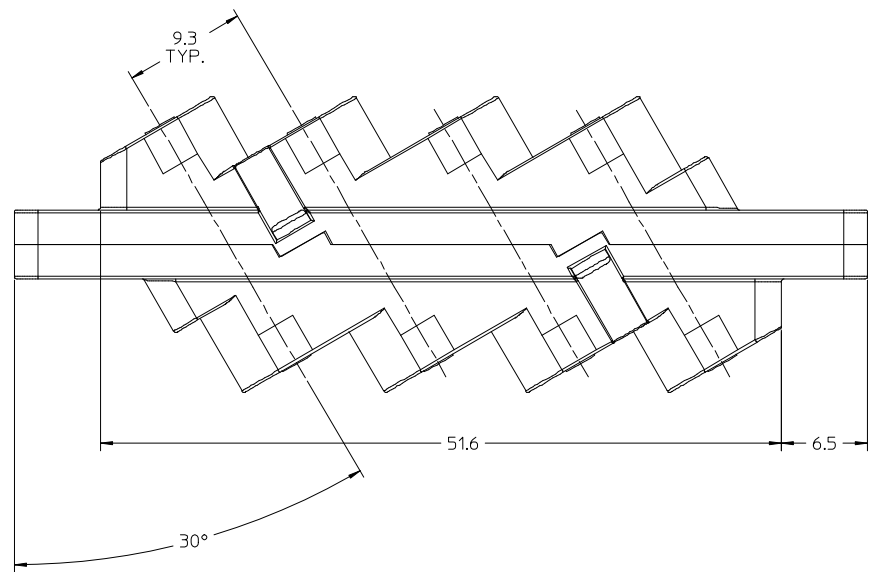
## Contact us

Tel: +86-755-8981 8866 Fax: +86-755-8427 6832

Email & Skype: info@chipsmall.com Web: www.chipsmall.com

Address: A1208, Overseas Decoration Building, #122 Zhenhua RD., Futian, Shenzhen, China





NOTE:  
USE 3mm SCREWS AND NUTS FOR MOUNTING  
(NOT PROVIDED).

<b>ENTER DESCRIPTION</b> EC NO: MF2012-0454 DRAWN: BEDNYAK 2012/03/20 CHKD: IGUMIN APPR: IGUMIN 2012/03/23 REV: A1	<b>QUALITY SYMBOLS</b> ▽=0 ▽=0	<b>GENERAL TOLERANCES (UNLESS SPECIFIED)</b> <table border="1"> <thead> <tr> <th></th> <th>mm</th> <th>INCH</th> </tr> </thead> <tbody> <tr> <td>4 PLACES ±</td> <td>---</td> <td>±---</td> </tr> <tr> <td>3 PLACES ±</td> <td>---</td> <td>±---</td> </tr> <tr> <td>2 PLACES ±</td> <td>---</td> <td>±---</td> </tr> <tr> <td>1 PLACE ±</td> <td>---</td> <td>±---</td> </tr> </tbody> </table>		mm	INCH	4 PLACES ±	---	±---	3 PLACES ±	---	±---	2 PLACES ±	---	±---	1 PLACE ±	---	±---	<b>DIMENSION STYLE</b> <b>MM ONLY</b> DRAWN BY: IGUMIN DATE: 2007/11/09 CHECKED BY: DATE:	<b>SCALE</b> N.T.S. <b>DESIGN UNITS</b> INCH <b>THIRD ANGLE PROJECTION</b>	<b>TITLE</b> MTP QUAD ADAPTER, 30 DEGREE
		mm	INCH																	
	4 PLACES ±	---	±---																	
	3 PLACES ±	---	±---																	
2 PLACES ±	---	±---																		
1 PLACE ±	---	±---																		
DRAFT WHERE APPLICABLE MUST REMAIN WITHIN DIMENSIONS	<b>APPROVED BY</b> IGUMIN DATE: 2007/11/09	<b>MATERIAL NO.</b> 1061810020	<b>DOCUMENT NO.</b> SD-106181-0020	<b>SHEET NO.</b> 1 OF 1	<b>MOLEX INCORPORATED</b>															
THIS DRAWING CONTAINS INFORMATION THAT IS PROPRIETARY TO MOLEX INCORPORATED AND SHOULD NOT BE USED WITHOUT WRITTEN PERMISSION																				
MTP QUAD ADAPTER, 30 DEGREE																				