



Chipsmall Limited consists of a professional team with an average of over 10 year of expertise in the distribution of electronic components. Based in Hongkong, we have already established firm and mutual-benefit business relationships with customers from,Europe,America and south Asia,supplying obsolete and hard-to-find components to meet their specific needs.

With the principle of “Quality Parts,Customers Priority,Honest Operation,and Considerate Service”,our business mainly focus on the distribution of electronic components. Line cards we deal with include Microchip,ALPS,ROHM,Xilinx,Pulse,ON,Everlight and Freescale. Main products comprise IC,Modules,Potentiometer,IC Socket,Relay,Connector.Our parts cover such applications as commercial,industrial, and automotives areas.

We are looking forward to setting up business relationship with you and hope to provide you with the best service and solution. Let us make a better world for our industry!



Contact us

Tel: +86-755-8981 8866 Fax: +86-755-8427 6832

Email & Skype: info@chipsmall.com Web: www.chipsmall.com

Address: A1208, Overseas Decoration Building, #122 Zhenhua RD., Futian, Shenzhen, China



4

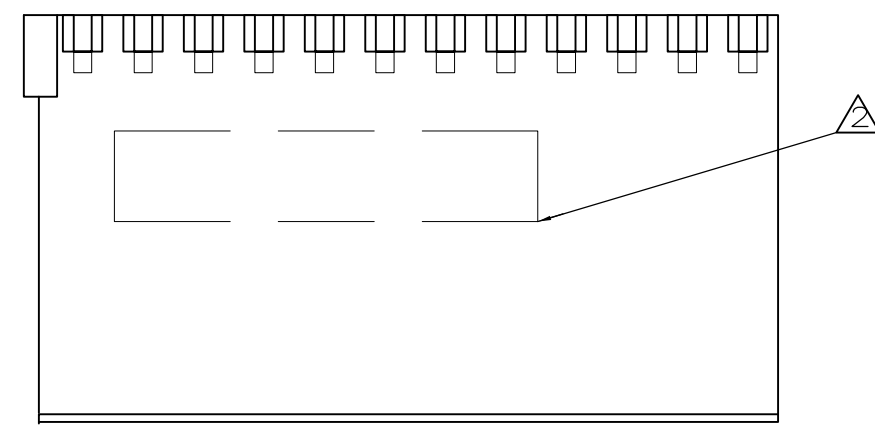
3

2

1

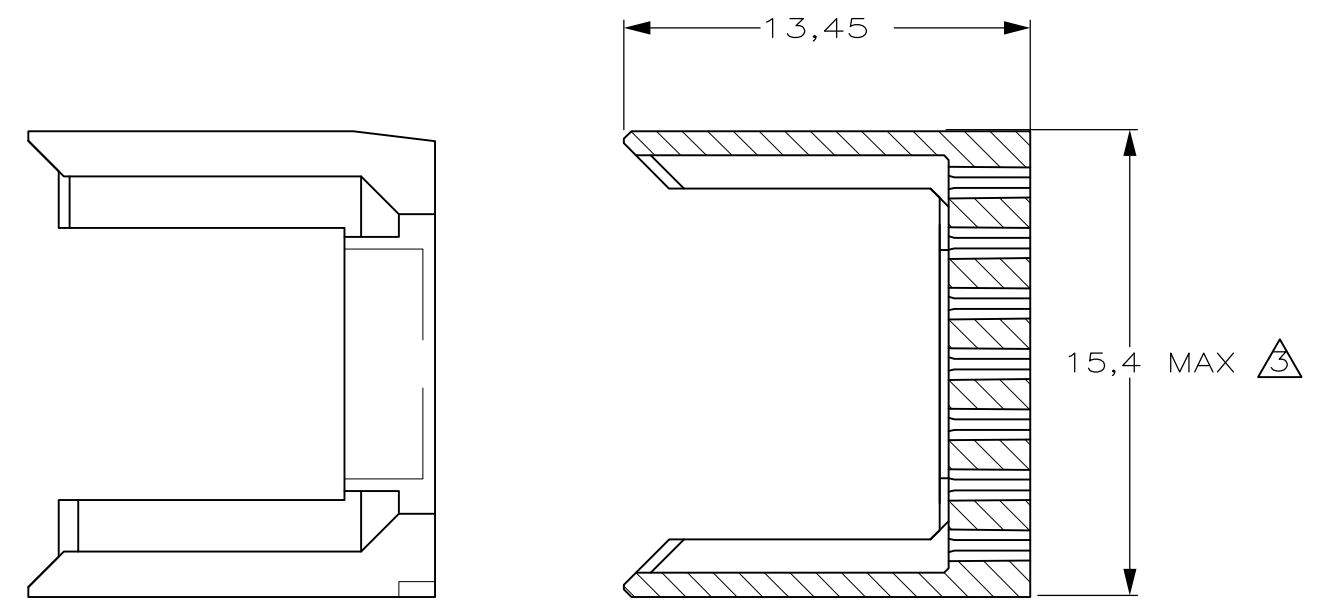
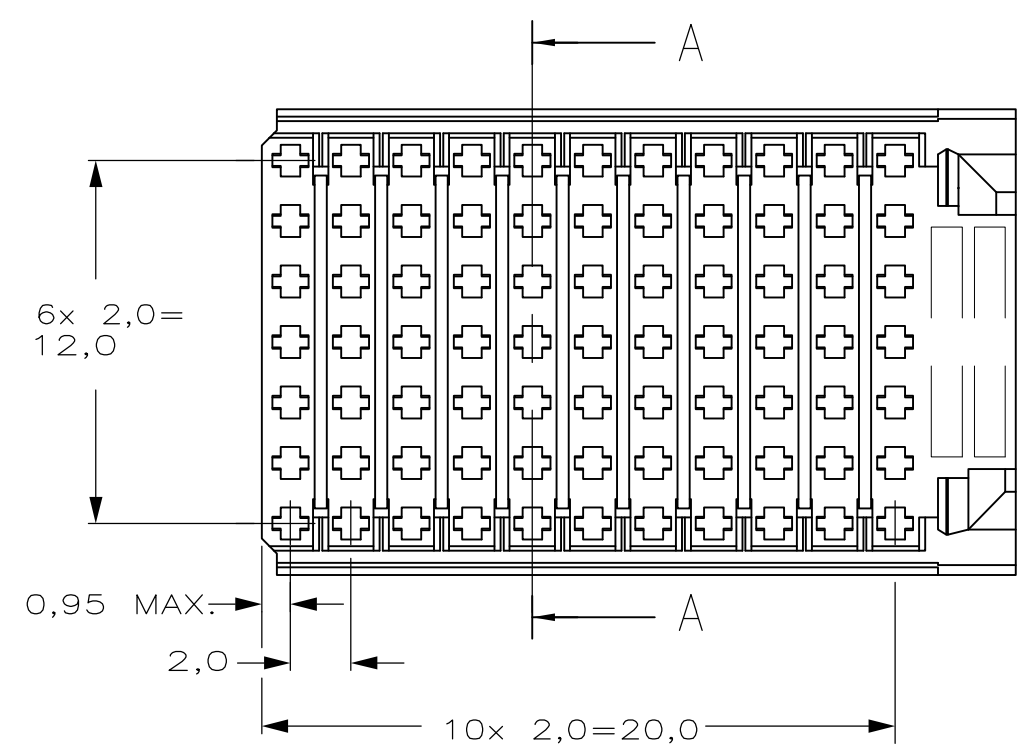
THIS DRAWING IS UNPUBLISHED. RELEASED FOR PUBLICATION
 © COPYRIGHT - By - ALL RIGHTS RESERVED.

LOC	DIST	REVISIONS					
		P	LTR	DESCRIPTION	DATE	DWN	APVD
-	GW		E	PER ECR-14-009843	040714	FL	FY



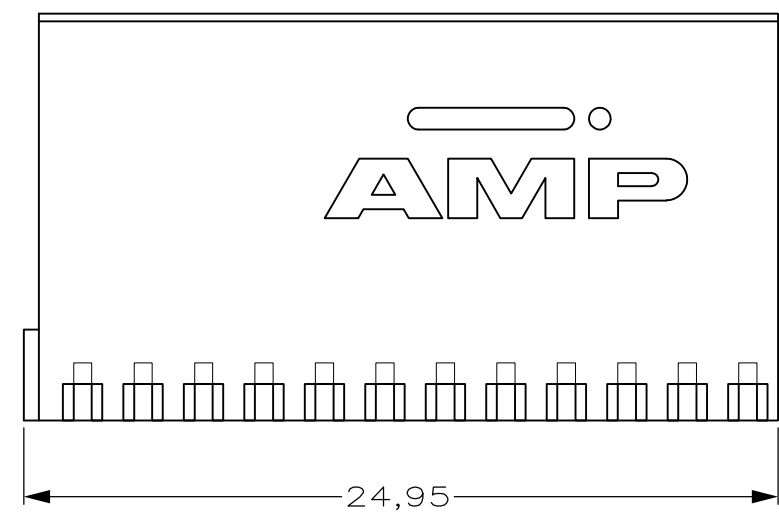
NOTES:

- 1 MATERIAL HOUSING: GLASSFILLED POLYESTER.
- 2 HOUSING PRINTED WITH PARTNUMBER AND DATE CODE. (OTHER MARKING OPTIONAL)
- 3 TO BE MEASURED AT BOTTOM OF SHROUD



SECTION A-A

106182-2 AS SHOWN



THIS DRAWING IS A CONTROLLED DOCUMENT.		DWN D. TRUREN 20NOV01	TE Connectivity			
DIMENSIONS: mm		CHK F.v.KONINGSBRUGGE 21-JUN-96				
TOLERANCES UNLESS OTHERWISE SPECIFIED:		APVD B. MOOIJ	NAME			
0 PLC ± - 1 PLC ± - 2 PLC ± - 3 PLC ± - 4 PLC ± - ANGLES ± -		PRODUCT SPEC 108-19082	Z-PACK 2mm HM 55 POS. SHROUD TYPE C			
MATERIAL		APPLICATION SPEC 114-19029	SIZE	CAGE CODE	DRAWING NO	RESTRICTED TO
FINISH		WEIGHT	A3	00779	C-106182	-
CUSTOMER DRAWING			SCALE	SHEET	REV	
			-	1 OF 1	E	