



Chipsmall Limited consists of a professional team with an average of over 10 year of expertise in the distribution of electronic components. Based in Hongkong, we have already established firm and mutual-benefit business relationships with customers from,Europe,America and south Asia,supplying obsolete and hard-to-find components to meet their specific needs.

With the principle of “Quality Parts,Customers Priority,Honest Operation,and Considerate Service”,our business mainly focus on the distribution of electronic components. Line cards we deal with include Microchip,ALPS,ROHM,Xilinx,Pulse,ON,Everlight and Freescale. Main products comprise IC,Modules,Potentiometer,IC Socket,Relay,Connector.Our parts cover such applications as commercial,industrial, and automotives areas.

We are looking forward to setting up business relationship with you and hope to provide you with the best service and solution. Let us make a better world for our industry!



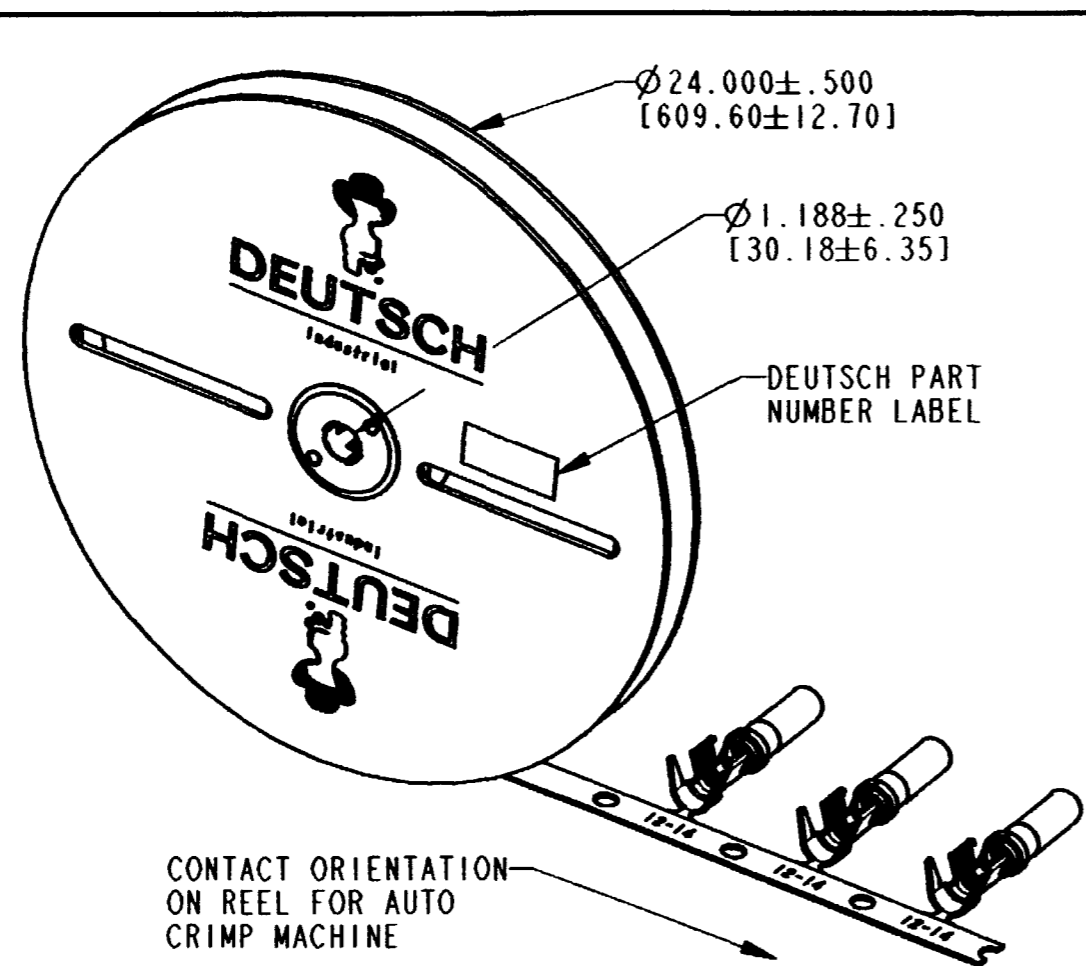
Contact us

Tel: +86-755-8981 8866 Fax: +86-755-8427 6832

Email & Skype: info@chipsmall.com Web: www.chipsmall.com

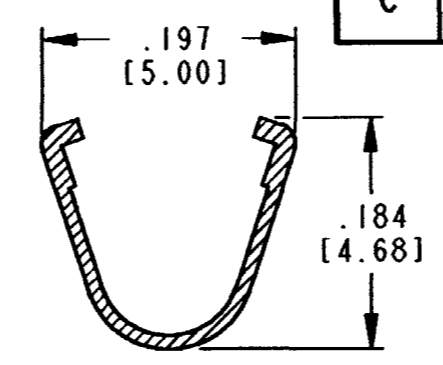
Address: A1208, Overseas Decoration Building, #122 Zhenhua RD., Futian, Shenzhen, China



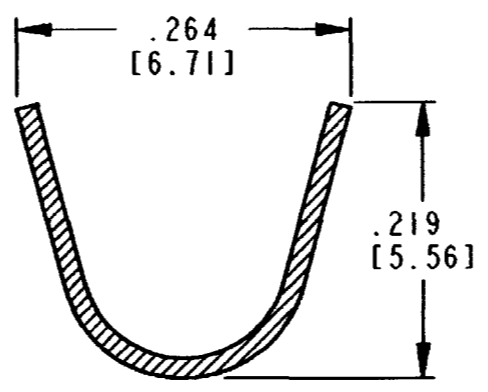


REV C 1062-12-01 **

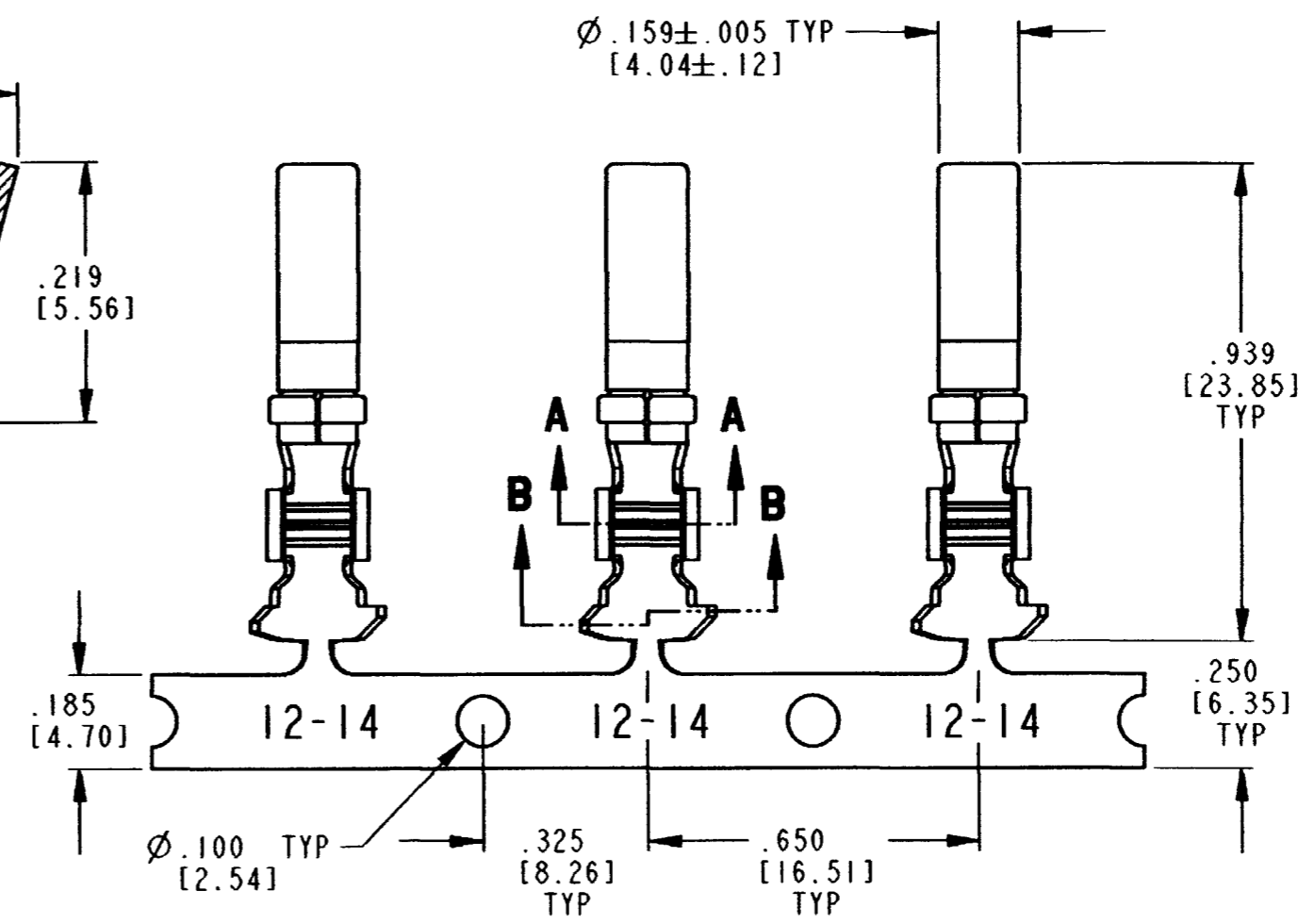
REVISIONS			
SYM	DESCRIPTION	DATE	APPROVED
NC	NEW RELEASE PER E.O. P15224	02-17-97	R.D.R.
A	REVISED PER E.O. P15646	05-29-98	R.D.R.
B	REVISED PER E.O. P16979	12-08-00	R.D.R.
C	REVISED PER E.O. P19555	7-11-07	ADR



SECTION A-A
CONDUCTOR WINGS



SECTION B-B
INSULATION WINGS



7. CONTACT MATERIAL CONTAINS 94% COPPER MINIMUM. CONTACT SLEEVE IS STAINLESS STEEL.
6. WHEN ** = 44 PLATING IS GOLD.
** = 66 PLATING IS TIN/NICKEL.
5. SEE 0425-015-0000 FOR CONTACT PERFORMANCE AND WIRE APPLICATION CHARACTERISTICS.
4. THIS CONTACT MAY BE CRIMPED WITH DCT12-02-00 AUTOMATIC DIE OR DTT-12-00 HAND TOOL. SEE DRAWING 0425-208-0000 FOR APPLICABLE WIRE SIZE, INSULATION DIAMETER RANGE, AND CRIMPING INFORMATION.
3. ONE REEL CONTAINS APPROXIMATELY 2500 CONTACTS.
2. DIMENSION TOLERANCE: ±.025 [.64].
1. DIMENSIONS ARE IN INCHES [mm].

NOTES: UNLESS OTHERWISE SPECIFIED

SIGNATURE & DATE		STAMPED CONTACT SOCKET SIZE 12	EP EP058	MATL. CODE
DR	D. MEYER 11/14/00		The Deutch Company DEUTSCH I.P.D. 3850 INDUSTRIAL AVE. HEMET, CALIF. 92545	
CHK	<i>[Signature]</i> 7/11/07	ENVELOPE	B 1062-12-01 **	
PE	<i>[Signature]</i> 7/10/07		DWG SIZE	CODE 11139
APPD	R. Rad 7-11-07			
SCALE	NONE WT			