



Chipsmall Limited consists of a professional team with an average of over 10 year of expertise in the distribution of electronic components. Based in Hongkong, we have already established firm and mutual-benefit business relationships with customers from,Europe,America and south Asia,supplying obsolete and hard-to-find components to meet their specific needs.

With the principle of "Quality Parts,Customers Priority,Honest Operation,and Considerate Service",our business mainly focus on the distribution of electronic components. Line cards we deal with include Microchip,ALPS,ROHM,Xilinx,Pulse,ON,Everlight and Freescale. Main products comprise IC,Modules,Potentiometer,IC Socket,Relay,Connector.Our parts cover such applications as commercial,industrial, and automotives areas.

We are looking forward to setting up business relationship with you and hope to provide you with the best service and solution. Let us make a better world for our industry!



Contact us

Tel: +86-755-8981 8866 Fax: +86-755-8427 6832

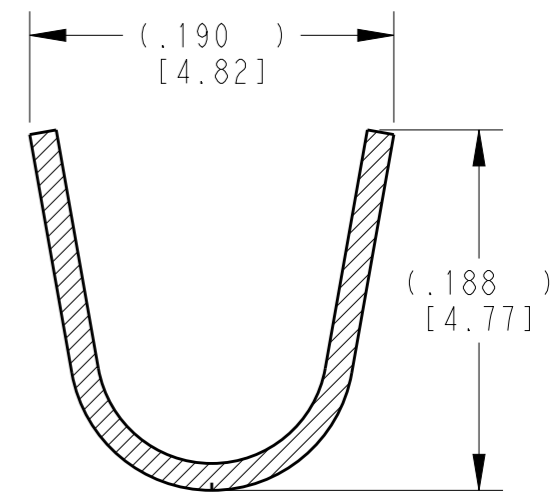
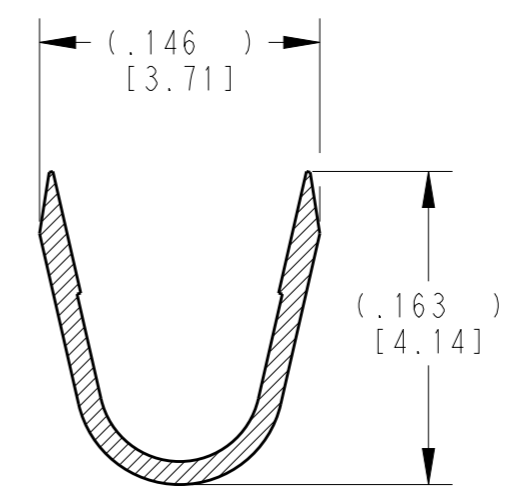
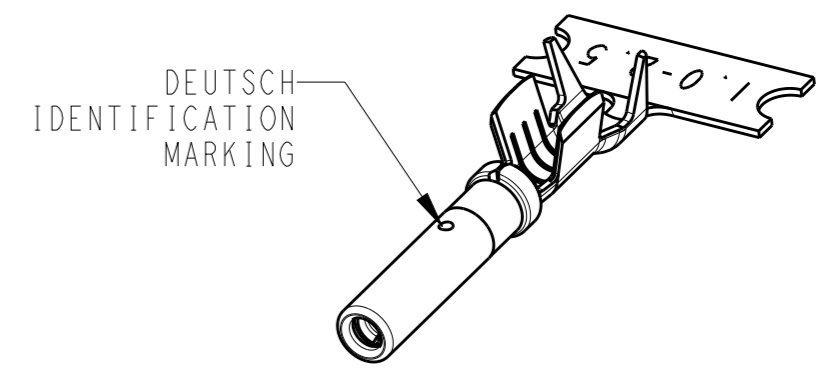
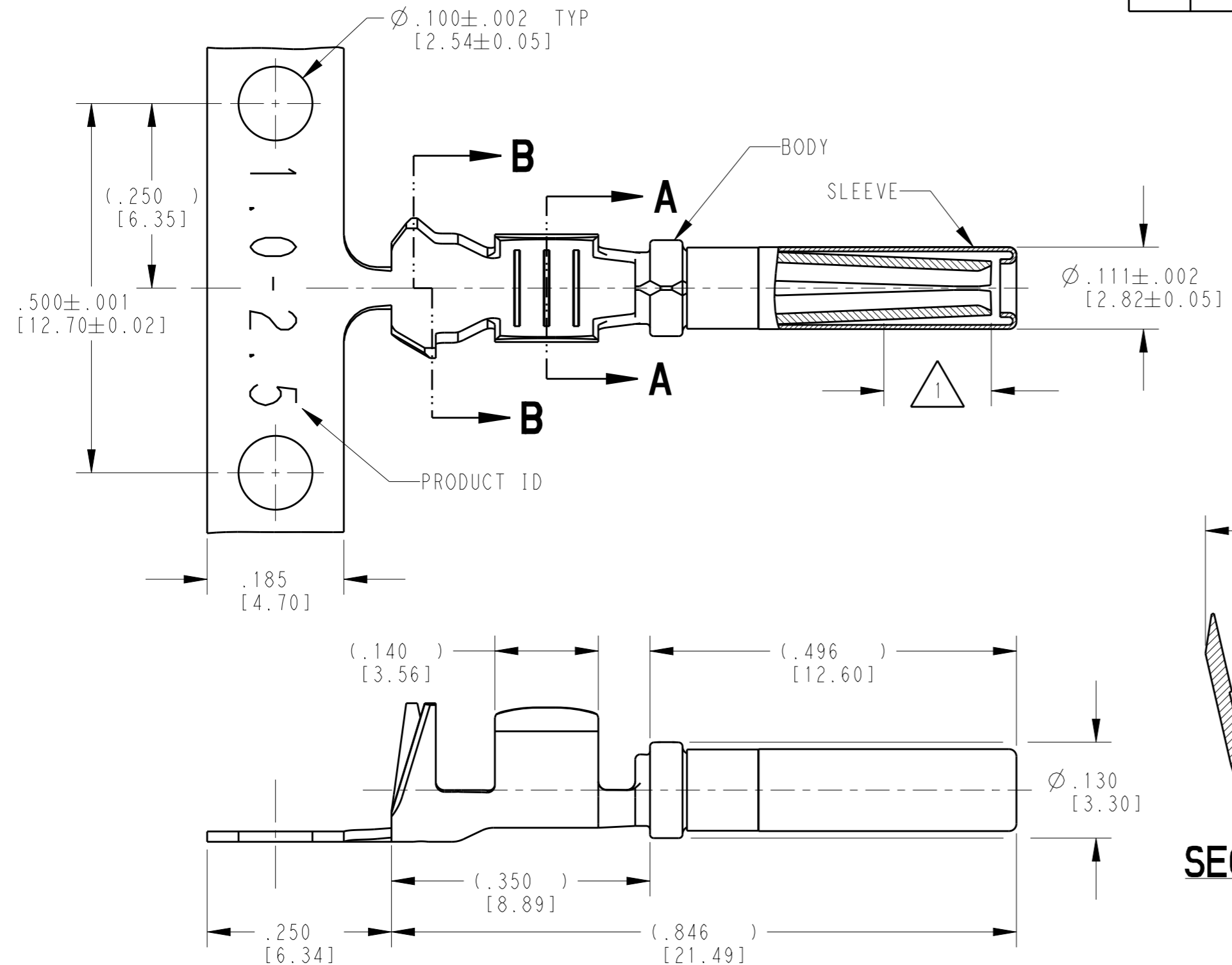
Email & Skype: info@chipsmall.com Web: www.chipsmall.com

Address: A1208, Overseas Decoration Building, #122 Zhenhua RD., Futian, Shenzhen, China



THIS DRAWING IS UNPUBLISHED
 RELEASED FOR PUBLICATION 2015
 © COPYRIGHT 2000 BY TE CONNECTIVITY ALL RIGHTS RESERVED.

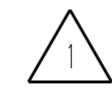
LOC		DIST		REVISIONS			
P	LTR	DESCRIPTION	DATE	DWN	APVD		
	NC	NEW RELEASE PER E.O. PI7672	14MAR2002	DM	RDR		
	A	REVISED PER E.O. PI9555	11JUL2007	JA	RDR		
	B	REVISED PER E.O. P20396	25JUN2010	JA	RDR		
	C	REVISED PER ECO-15-007761	28MAY2015	RL	DM		



- 3 MATERIAL:
 BODY: .014 [0.36] THICK COPPER ALLOY
 SLEEVE: STAINLESS STEEL
- 2. WIRE RANGE: 16 AWG TO 12 AWG [1.0-2.5 mm²]
 INSULATION RANGE: $\varnothing .075$ -.140 [$\varnothing 1.91$ -3.56]
- 1 APPLIES ONLY TO SELECTIVE GOLD 1062-16-1244.
 INDICATED DIMENSION SHOWS GOLD PLATED AREA.

NOTES: UNLESS OTHERWISE SPECIFIED

THIS DRAWING IS A CONTROLLED DOCUMENT.		DWN 28 JUN 2000 VLADIMIR TOMSA
DIMENSIONS: mm [INCHES]		CHK 14 MAR 2002 BRICE BYFORD
TOLERANCES UNLESS OTHERWISE SPECIFIED:		APVD 14 MAR 2000 ROBIN REED
0 PLC ±	1 PLC ±	PRODUCT SPEC 0425-015-0000
2 PLC ±	3 PLC ±	APPLICATION SPEC 0425-039-0000
4 PLC ±	ANGLES ±	WEIGHT 0.50 g
MATERIAL 3	FINISH SEE TABLE	Customer Drawing



TE INTERNAL PN	DEUTSCH PN	PLATING
1062-16-1222	1062-16-1222	NICKEL
1062-16-1244	1062-16-1244	SELECTIVE GOLD
1062-16-1277	1062-16-1277	TIN



NAME SOCKET, STAMPED AND FORMED SIZE 16 12-16AWG			
SIZE A3	CAGE CODE 4AFU8	DRAWING NO C=1062-16-12XX	RESTRICTED TO -
SCALE 6:1		SHEET 1 OF 1	REV C