



Chipsmall Limited consists of a professional team with an average of over 10 year of expertise in the distribution of electronic components. Based in Hongkong, we have already established firm and mutual-benefit business relationships with customers from,Europe,America and south Asia,supplying obsolete and hard-to-find components to meet their specific needs.

With the principle of "Quality Parts,Customers Priority,Honest Operation,and Considerate Service",our business mainly focus on the distribution of electronic components. Line cards we deal with include Microchip,ALPS,ROHM,Xilinx,Pulse,ON,Everlight and Freescale. Main products comprise IC,Modules,Potentiometer,IC Socket,Relay,Connector.Our parts cover such applications as commercial,industrial, and automotives areas.

We are looking forward to setting up business relationship with you and hope to provide you with the best service and solution. Let us make a better world for our industry!



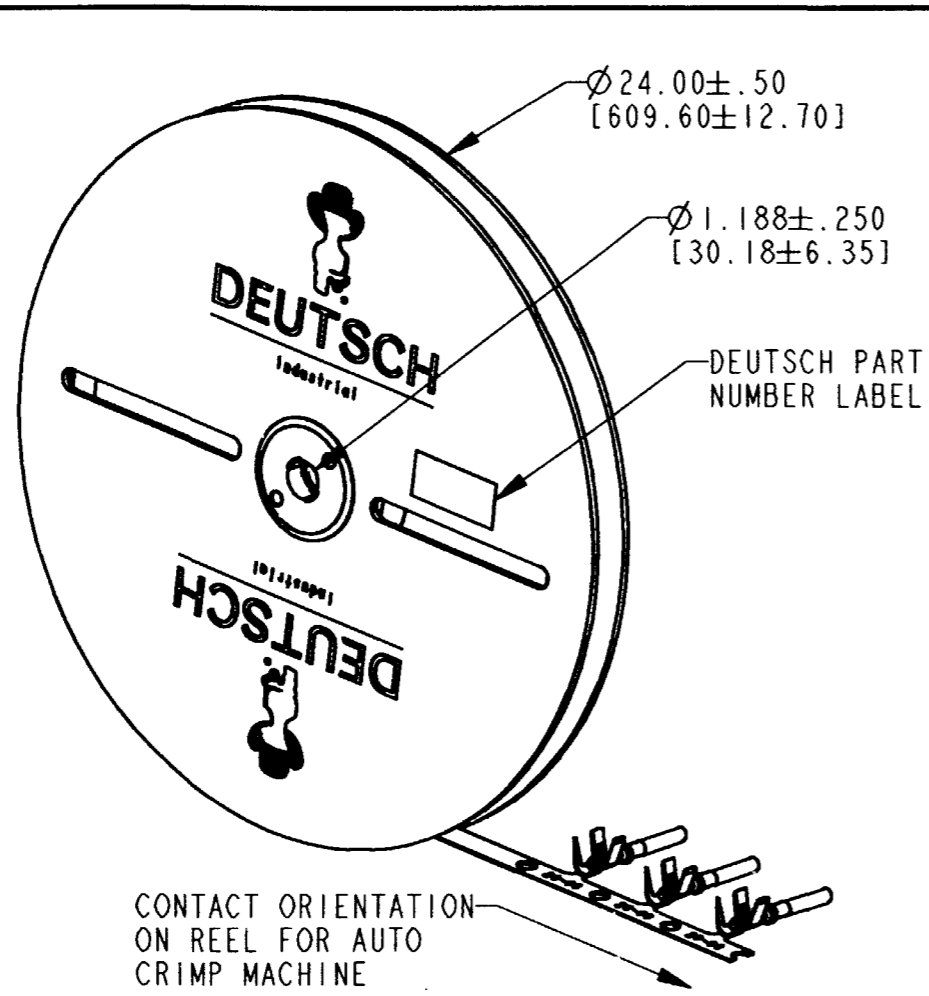
Contact us

Tel: +86-755-8981 8866 Fax: +86-755-8427 6832

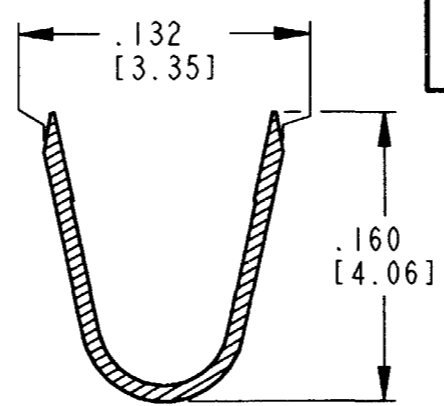
Email & Skype: info@chipsmall.com Web: www.chipsmall.com

Address: A1208, Overseas Decoration Building, #122 Zhenhua RD., Futian, Shenzhen, China

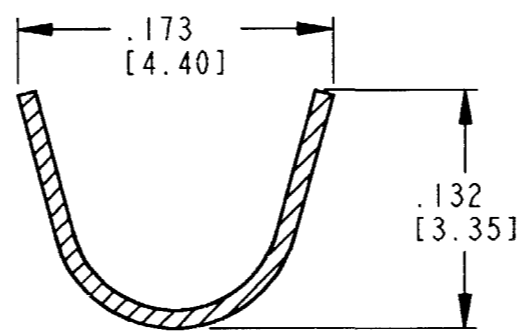




CONTACT ORIENTATION ON REEL FOR AUTO CRIMP MACHINE



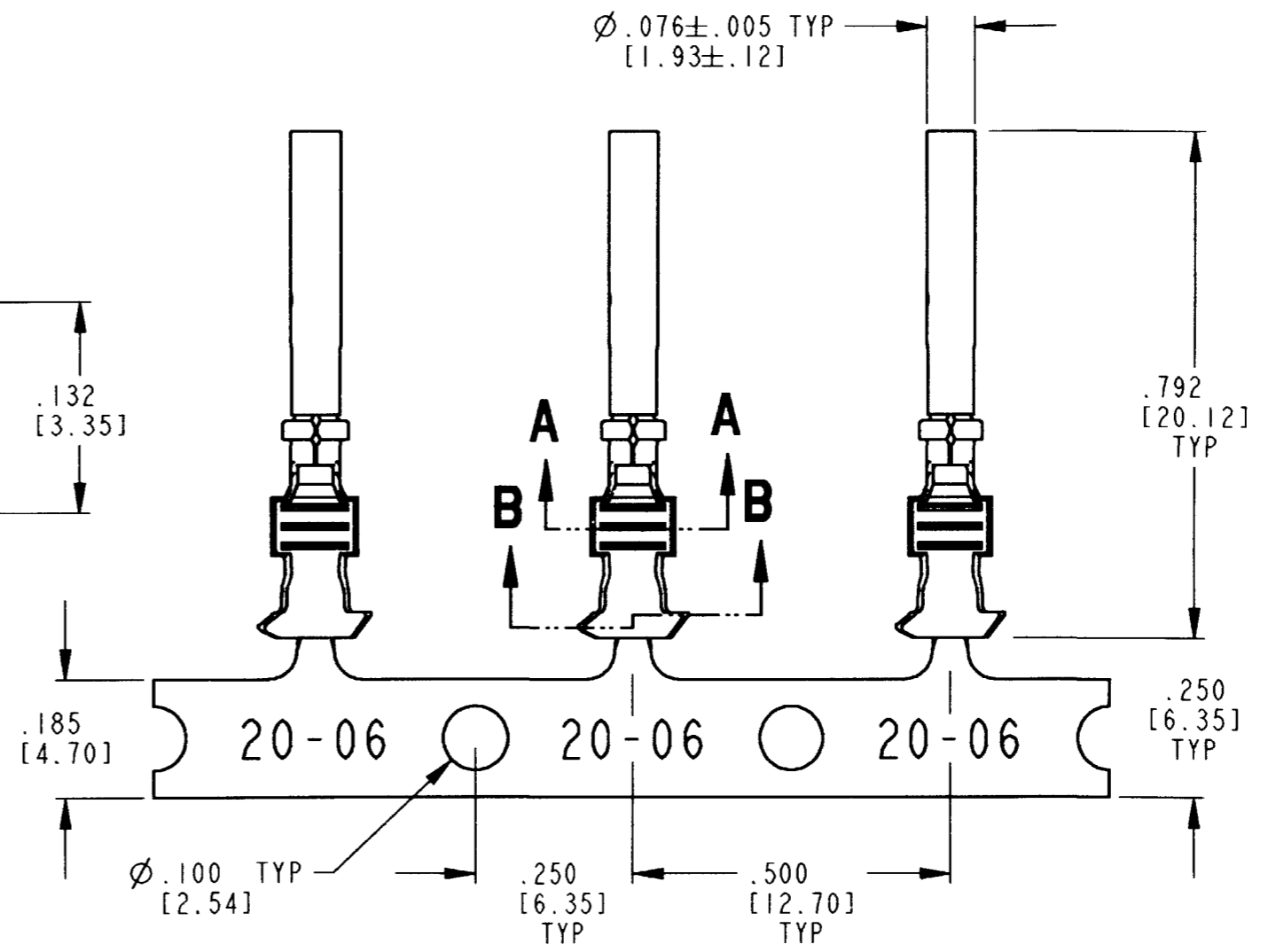
SECTION A-A
CONDUCTOR WINGS



SECTION B-B
INSULATION WINGS

REV C 1062-20-06* *

REVISIONS			
SYM	DESCRIPTION	DATE	APPROVED
NC	NEW RELEASE PER E.O. P19553	6-25-07	R.D.R.
A	RELEASE PER E.O. P19675	1-29-08	R.D.R.
B	RELEASE PER E.O. P19866	6-26-08	R.D.R.
C	RELEASE PER E.O. P20392	12-3-09	RDR



7. CONTACT BODY MATERIAL: COPPER ALLOY;
CONTACT SLEEVE MATERIAL: STAINLESS STEEL.
 6. WHEN ** = 22 PLATING IS NICKEL.
 ** = 44 PLATING IS GOLD.
 ** = 77 PLATING IS TIN.
 5. SEE 0425-015-0000 FOR CONTACT PERFORMANCE AND WIRE APPLICATION CHARACTERISTICS.
 4. THIS CONTACT MAY BE CRIMPED WITH DCT20-02-00 OR DTC1620-02-00 AUTOMATIC DIE OR DTT-20-03 HAND TOOL. SEE DRAWING 0425-207-0000 OR 0425-059-0000 FOR APPLICABLE WIRE SIZE, INSULATION DIAMETER RANGE, AND CRIMPING INFORMATION.
 3. ONE REEL CONTAINS APPROXIMATELY 4000 CONTACTS.
 2. DIMENSIONAL TOLERANCE: ±.025 [0.64].
 1. DIMENSIONS ARE IN INCHES [mm].
- NOTES: UNLESS OTHERWISE SPECIFIED

SIGNATURE & DATE	
DR	J. APOSTOL 30MAY2007
CHK	Dmax 12/2/09
PE	Dmax 12/2/09
APPD	R. Rued 12-3-09
SCALE	NONE
WT	

STAMPED CONTACT
SOCKET
SIZE 20

ENVELOPE

EP 178	MATL. CODE
3850 INDUSTRIAL AVE. HEMET, CA 92545	
B 1062-20-06* *	
DWG SIZE	CODE 11139 SHEET OF