



Chipsmall Limited consists of a professional team with an average of over 10 year of expertise in the distribution of electronic components. Based in Hongkong, we have already established firm and mutual-benefit business relationships with customers from,Europe,America and south Asia,supplying obsolete and hard-to-find components to meet their specific needs.

With the principle of “Quality Parts,Customers Priority,Honest Operation,and Considerate Service”,our business mainly focus on the distribution of electronic components. Line cards we deal with include Microchip,ALPS,ROHM,Xilinx,Pulse,ON,Everlight and Freescale. Main products comprise IC,Modules,Potentiometer,IC Socket,Relay,Connector.Our parts cover such applications as commercial,industrial, and automotives areas.

We are looking forward to setting up business relationship with you and hope to provide you with the best service and solution. Let us make a better world for our industry!



## Contact us

Tel: +86-755-8981 8866 Fax: +86-755-8427 6832

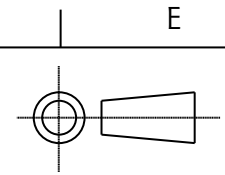
Email & Skype: info@chipsmall.com Web: www.chipsmall.com

Address: A1208, Overseas Decoration Building, #122 Zhenhua RD., Futian, Shenzhen, China



ISS.	DATE	E.C.N.	DESCRIPTION
1	25-Feb-09		FIRST ISSUE

© 2006 CARCLO  
ALL DIMENSIONS IN mm



CARCLO TECHNICAL PLASTICS (SLOUGH)  
111 BUCKINGHAM AVE, SLOUGH  
SL1 4PF, ENGLAND  
TEL: +44 1753 575011 FAX: +44 1753 811359  
e-mail: design@carclo-optics.com}

CUSTOMER DRAWING

GENERAL TOLERANCES (UNLESS STATED)

LINEAR	ANGULAR
X +/- 0.25	X +/- 1°
X.X +/- 0.1	X.X +/- 0.5°
X.XX +/- 0.05	X.XX +/- 0.1°

CUSTOMER

CARCLO

TITLE

UNIFORM HEMI-SPHERICAL  
EMITTER BUBBLE OPTIC

DRAWN **AJD** DATE **25-Feb-09**

CHK'D \_\_\_\_\_ DATE \_\_\_\_\_

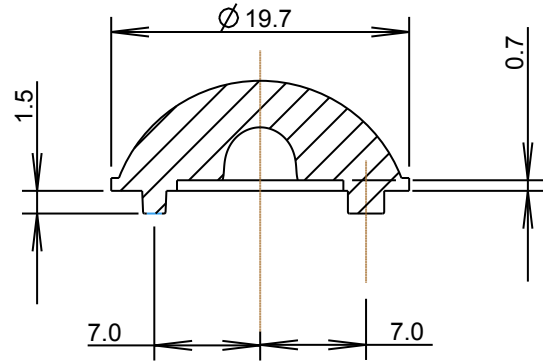
APP'D \_\_\_\_\_ DATE \_\_\_\_\_

SCALE	CARCLO PART No.
2:1	10620

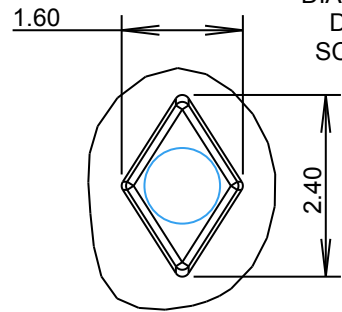
SIZE	CARCLO DRG. No.	SHEET
A4	60570	1 OF 2

MATERIAL: POLYCARBONATE

SECTION A-A  
SCALE 2:1

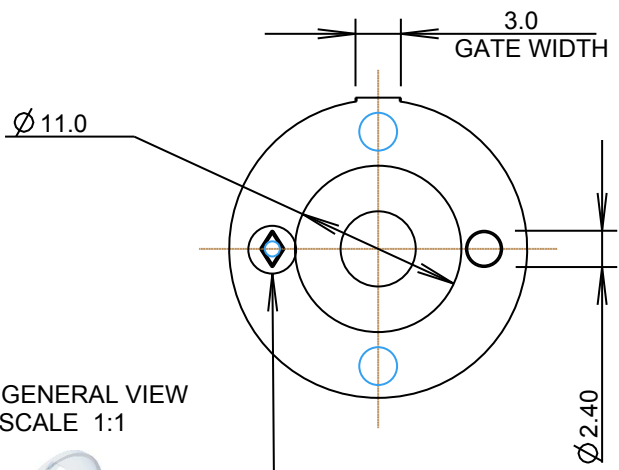


DIAMOND DOWEL  
DETAIL C  
SCALE 10:1

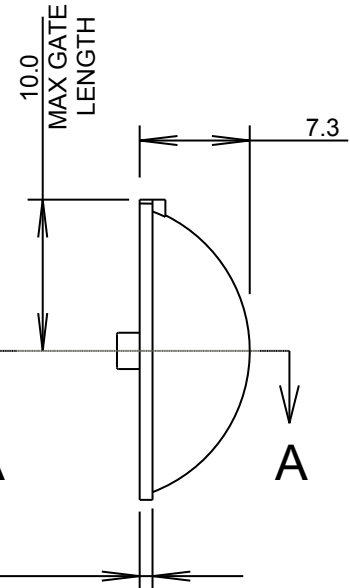


3

3.0  
GATE WIDTH



3D GENERAL VIEW  
SCALE 1:1



4

5

DIAMOND DOWEL  
SEE DETAIL C

A

B

C

D

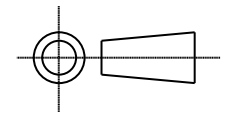
E

F

G

ISS.	DATE	E.C.N.	DESCRIPTION
1	25-Feb-09		FIRST ISSUE

© 2006 CARCLO  
ALL DIMENSIONS IN mm



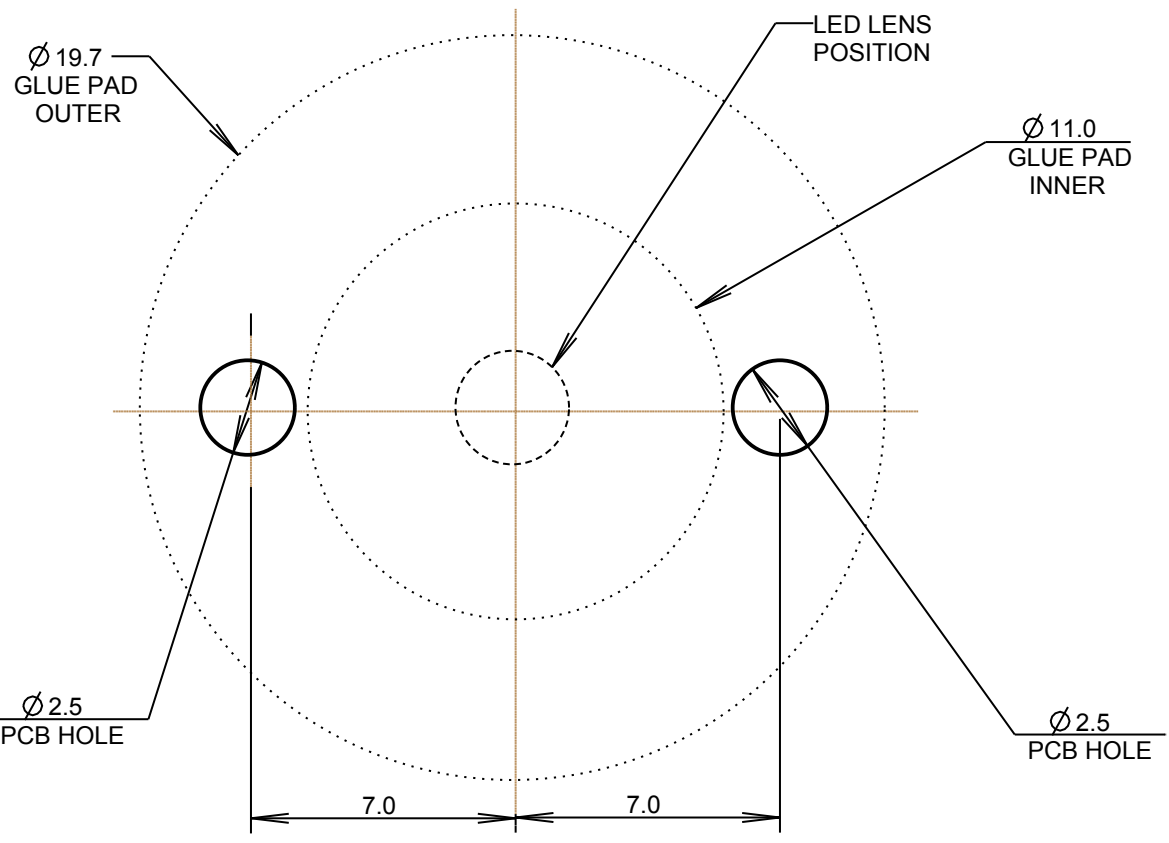
CARCLO TECHNICAL PLASTICS (SLOUGH)  
111 BUCKINGHAM AVE, SLOUGH  
SL1 4PF, ENGLAND  
TEL: +44 1753 575011 FAX: +44 1753 811359  
e-mail: design@carclo-optics.com}

PCB GLUE PAD AND ALIGNMENT HOLE LAYOUT DIMENSIONS

GENERAL TOLERANCES (UNLESS STATED)

LINEAR	ANGULAR
X +/- 0.25	X +/- 1°
X.X +/- 0.1	X.X +/- 0.5°
X.XX +/- 0.05	X.XX +/- 0.1°

CUSTOMER		
CARCLO		
TITLE		
UNIFORM HEMI-SPHERICAL EMITTER BUBBLE OPTIC		
DRAWN	DATE	
AJD	25-Feb-09	
CHK'D	DATE	
APP'D	DATE	
SCALE	CARCLO PART No.	
5:1	10620	
SIZE	CARCLO DRG. No.	SHEET
A4	60570	2 OF 2



NOTE: THE CLOSEST THAT TWO OR MORE LENSES CAN BE PLACED TOGETHER WITHOUT OBSCURATION IS 27MM BETWEEN CENTRES.