



Chipsmall Limited consists of a professional team with an average of over 10 year of expertise in the distribution of electronic components. Based in Hongkong, we have already established firm and mutual-benefit business relationships with customers from,Europe,America and south Asia,supplying obsolete and hard-to-find components to meet their specific needs.

With the principle of “Quality Parts,Customers Priority,Honest Operation,and Considerate Service”,our business mainly focus on the distribution of electronic components. Line cards we deal with include Microchip,ALPS,ROHM,Xilinx,Pulse,ON,Everlight and Freescale. Main products comprise IC,Modules,Potentiometer,IC Socket,Relay,Connector.Our parts cover such applications as commercial,industrial, and automotives areas.

We are looking forward to setting up business relationship with you and hope to provide you with the best service and solution. Let us make a better world for our industry!



## Contact us

Tel: +86-755-8981 8866 Fax: +86-755-8427 6832

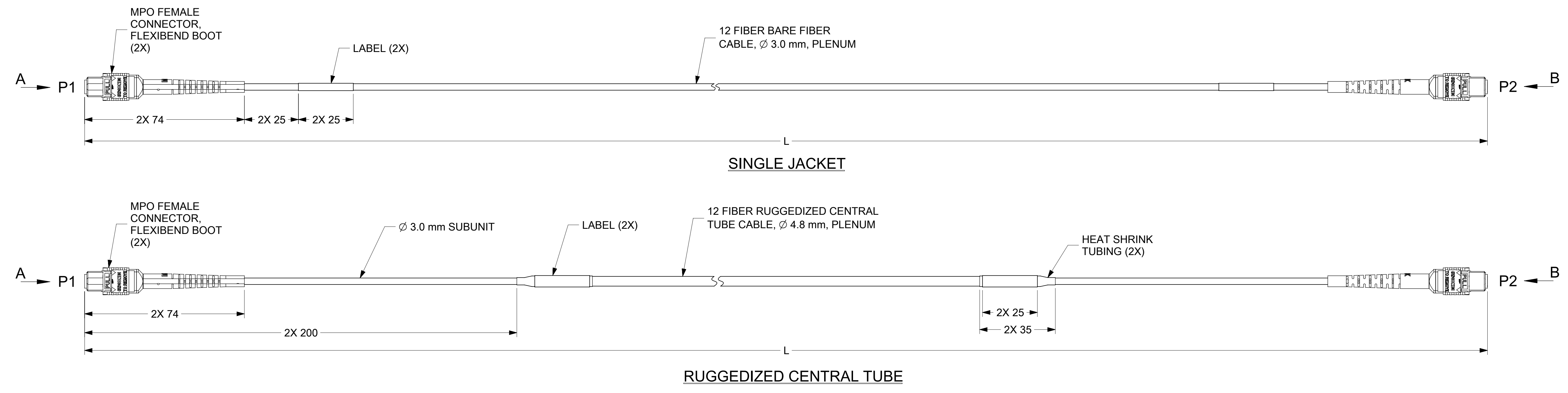
Email & Skype: info@chipsmall.com Web: www.chipsmall.com

Address: A1208, Overseas Decoration Building, #122 Zhenhua RD., Futian, Shenzhen, China

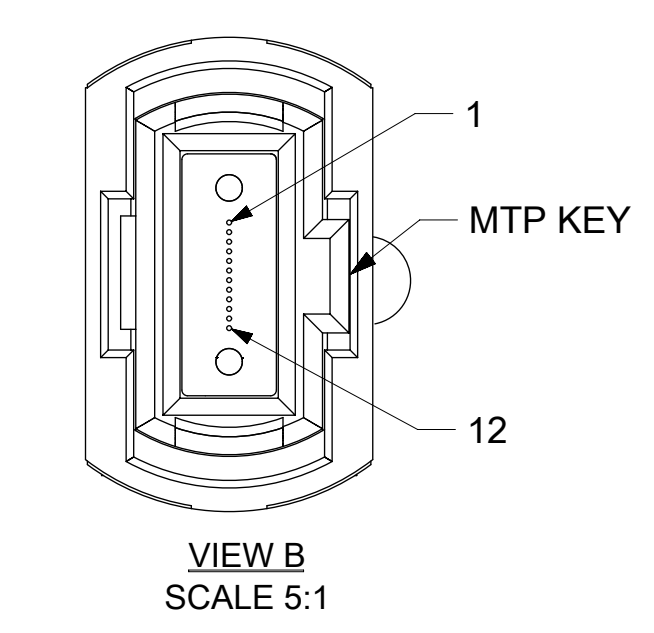
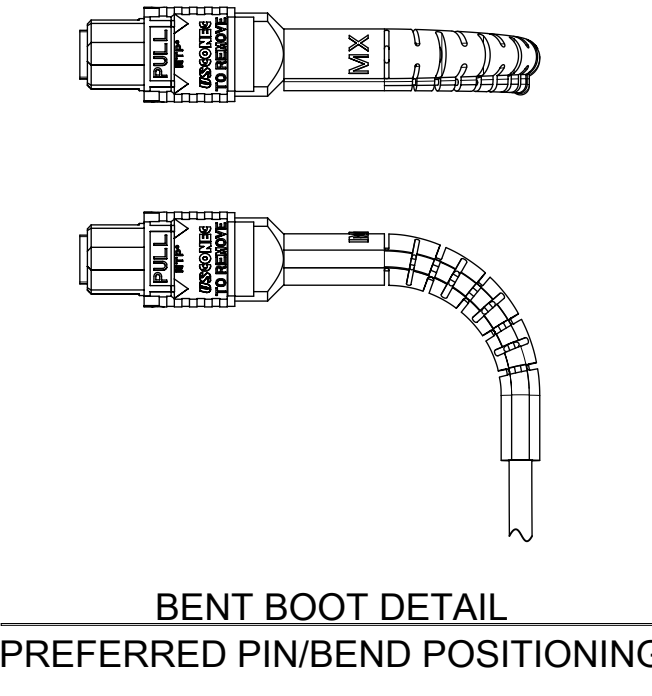
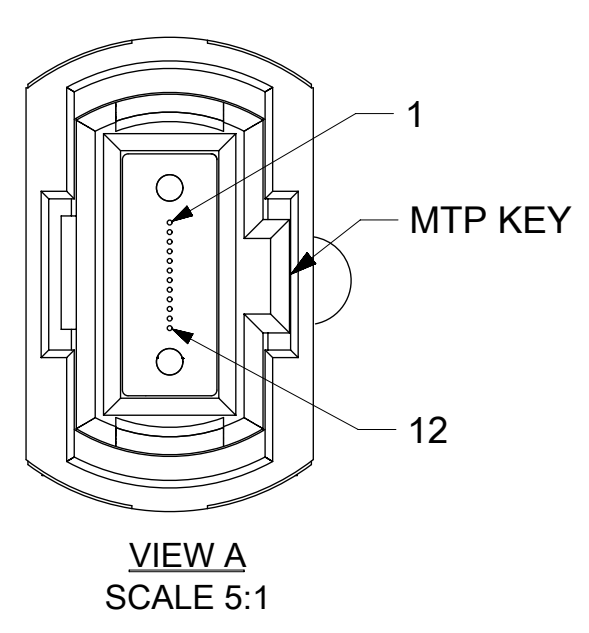


TRUNK CABLE P/N	OVERALL LENGTH, L (m)	CABLE TYPE	FIBER TYPE	CONNECTOR/CABLE COLOR	INSERTION LOSS	RETURN LOSS
1062250073	1.0 +0.2 / -0	SINGLE JACKET	MM 50/125 μm OM3 BIF	AQUA / AQUA	0.35 dB @ 850 nm	---
1062250074	3.0 +0.2 / -0					
1062250075	5.0 +0.2 / -0					
1062250025	10.0 +0.2 / -0					
1062250076	15.0 +0.3 / -0					
1062250026	25.0 +0.5 / -0	RUGGEDIZED CENTRAL TUBE	MM 50/125 μm OM3 BIF	AQUA / AQUA	0.35 dB @ 850 nm	---
1062250027	50.0 +1.0 / -0					
1062250028	100.0 +2.0 / -0					
1062250077	1.0 +0.2 / -0	SINGLE JACKET	MM 50/125 μm OM4 BIF	AQUA / AQUA	0.35 dB @ 850 nm	---
1062250078	3.0 +0.2 / -0					
1062250079	5.0 +0.2 / -0					
1062250029	10.0 +0.2 / -0					
1062250080	15.0 +0.3 / -0					
1062250030	25.0 +0.5 / -0	RUGGEDIZED CENTRAL TUBE	MM 50/125 μm OM4 BIF	AQUA / AQUA	0.35 dB @ 850 nm	---
1062250031	50.0 +1.0 / -0					
1062250032	100.0 +2.0 / -0					
1062250081	1.0 +0.2 / -0	SINGLE JACKET	SM 9/125 μm OS2 ITU-T G.657.A1 BIF	YELLOW / YELLOW	0.35 dB @ 1550 nm	- 50 dB @ 1550 nm
1062250082	3.0 +0.2 / -0					
1062250083	5.0 +0.2 / -0					
1062250033	10.0 +0.2 / -0					
1062250084	15.0 +0.3 / -0					
1062250034	25.0 +0.5 / -0	RUGGEDIZED CENTRAL TUBE	SM 9/125 μm OS2 ITU-T G.657.A1 BIF	YELLOW / YELLOW	0.35 dB @ 1550 nm	- 50 dB @ 1550 nm
1062250035	50.0 +1.0 / -0					
1062250036	100.0 +2.0 / -0					

CONNECTIONS	
FROM	TO
P1-1 THRU P1-12	P2-1 THRU P2-12



- NOTES:
1. ENDCAPS ARE NOT SHOWN BUT INLCUDED.
  2. LABEL IS PRINTED WITH MOLEX P/N AND SERIAL NUMBER.
  3. FOR DETAILED PRODUCT SPECIFICATION SEE DOCUMENT 1062250000 ES.
  4. CABLE CONSTRUCTION:
    - L < 25 meters - SINGLE JACKET CABLE
    - L ≥ 25 meters - RUGGEDIZED CENTRAL TUBE CABLE
  5. INSERTION LOSS TEST DATA IS PROVIDED WITH EACH SHIPMENT.
  6. PACKAGING:
    - L < 50 meters - INDIVIDUALLY COILED AND BAGGED
    - L ≥ 50 meters - SHIPPED ON SPOOLS



QUALITY SYMBOLS	THIS DRAWING CONTAINS INFORMATION THAT IS PROPRIETARY TO MOLEX ELECTRONIC TECHNOLOGIES, LLC AND SHOULD NOT BE USED WITHOUT WRITTEN PERMISSION		DIMENSION UNITS	SCALE	molex®		
F = 0 E = 0 E = 0 ▽ = 0 C = 0 ⊠ = 0 ■ = 0 ▽ = 0	EC NO: 167430 DRWN: IGUMIN CHKD: IGUMIN REV: APPR: IGUMIN	2017/10/30 2017/11/08	mm	1:1	<b>MPO(F) TO MPO(F) TRUNK CABLE, FLEXIBEND BOOT, 12 FIBER, PLENUM</b>		
GENERAL TOLERANCES (UNLESS SPECIFIED)		DRWN BY: IGUMIN DATE: 2017/03/13	CHKD BY:				
ANGULAR TOL ± °		APPR BY: IGUMIN DATE: 2017/03/21	CHKD BY:		SERIES: 106225	MATERIAL NUMBER: SEE TABLE	CUSTOMER:
4 PLACES ± 3 PLACES ± 2 PLACES ± 1 PLACE ± 0 PLACES ±		DRAFT WHERE APPLICABLE MUST REMAIN WITHIN DIMENSIONS		DRAWING SIZE: D	THIRD ANGLE PROJECTION		
DOCUMENT NUMBER: 1062250025		DOC TYPE: PSD		DOC PART: 000		SHEET NUMBER: 1 OF 1	