



Chipsmall Limited consists of a professional team with an average of over 10 year of expertise in the distribution of electronic components. Based in Hongkong, we have already established firm and mutual-benefit business relationships with customers from,Europe,America and south Asia,supplying obsolete and hard-to-find components to meet their specific needs.

With the principle of “Quality Parts,Customers Priority,Honest Operation,and Considerate Service”,our business mainly focus on the distribution of electronic components. Line cards we deal with include Microchip,ALPS,ROHM,Xilinx,Pulse,ON,Everlight and Freescale. Main products comprise IC,Modules,Potentiometer,IC Socket,Relay,Connector.Our parts cover such applications as commercial,industrial, and automotives areas.

We are looking forward to setting up business relationship with you and hope to provide you with the best service and solution. Let us make a better world for our industry!



## Contact us

Tel: +86-755-8981 8866 Fax: +86-755-8427 6832

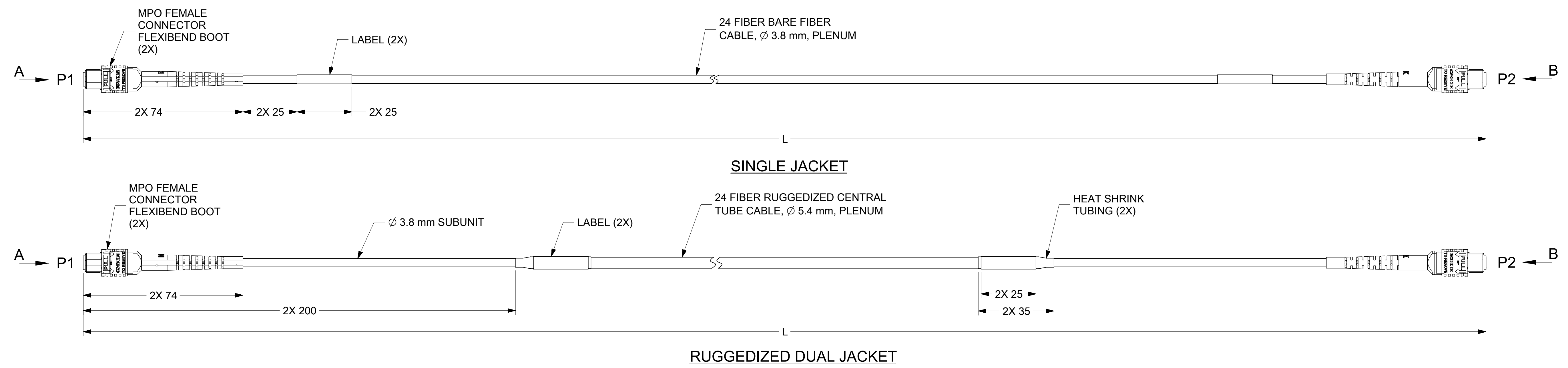
Email & Skype: info@chipsmall.com Web: www.chipsmall.com

Address: A1208, Overseas Decoration Building, #122 Zhenhua RD., Futian, Shenzhen, China

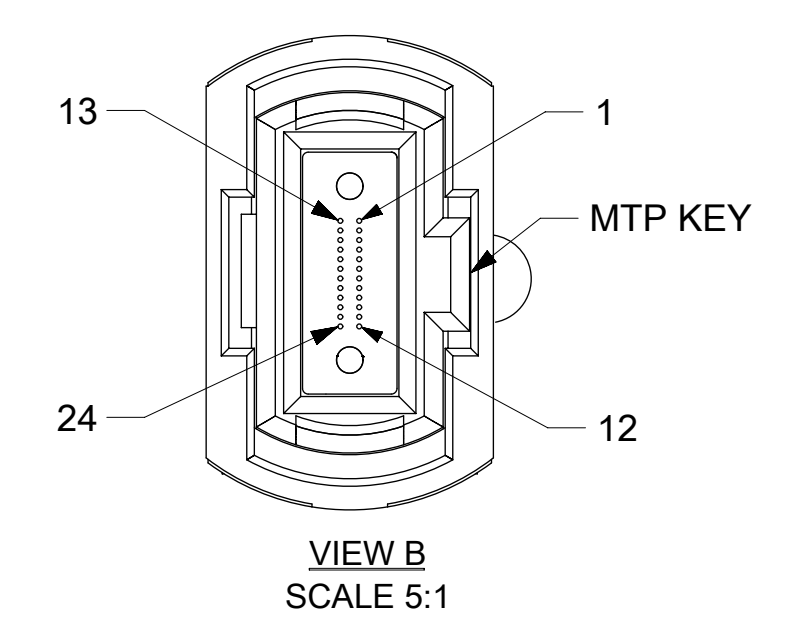
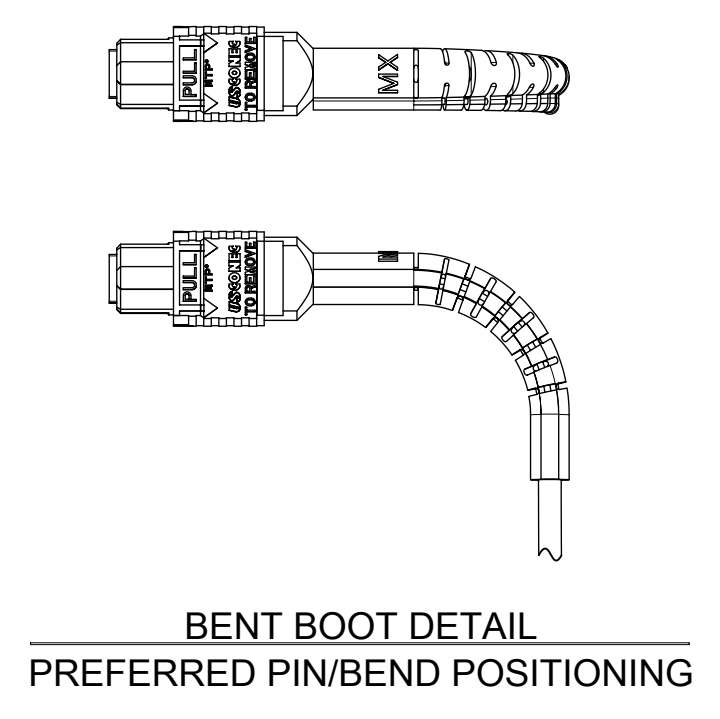
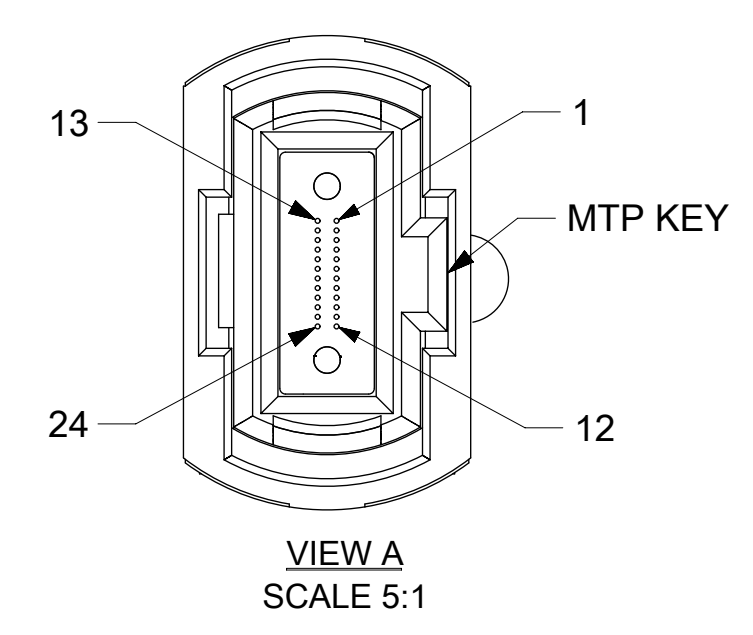


TRUNK CABLE P/N	OVERALL LENGTH, L (m)	CABLE TYPE	FIBER TYPE	CONNECTOR/CABLE COLOR	INSERTION LOSS	RETURN LOSS
1062250085	1.0 +0.2 / -0	SINGLE JACKET	MM 50/125 μm OM3 BIF	AQUA / AQUA	0.5 dB @ 850 nm	---
1062250086	3.0 +0.2 / -0					
1062250087	5.0 +0.2 / -0					
1062250037	10.0 +0.2 / -0					
1062250088	15.0 +0.3 / -0					
1062250038	25.0 +0.5 / -0	RUGGEDIZED DUAL JACKET	MM 50/125 μm OM3 BIF	AQUA / AQUA	0.5 dB @ 850 nm	---
1062250039	50.0 +1.0 / -0					
1062250040	100.0 +2.0 / -0					
1062250089	1.0 +0.2 / -0	SINGLE JACKET	MM 50/125 μm OM4 BIF	AQUA / AQUA	0.5 dB @ 850 nm	---
1062250090	3.0 +0.2 / -0					
1062250091	5.0 +0.2 / -0					
1062250041	10.0 +0.2 / -0					
1062250092	15.0 +0.3 / -0	RUGGEDIZED DUAL JACKET	MM 50/125 μm OM4 BIF	AQUA / AQUA	0.5 dB @ 850 nm	---
1062250042	25.0 +0.5 / -0					
1062250043	50.0 +1.0 / -0					
1062250044	100.0 +2.0 / -0	SINGLE JACKET	SM 9/125 μm OS2 ITU-T G.657.A1 BIF	YELLOW / YELLOW	0.5 dB @ 1550 nm	- 50 dB @ 1550 nm
1062250093	1.0 +0.2 / -0					
1062250094	3.0 +0.2 / -0					
1062250095	5.0 +0.2 / -0					
1062250045	10.0 +0.2 / -0					
1062250096	15.0 +0.3 / -0					
1062250046	25.0 +0.5 / -0					
1062250047	50.0 +1.0 / -0					
1062250048	100.0 +2.0 / -0	RUGGEDIZED DUAL JACKET	SM 9/125 μm OS2 ITU-T G.657.A1 BIF	YELLOW / YELLOW	0.5 dB @ 1550 nm	- 50 dB @ 1550 nm

CONNECTIONS	
FROM	TO
P1-1 THRU P1-12	P2-13 THRU P2-24
P1-13 THRU P1-24	P2-1 THRU P2-12



- NOTES:
1. ENDCAPS ARE NOT SHOWN BUT INCLUDED.
  2. LABEL IS PRINTED WITH MOLEX P/N AND SERIAL NUMBER.
  3. FOR DETAILED PRODUCT SPECIFICATION SEE DOCUMENT 1062250000 ES.
  4. CABLE CONSTRUCTION:
    - L < 25 meters - SINGLE JACKET CABLE
    - L ≥ 25 meters - RUGGEDIZED CENTRAL TUBE CABLE
  5. INSERTION LOSS TEST DATA IS PROVIDED WITH EACH SHIPMENT.
  6. PACKAGING:
    - L < 50 meters - INDIVIDUALLY COILED AND BAGGED
    - L ≥ 50 meters - SHIPPED ON SPOOLS



QUALITY SYMBOLS F = 0 E = 0 E = 0 = 0 = 0 = 0 = 0 = 0 = 0	THIS DRAWING CONTAINS INFORMATION THAT IS PROPRIETARY TO MOLEX ELECTRONIC TECHNOLOGIES, LLC AND SHOULD NOT BE USED WITHOUT WRITTEN PERMISSION		DIMENSION UNITS: mm SCALE: 1:1					
	EC NO: 167430 DRWN: IGUMIN CHKD: REV: APPR: IGUMIN	2017/10/30 2017/11/08	GENERAL TOLERANCES (UNLESS SPECIFIED) ANGULAR TOL ± °			DRWN BY: IGUMIN DATE: 2017/03/13	MPO(F) TO MPO(F) TRUNK CABLE, FLEXIBEND BOOT, 24 FIBER, PLENUM	
			4 PLACES ± 3 PLACES ± 2 PLACES ± 1 PLACE ± 0 PLACES ±			CHKD BY: DATE:		PRODUCT CUSTOMER DRAWING
			DRAFT WHERE APPLICABLE MUST REMAIN WITHIN DIMENSIONS			APPR BY: IGUMIN DATE: 2017/03/21		
B1		D		DRAWING SIZE: D THIRD ANGLE PROJECTION	DOCUMENT NUMBER: 1062250037 DOC TYPE: PSD DOC PART: 000 SHEET NUMBER: 1 OF 1			