



Chipsmall Limited consists of a professional team with an average of over 10 year of expertise in the distribution of electronic components. Based in Hongkong, we have already established firm and mutual-benefit business relationships with customers from,Europe,America and south Asia,supplying obsolete and hard-to-find components to meet their specific needs.

With the principle of "Quality Parts,Customers Priority,Honest Operation,and Considerate Service",our business mainly focus on the distribution of electronic components. Line cards we deal with include Microchip,ALPS,ROHM,Xilinx,Pulse,ON,Everlight and Freescale. Main products comprise IC,Modules,Potentiometer,IC Socket,Relay,Connector.Our parts cover such applications as commercial,industrial, and automotives areas.

We are looking forward to setting up business relationship with you and hope to provide you with the best service and solution. Let us make a better world for our industry!



Contact us

Tel: +86-755-8981 8866 Fax: +86-755-8427 6832

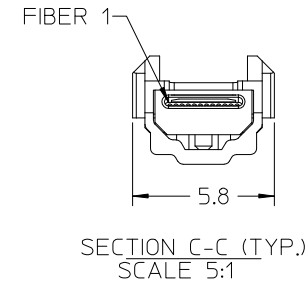
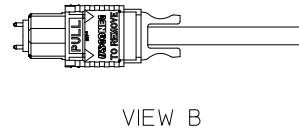
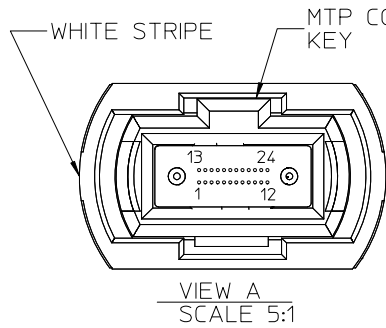
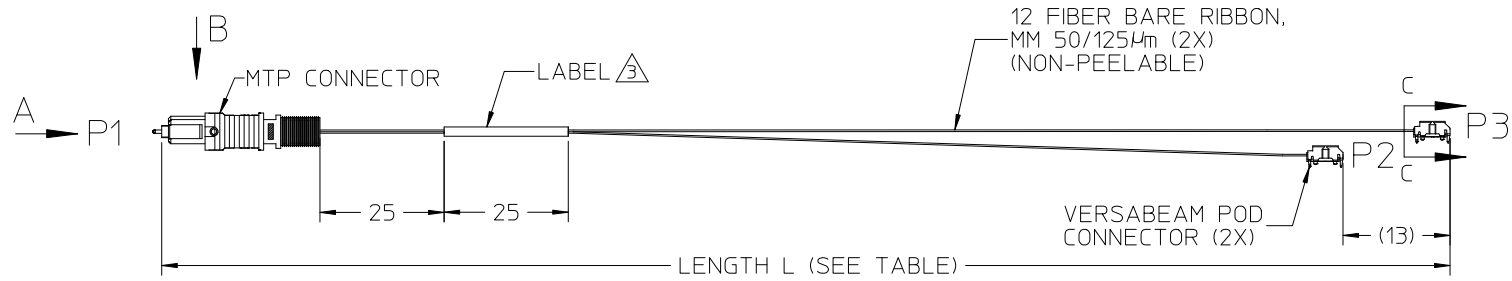
Email & Skype: info@chipsmall.com Web: www.chipsmall.com

Address: A1208, Overseas Decoration Building, #122 Zhenhua RD., Futian, Shenzhen, China



JUMPER P/N	LENGTH L [m]	MTP CONN. TYPE
106267-2020	0.15 +0.025/-0	FEMALE
106267-2021	0.5 +0.1/-0	
106267-2022	1.0 +0.2/-0	
106267-2030	0.15 +0.025/-0	MALE
106267-2031	0.5 +0.1/-0	
106267-2032	1.0 +0.2/-0	

CONNECTIONS	
P1-1 THRU P1-12	P2-1 THRU P2-12
P1-13 THRU P1-24	P3-1 THRU P3-12



NOTES:

1. END CAPS ARE NOT SHOWN BUT INCLUDED.
2. MTP MALE CONNECTOR IS SHOWN. FEMALE CONNECTOR DOES NOT CONTAIN PINS.
3. INSERTION LOSS @ 850nm TO AN INTERPOSER: 2.0 dB. THROUGHPUT LOSS (MTP+VERSABEAM POD): 1.2dB. TEST DATA IS SENT WITH JUMPER.
4. LABEL IS PRINTED WITH MOLEX NAME, PART NUMBER AND SERIAL NUMBER.

ENTER DESCRIPTION EC NO: MF2012-0482 DR: DRW/MAGHAYERE 2012/04/06 CHKD: IGDUMIN 2012/04/10 APPR: IGDUMIN 2012/04/10	QUALITY SYMBOLS ▽=0 ▽7=0	GENERAL TOLERANCES (UNLESS SPECIFIED) <table border="1"> <thead> <tr> <th></th> <th>mm</th> <th>INCH</th> </tr> </thead> <tbody> <tr> <td>4 PLACES</td> <td>± ---</td> <td>± ---</td> </tr> <tr> <td>3 PLACES</td> <td>± ---</td> <td>± ---</td> </tr> <tr> <td>2 PLACES</td> <td>± ---</td> <td>± ---</td> </tr> <tr> <td>1 PLACE</td> <td>± ---</td> <td>± ---</td> </tr> <tr> <td>0 PLACE</td> <td>±</td> <td>±</td> </tr> </tbody> </table>		mm	INCH	4 PLACES	± ---	± ---	3 PLACES	± ---	± ---	2 PLACES	± ---	± ---	1 PLACE	± ---	± ---	0 PLACE	±	±	DIMENSION STYLE MM ONLY	SCALE 1:1	DESIGN UNITS INCH	THIRD ANGLE PROJECTION
		mm	INCH																					
	4 PLACES	± ---	± ---																					
	3 PLACES	± ---	± ---																					
	2 PLACES	± ---	± ---																					
1 PLACE	± ---	± ---																						
0 PLACE	±	±																						
		DRAWN BY: EEFUNG DATE: 2010/08/09	TITLE MTP24 TO 2X VERSABEAM POD JUMPER, MM 50/125µm																					
		CHECKED BY: [blank] DATE: [blank]	APPROVED BY: [blank] DATE: 2010/08/27																					
		MATERIAL NO. SEE TABLE	DOCUMENT NO. SD-106267-2021		SHEET NO. 1 OF 1																			
		THIS DRAWING CONTAINS INFORMATION THAT IS PROPRIETARY TO MOLEX INCORPORATED AND SHOULD NOT BE USED WITHOUT WRITTEN PERMISSION																						