



Chipsmall Limited consists of a professional team with an average of over 10 year of expertise in the distribution of electronic components. Based in Hongkong, we have already established firm and mutual-benefit business relationships with customers from,Europe,America and south Asia,supplying obsolete and hard-to-find components to meet their specific needs.

With the principle of "Quality Parts,Customers Priority,Honest Operation,and Considerate Service",our business mainly focus on the distribution of electronic components. Line cards we deal with include Microchip,ALPS,ROHM,Xilinx,Pulse,ON,Everlight and Freescale. Main products comprise IC,Modules,Potentiometer,IC Socket,Relay,Connector.Our parts cover such applications as commercial,industrial, and automotives areas.

We are looking forward to setting up business relationship with you and hope to provide you with the best service and solution. Let us make a better world for our industry!



## Contact us

Tel: +86-755-8981 8866 Fax: +86-755-8427 6832

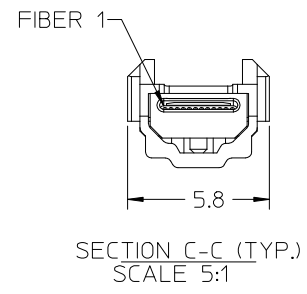
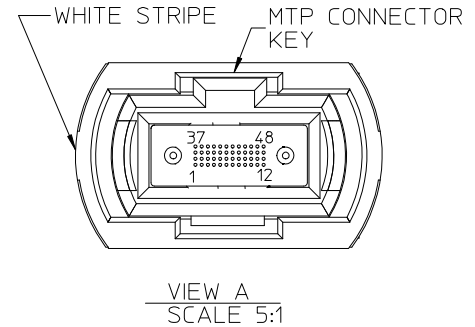
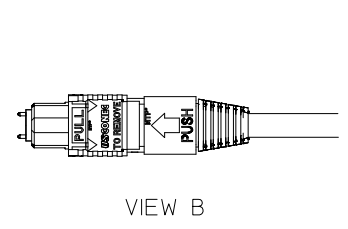
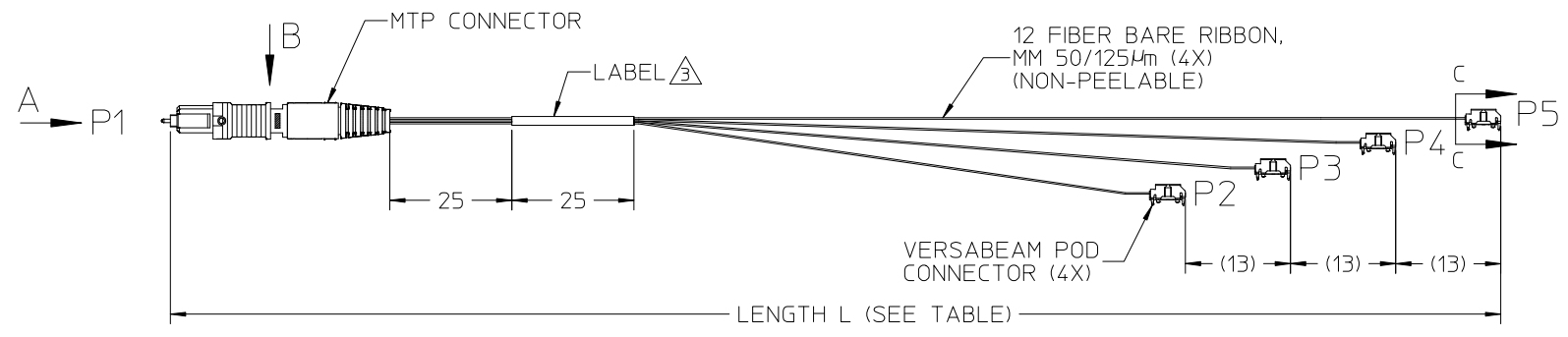
Email & Skype: info@chipsmall.com Web: www.chipsmall.com

Address: A1208, Overseas Decoration Building, #122 Zhenhua RD., Futian, Shenzhen, China



JUMPER P/N	LENGTH L [m]	MTP CONN. TYPE
106267-2041	0.5 +0.1/-0	FEMALE
106267-2042	1.0 +0.2/-0	
106267-2051	0.5 +0.1/-0	MALE
106267-2052	1.0 +0.2/-0	

CONNECTIONS	
P1-1 THRU P1-12	P2-1 THRU P2-12
P1-13 THRU P1-24	P3-1 THRU P3-12
P1-25 THRU P1-36	P4-1 THRU P4-12
P1-37 THRU P1-48	P5-1 THRU P5-12



- NOTES:
1. END CAPS ARE NOT SHOWN BUT INCLUDED.
  2. MTP MALE CONNECTOR IS SHOWN. FEMALE CONNECTOR DOES NOT CONTAIN PINS.
  3. INSERTION LOSS @ 850nm TO AN INTERPOSER: 2.0 dB. THROUGHPUT LOSS (MTP+VERSABEAM POD): 1.5dB. TEST DATA IS SENT WITH JUMPER.
  4. LABEL IS PRINTED WITH MOLEX NAME, PART NUMBER AND SERIAL NUMBER.

<b>ENTER DESCRIPTION</b> EC NO: MF2012-0411 ID: DRANKPEVZNER 2012/02/23 CHKD: LGUMIN APPR: LGUMIN 2012/02/28	QUALITY SYMBOLS ▽=0 ▽7=0	GENERAL TOLERANCES (UNLESS SPECIFIED) <table border="1"> <thead> <tr> <th></th> <th>mm</th> <th>INCH</th> </tr> </thead> <tbody> <tr> <td>4 PLACES</td> <td>±---</td> <td>±---</td> </tr> <tr> <td>3 PLACES</td> <td>±---</td> <td>±---</td> </tr> <tr> <td>2 PLACES</td> <td>±---</td> <td>±---</td> </tr> <tr> <td>1 PLACE</td> <td>±---</td> <td>±---</td> </tr> </tbody> </table> ANGULAR ±1/2°		mm	INCH	4 PLACES	±---	±---	3 PLACES	±---	±---	2 PLACES	±---	±---	1 PLACE	±---	±---	DIMENSION STYLE <b>MM ONLY</b> DRAWN BY: EEFUNG DATE: 2010/08/10 CHECKED BY: DATE:	SCALE <b>1:1</b> DESIGN UNITS <b>INCH</b> THIRD ANGLE PROJECTION
		mm	INCH																
	4 PLACES	±---	±---																
	3 PLACES	±---	±---																
2 PLACES	±---	±---																	
1 PLACE	±---	±---																	
DRAFT WHERE APPLICABLE MUST REMAIN WITHIN DIMENSIONS	APPROVED BY: BANDREI DATE: 2010/08/27 MATERIAL NO.	TITLE <b>MTP48 TO 4X                  VERSABEAM POD JUMPER,                  MM 50/125UM</b>	MOLEX INCORPORATED DOCUMENT NO. <b>SD-106267-2041</b>	SHEET NO. 1 OF 1															
SIZE <b>B</b>		THIS DRAWING CONTAINS INFORMATION THAT IS PROPRIETARY TO MOLEX INCORPORATED AND SHOULD NOT BE USED WITHOUT WRITTEN PERMISSION																	