



Chipsmall Limited consists of a professional team with an average of over 10 year of expertise in the distribution of electronic components. Based in Hongkong, we have already established firm and mutual-benefit business relationships with customers from,Europe,America and south Asia,supplying obsolete and hard-to-find components to meet their specific needs.

With the principle of “Quality Parts,Customers Priority,Honest Operation,and Considerate Service”,our business mainly focus on the distribution of electronic components. Line cards we deal with include Microchip,ALPS,ROHM,Xilinx,Pulse,ON,Everlight and Freescale. Main products comprise IC,Modules,Potentiometer,IC Socket,Relay,Connector.Our parts cover such applications as commercial,industrial, and automotives areas.

We are looking forward to setting up business relationship with you and hope to provide you with the best service and solution. Let us make a better world for our industry!



Contact us

Tel: +86-755-8981 8866 Fax: +86-755-8427 6832

Email & Skype: info@chipsmall.com Web: www.chipsmall.com

Address: A1208, Overseas Decoration Building, #122 Zhenhua RD., Futian, Shenzhen, China

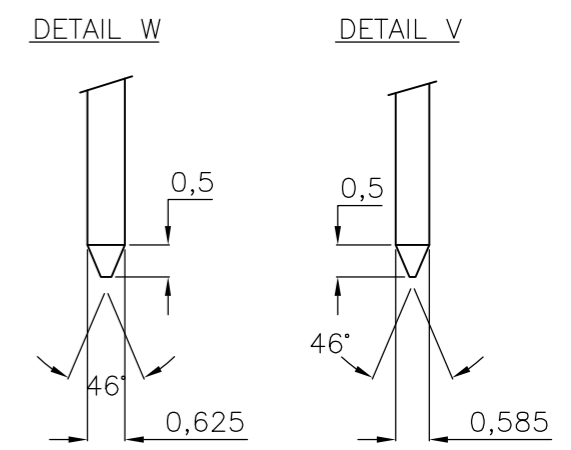
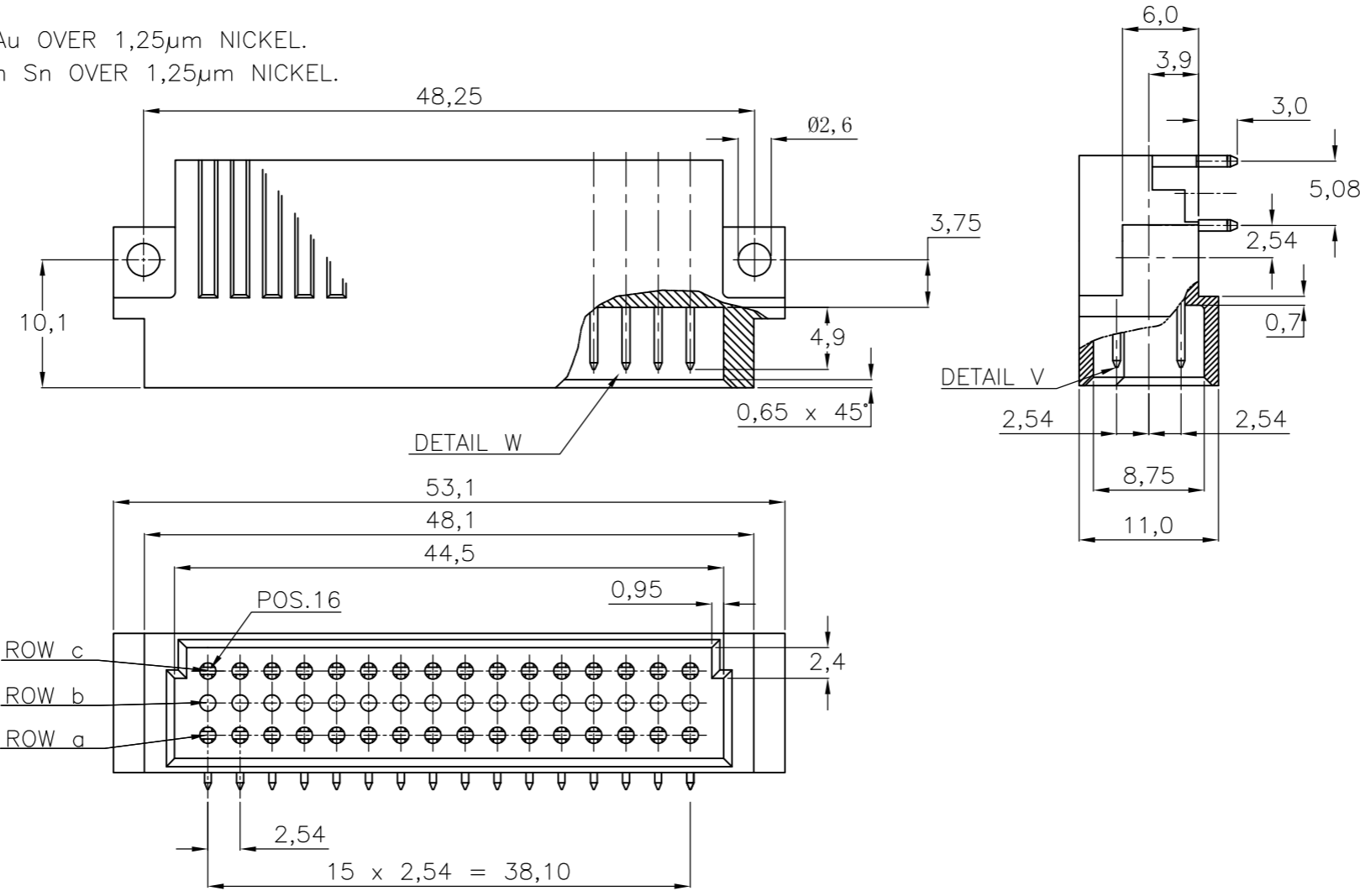


THIS DRAWING IS UNPUBLISHED. RELEASED FOR PUBLICATION
 © COPYRIGHT BY TYCO ELECTRONICS CORPORATION. ALL INTERNATIONAL RIGHTS RESERVED.

LOC	DIST	REVISIONS					
		P	LTR	DESCRIPTION	DATE	DWN	APVD
H	—		A	EH-0243-98	17-02-98	RvH	—
			B	EH-1792-98	03-11-98	LvdH	—
			C	ECR-07-020965	22-08-08	AEG	MKO

NOTES:

- ① MATERIAL:
 -HOUSING: THERMOPL.POLYESTER
 COLOUR : GREY
 -CONTACTS: PHOSPHORBRONZE
- ② PLATING CONTACT :
 0- -4: AT CONTACT AREA 0,8µm Au OVER 1,25µm NICKEL.
 AT ACTION PIN AREA 2,5µm Sn OVER 1,25µm NICKEL.



ROW c	X X X X X X X X X X X X X X X X
ROW b	O O O O O O O O O O O O O O O O
ROW a	X X X X X X X X X X X X X X X X
POS	16 15 14 13 12 11 10 9 8 7 6 5 4 3 2 1

AN ASTERISK „X” DENOTES A CONTACT.

P.C.B. HOLE DIM. ACTION PIN	
DRILLED HOLE	: 1,15 ± 0,025 mm
FIN. HOLE	: 0,94 to 1,09 mm
AFTER REFLOW	: 0,91 to 1,09 mm
Cu-thks	: 0,025 to 0,075 mm
SnPb-thks	: 0,004 to 0,010 mm

OBSOLETE	SEE NOTE ②	SEE NOTE ①	6-106276-8
	SEE NOTE ②	SEE NOTE ①	106276-4
	FINISH	MATERIAL	PARTNUMBER

THIS DRAWING IS A CONTROLLED DOCUMENT.		DWN R.V.LOKVEN 24MAR93	Tyco Electronics Corporation 's-Hertogenbosch, Nederland	
DIMENSIONS: mm		CHK J.V.GRUNSVEN 24MAR93		
TOLERANCES UNLESS OTHERWISE SPECIFIED:		APVD L.V.SOEST	32 POS. DIN 41612 TYPE C/2 MALE ACTION PIN CONNECTOR FOR 1,6 P.C.B. THICKNESS	
0 PLC ± - 1 PLC ± - 2 PLC ± - 3 PLC ± - 4 PLC ± - ANGLES ± -		PRODUCT SPEC -		
MATERIAL -		FINISH -	RESTRICTED TO -	
		APPLIC. SPEC -	SIZE A3 CAGE CODE 00779 DRAWING NO C-106276	
		WEIGHT -	SCALE NTS SHEET 1 OF 1 REV C	
		CUSTOMER DRAWING		