



Chipsmall Limited consists of a professional team with an average of over 10 year of expertise in the distribution of electronic components. Based in Hongkong, we have already established firm and mutual-benefit business relationships with customers from,Europe,America and south Asia,supplying obsolete and hard-to-find components to meet their specific needs.

With the principle of “Quality Parts,Customers Priority,Honest Operation,and Considerate Service”,our business mainly focus on the distribution of electronic components. Line cards we deal with include Microchip,ALPS,ROHM,Xilinx,Pulse,ON,Everlight and Freescale. Main products comprise IC,Modules,Potentiometer,IC Socket,Relay,Connector.Our parts cover such applications as commercial,industrial, and automotives areas.

We are looking forward to setting up business relationship with you and hope to provide you with the best service and solution. Let us make a better world for our industry!



Contact us

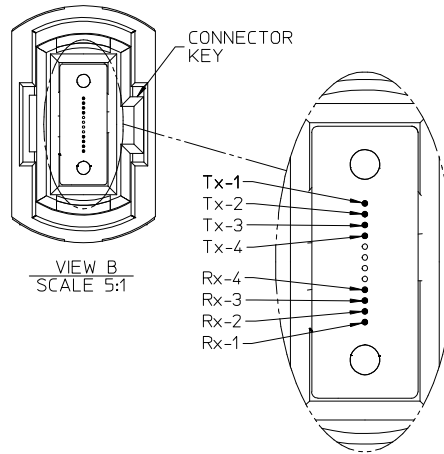
Tel: +86-755-8981 8866 Fax: +86-755-8427 6832

Email & Skype: info@chipsmall.com Web: www.chipsmall.com

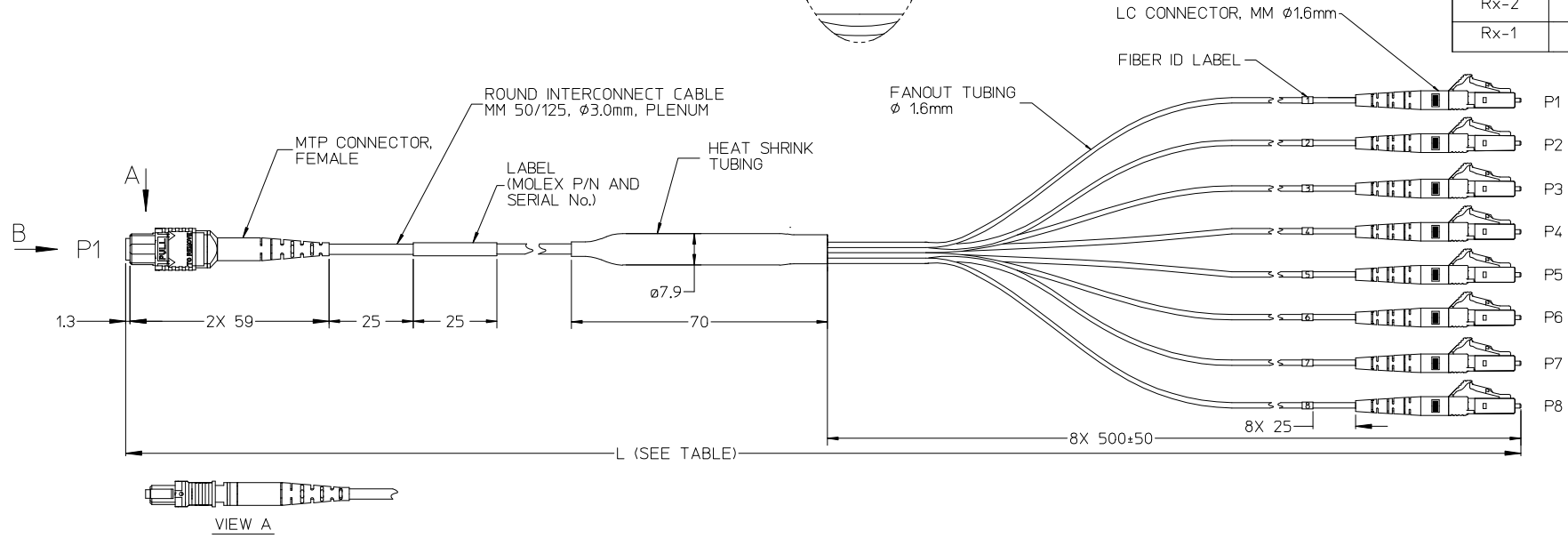
Address: A1208, Overseas Decoration Building, #122 Zhenhua RD., Futian, Shenzhen, China



CABLE ASSEMBLY PART NUMBER		OVERALL LENGTH L (m)
STANDARD BANDWIDTH*	HIGH BANDWIDTH*	
106283-5201	106283-5301	1.0 +0.2/-0
106283-5202	106283-5302	3.0 +0.2/-0
106283-5203	106283-5303	5.0 +0.2/-0
106283-5204	106283-5304	10.0 +0.3/-0
106283-5205	106283-5305	15.0 +0.3/-0
106283-5210	-	7.0 +0.2/-0



FROM P1	TO CONNECTOR	FIBER ID
Tx-1	P1	1
Tx-2	P2	2
Tx-3	P3	3
Tx-4	P4	4
UNUSED	UNUSED	UNUSED
UNUSED	UNUSED	UNUSED
UNUSED	UNUSED	UNUSED
UNUSED	UNUSED	UNUSED
Rx-4	P5	5
Rx-3	P6	6
Rx-2	P7	7
Rx-1	P8	8



NOTES:
1. CABLE ASSEMBLY SPECIFICATIONS:

OPTICAL PROPERTIES	
FIBER TYPE	MULTIMODE 50/125 μ m
CONNECTOR INSERTION LOSS MTP/LC (MAX.)	0.5/0.35 dB
CABLE ATTENUATION (MAX.)	3.5/1.2 dB/km AT 850/1300 nm
*BANDWIDTH	SEE TABLE 1
ENVIRONMENTAL PROPERTIES	
CONNECTOR MATERIALS	UL94 V-0
OPERATING TEMPERATURE RANGE	-0°C TO +70°C
MECHANICAL PROPERTIES	
FIBER COUNT	4 Tx X 4 Rx
CABLE MIN. BEND RADIUS	50 mm SHORT TERM 32 mm LONG TERM

2. CABLE ASSEMBLY AND ITS COMPONENTS ARE COMPLIANT WITH EU DIRECTIVE 2002/95/EC ON THE RESTRICTION OF THE USE OF HAZARDOUS SUBSTANCES IN ELECTRICAL AND ELECTRONIC EQUIPMENT (RoHS).

TABLE 1

FIBER TYPE	OVERFILLED LAUNCH BANDWIDTH, MIN. (MHZ-km)		1 GIGABIT ETHERNET LINK DISTANCE, MIN. (m)		10 GIGABIT ETHERNET LINK DISTANCE, MIN. (m)	
	850 nm	1300 nm	850 nm	1300 nm	850 nm	1300 nm
STANDARD BANDWIDTH	500	500	600	600	86	---
HIGH BANDWIDTH	1500	500	900	550	300	---

ENTER DESCRIPTION EC NO: MF2013-0288 DRAWN BY: DRWNKPEVZNER CHKD: 2012/11/27 APPR: IGJMIN 2012/11/27	QUALITY SYMBOLS ▽=0 ▽=0	GENERAL TOLERANCES (UNLESS SPECIFIED)		DIMENSION STYLE MM ONLY		SCALE 1:1	DESIGN UNITS INCH	THIRD ANGLE PROJECTION
		4 PLACES ± --- ± --- 3 PLACES ± --- ± --- 2 PLACES ± --- ± --- 1 PLACE ± --- ± --- 0 PLACE ± ±		DRAWN BY DATE J.SZEWczyk 2007/04/11 CHECKED BY DATE		TITLE MOLEX QSFP OPTICAL BREAK-OUT CABLE ASSEMBLY		
C2	REVISION	ANGULAR ±1/2°		APPROVED BY DATE I.GUMIN 2007/04/11		DOCUMENT NO. SD-106283-5YYY		SHEET NO. 1 OF 1
		DRAFT WHERE APPLICABLE MUST REMAIN WITHIN DIMENSIONS		MATERIAL NO. SEE TABLE		THIS DRAWING CONTAINS INFORMATION THAT IS PROPRIETARY TO MOLEX INCORPORATED AND SHOULD NOT BE USED WITHOUT WRITTEN PERMISSION		