



Chipsmall Limited consists of a professional team with an average of over 10 year of expertise in the distribution of electronic components. Based in Hongkong, we have already established firm and mutual-benefit business relationships with customers from,Europe,America and south Asia,supplying obsolete and hard-to-find components to meet their specific needs.

With the principle of “Quality Parts,Customers Priority,Honest Operation,and Considerate Service”,our business mainly focus on the distribution of electronic components. Line cards we deal with include Microchip,ALPS,ROHM,Xilinx,Pulse,ON,Everlight and Freescale. Main products comprise IC,Modules,Potentiometer,IC Socket,Relay,Connector.Our parts cover such applications as commercial,industrial, and automotives areas.

We are looking forward to setting up business relationship with you and hope to provide you with the best service and solution. Let us make a better world for our industry!



Contact us

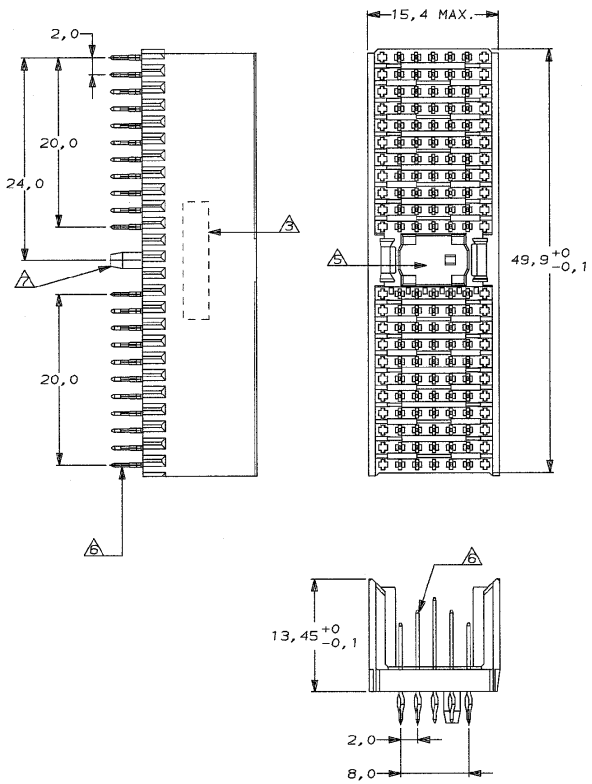
Tel: +86-755-8981 8866 Fax: +86-755-8427 6832

Email & Skype: info@chipsmall.com Web: www.chipsmall.com

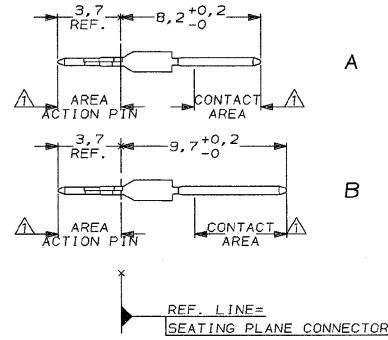
Address: A1208, Overseas Decoration Building, #122 Zhenhua RD., Futian, Shenzhen, China



CONNECTOR ASSEMBLY
EXAMPLARY LOADED



CONTACT DIMENSIONS



DO NOT SCALE
DIMENSIONS IN mm

METRIC



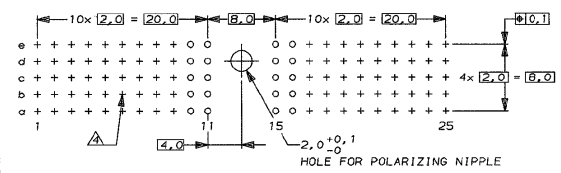
CONTACT LAYOUT

	z	a	b	c	d	e	f
1	A	B	B	B	B		
2	B	B	B	B	B		
3	B	B	B	B	B		
4	B	B	B	B	B		
5	B	B	B	B	B		
6	B	B	B	B	B		
7	B	B	B	B	B		
8	B	B	B	B	B		
9	B	B	B	B	B		
10	B	B	B	B	B		
11	B	B	B	B	B		
MULTI PURPOSE CENTRE							
15	B	B	B	B	B		
16	B	B	B	B	B		
17	B	B	B	B	B		
18	B	B	B	B	B		
19	B	B	B	B	B		
20	B	B	B	B	B		
21	B	B	B	B	B		
22	B	B	B	B	B		
23	B	B	B	B	B		
24	B	B	B	B	B		
25	A	B	B	B	B		

THIS DRAWING IS
PRELIMINARY

- NOTES:**
- ⚠ PLATING
 - CONTACT AREA: 0,8µm Au MIN. OVER 1,3µm Ni MIN.
 - ACTION PIN : 0,5µm SnPb MIN. OVER 1,3µm Ni MIN.
 - ⚠ MATERIAL CONTACT: PHOSPHORBRONZE.
 - MATERIAL HOUSING: GLASSFILLED POLYESTER.
 - ⚠ CONNECTOR PRINTED WITH PARTNUMBER AND DATECODE.
 - ⚠ PLATED-THROUGH HOLES AT 2x2mm SQUARE GRID.
 - TOTAL 110 HOLES .
 - ⚠ AREA RESERVED FOR KEYING PART (BASIC P.N. 100525).
 - ⚠ FOR ACTUAL PIN LOADING SEE "CONTACT LAYOUT"
 - ⚠ POLARIZING NIPPLE

RECOMMENDED PCB-HOLE LAY-OUT
COMPONENT SIDE SHOWN



P.C.B. HOLE DIM. ACTION PIN

DRILLED HOLE:	0,7±0,025mm
FIN. HOLE	: 0,55 TO 0,65mm
Cu-thks	: 0,025 TO 0,050mm
SnPb-thks	: 0,004 TO 0,010mm

FINISH	MATERIAL	PARTNUMBER
-	-	106372-1
CUSTOMER DRAWING		
FOR REFERENCE ONLY WILL NOT BE UPDATED.		
© COPYRIGHT 1983 BY AMP HOLLAND B.V.		
ALL INTERNATIONAL RIGHTS RESERVED. AMP PRODUCTS MAY BE COVERED BY U.S. AND FOREIGN AND/OR PATENTS PENDING.		
THIS DRAWING IS UNPUBLISHED AND/OR PATENTS PENDING.		
RELEASED FOR PUBLICATION		
AMP		
AMP HOLLAND B.V. 's-Hertogenbosch, The Netherlands.		
NAME Z-PACK 2mm HM TYPE A		
110 POS. MALE BACKPANEL		
CONNECTOR ASSEMBLY		
LTR. A	REVISION RECORD	DR. JVD BN 20-NOV-93
DR. V. DREJNEL	CHK. J. HOOIJ	APP. J. HOOIJ
DATE: 20-NOV-93	DATE: 20-NOV-93	DATE: 20-NOV-93
DWG. No. C-106372		REV. LTR. SHEET A 1 OF 1 A2