



Chipsmall Limited consists of a professional team with an average of over 10 year of expertise in the distribution of electronic components. Based in Hongkong, we have already established firm and mutual-benefit business relationships with customers from,Europe,America and south Asia,supplying obsolete and hard-to-find components to meet their specific needs.

With the principle of “Quality Parts,Customers Priority,Honest Operation,and Considerate Service”,our business mainly focus on the distribution of electronic components. Line cards we deal with include Microchip,ALPS,ROHM,Xilinx,Pulse,ON,Everlight and Freescale. Main products comprise IC,Modules,Potentiometer,IC Socket,Relay,Connector.Our parts cover such applications as commercial,industrial, and automotives areas.

We are looking forward to setting up business relationship with you and hope to provide you with the best service and solution. Let us make a better world for our industry!



Contact us

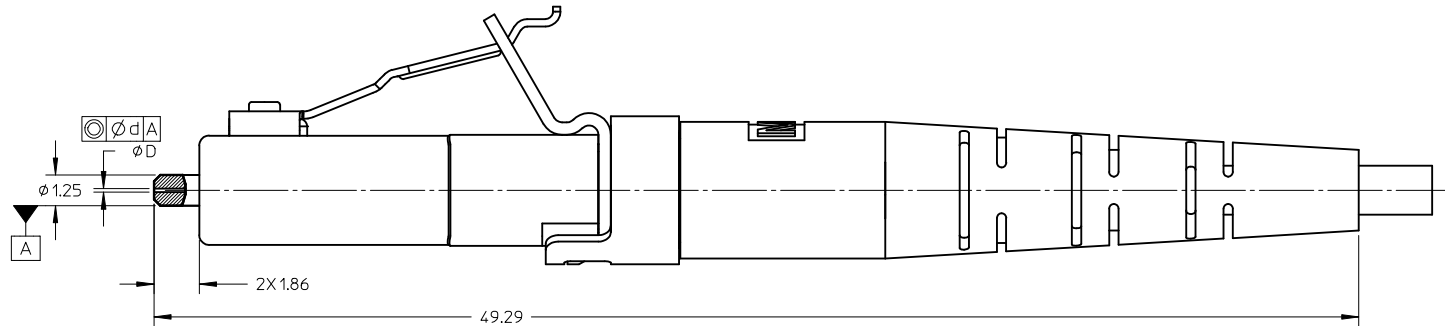
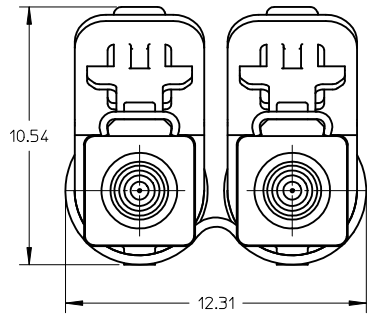
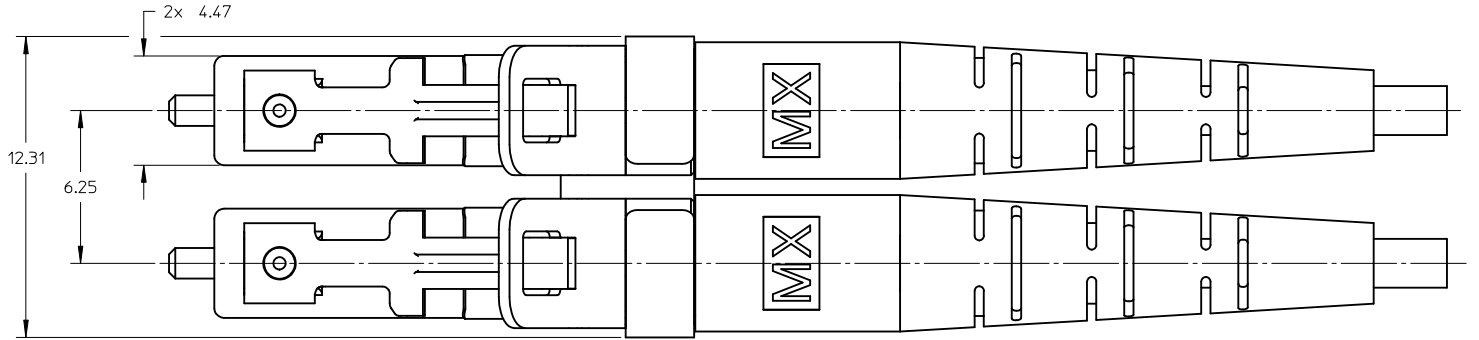
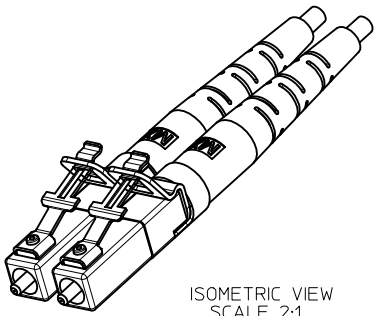
Tel: +86-755-8981 8866 Fax: +86-755-8427 6832

Email & Skype: info@chipsmall.com Web: www.chipsmall.com

Address: A1208, Overseas Decoration Building, #122 Zhenhua RD., Futian, Shenzhen, China



CONNECTOR P/N	∅D (µm)	∅d (µm)	BOOT COLOR	CABLE TYPE	CABLE DESCRIPTION AND ∅ (mm)
106397-2227	125.5 ^{+1.0} / ₀	0.5	YELLOW	SM	SIMPLEX 1.6
106397-3000			BLUE		SIMPLEX 2.0
106397-2229	126.0 ^{+3.0} / ₀	1.0	YELLOW		SIMPLEX 1.6
106397-1604			BLUE		SIMPLEX 2.0
106397-2427	127.0 ^{+3.0} / ₀	3.0	WHITE	MM	SIMPLEX 1.6
106397-3010					SIMPLEX 2.0



NOTES:

1. ALL DIMENSIONS ARE FOR REFERENCE ONLY.
2. DUST CAPS ARE NOT SHOWN.

ENTER DESCRIPTION EC NO: MF2010-0477 DRW:KPEVZNER 2010/05/24 CHKD:WCHEN 2009/05/08 APPR:WCHEN 2010/05/27 REV B1	QUALITY SYMBOLS ▽=0 ▽7=0	GENERAL TOLERANCES (UNLESS SPECIFIED) mm INCH 4 PLACES ± --- ± --- 3 PLACES ± --- ± --- 2 PLACES ± --- ± --- 1 PLACE ± --- ± --- ANGULAR ±1/2°	DIMENSION STYLE MM ONLY DRAWN BY JSZEWCZYK DATE 2009/04/27 CHECKED BY WCHEN DATE 2009/05/08 APPROVED BY BANDREI DATE 2009/05/08	SCALE 5:1 DESIGN UNITS METRIC THIRD ANGLE PROJECTION	TITLE LC2 PLUS DUPLEX CONNECTOR WITH 1.6MM & 2.0MM BOOT	
	DRAFT WHERE APPLICABLE MUST REMAIN WITHIN DIMENSIONS		MATERIAL NO. SEE TABLE	MOLEX INCORPORATED	SHEET NO. 1 OF 1	
			DOCUMENT NO. SD-106397-3000	THIS DRAWING CONTAINS INFORMATION THAT IS PROPRIETARY TO MOLEX INCORPORATED AND SHOULD NOT BE USED WITHOUT WRITTEN PERMISSION		