



Chipsmall Limited consists of a professional team with an average of over 10 year of expertise in the distribution of electronic components. Based in Hongkong, we have already established firm and mutual-benefit business relationships with customers from,Europe,America and south Asia,supplying obsolete and hard-to-find components to meet their specific needs.

With the principle of “Quality Parts,Customers Priority,Honest Operation,and Considerate Service”,our business mainly focus on the distribution of electronic components. Line cards we deal with include Microchip,ALPS,ROHM,Xilinx,Pulse,ON,Everlight and Freescale. Main products comprise IC,Modules,Potentiometer,IC Socket,Relay,Connector.Our parts cover such applications as commercial,industrial, and automotives areas.

We are looking forward to setting up business relationship with you and hope to provide you with the best service and solution. Let us make a better world for our industry!



Contact us

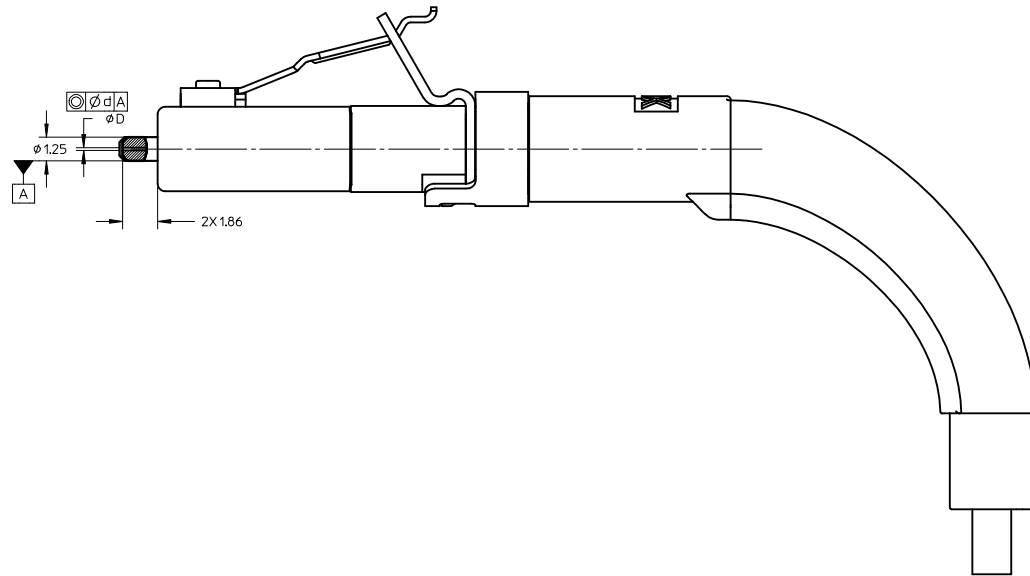
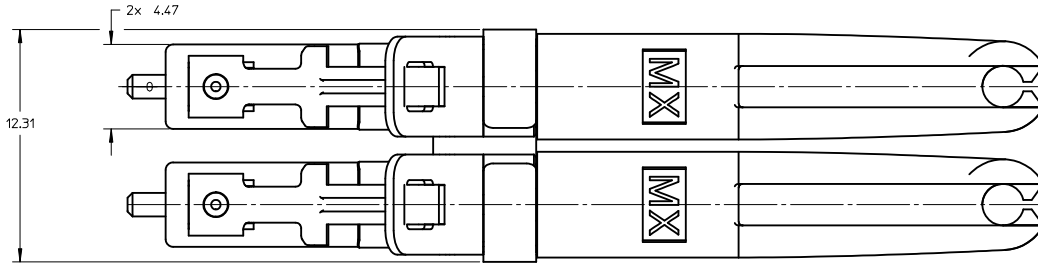
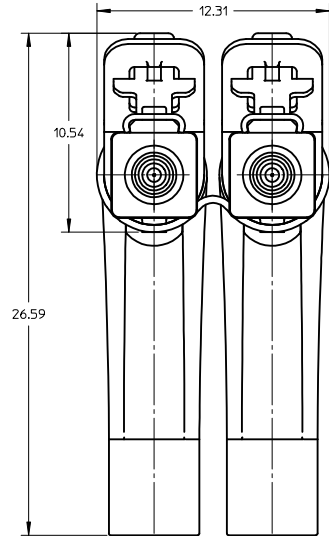
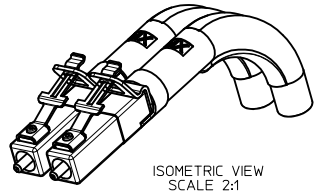
Tel: +86-755-8981 8866 Fax: +86-755-8427 6832

Email & Skype: info@chipsmall.com Web: www.chipsmall.com

Address: A1208, Overseas Decoration Building, #122 Zhenhua RD., Futian, Shenzhen, China



CONNECTOR P/N	∅D (µm)	∅d (µm)	BOOT COLOR	CABLE TYPE	CABLE DESCRIPTION AND ∅ (mm)
106397-2287	125.5 ⁺¹⁰ / ₀	0.5	BLUE	SM	SIMPLEX 1.6
106397-1662					SIMPLEX 2.0
106397-2289	126.0 ⁺³⁰ / ₀	1.0			SIMPLEX 1.6
106397-1664					SIMPLEX 2.0
106397-2487	127.0 ⁺³⁰ / ₀	3.0	WHITE	MM	SIMPLEX 1.6
106397-1862					SIMPLEX 2.0



NOTES:
 1. ALL DIMENSIONS ARE FOR REFERENCE ONLY
 2. DUST CAP IS NOT SHOWN.

ENTER DESCRIPTION EC NO: MF2010-0477 DRWNL:LSADAUSKIENE 2010/04/30 CHKD:WCHEN 2010/05/19 APPR:WCHEN 2010/05/27	QUALITY SYMBOLS ▽=0 ▽=0	GENERAL TOLERANCES (UNLESS SPECIFIED)		DIMENSION STYLE	SCALE	DESIGN UNITS	THIRD ANGLE PROJECTION	
				MM ONLY	5:1	METRIC		
		4 PLACES ± ---	INCH ± ---	DRAWN BY	DATE	TITLE LC2 PLUS DUPLEX CONN 90D TIGHT BEND BOOT		
		3 PLACES ± ---	± ---	LSADAUSKIENE	2010/04/30			
2 PLACES ± ---	± ---	CHECKED BY	DATE	MOLEX INCORPORATED SD-106397-2287				
1 PLACE ± ---	± ---	SERNST	2010/05/19					
ANGULAR ±1/2°		APPROVED BY	DATE	MATERIAL NO. SEE TABLE				
DRAFT WHERE APPLICABLE MUST REMAIN WITHIN DIMENSIONS		WCHEN	2010/05/27					
REV	DESCRIPTION	SIZE		DOCUMENT NO. SD-106397-2287				
A		C		SHEET NO. 1 OF 1				