



Chipsmall Limited consists of a professional team with an average of over 10 year of expertise in the distribution of electronic components. Based in Hongkong, we have already established firm and mutual-benefit business relationships with customers from,Europe,America and south Asia,supplying obsolete and hard-to-find components to meet their specific needs.

With the principle of "Quality Parts,Customers Priority,Honest Operation,and Considerate Service",our business mainly focus on the distribution of electronic components. Line cards we deal with include Microchip,ALPS,ROHM,Xilinx,Pulse,ON,Everlight and Freescale. Main products comprise IC,Modules,Potentiometer,IC Socket,Relay,Connector.Our parts cover such applications as commercial,industrial, and automotives areas.

We are looking forward to setting up business relationship with you and hope to provide you with the best service and solution. Let us make a better world for our industry!



## Contact us

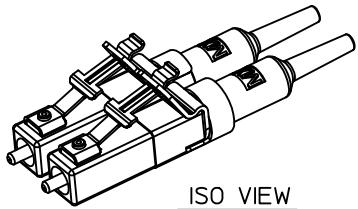
Tel: +86-755-8981 8866 Fax: +86-755-8427 6832

Email & Skype: info@chipsmall.com Web: www.chipsmall.com

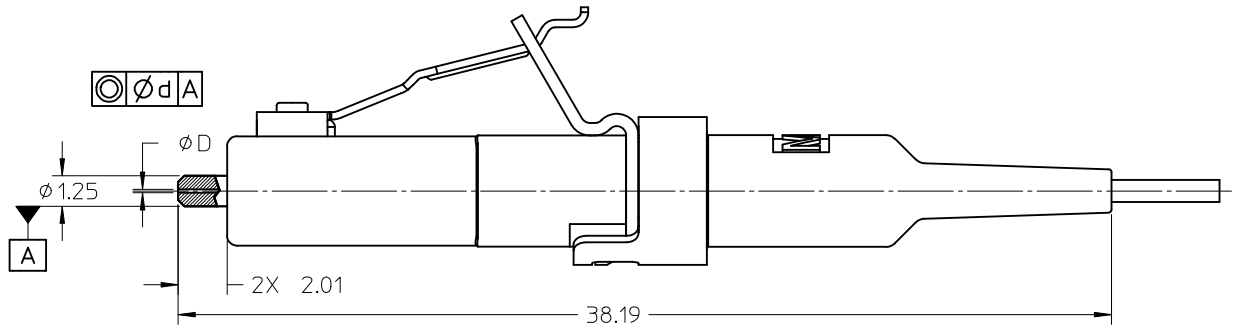
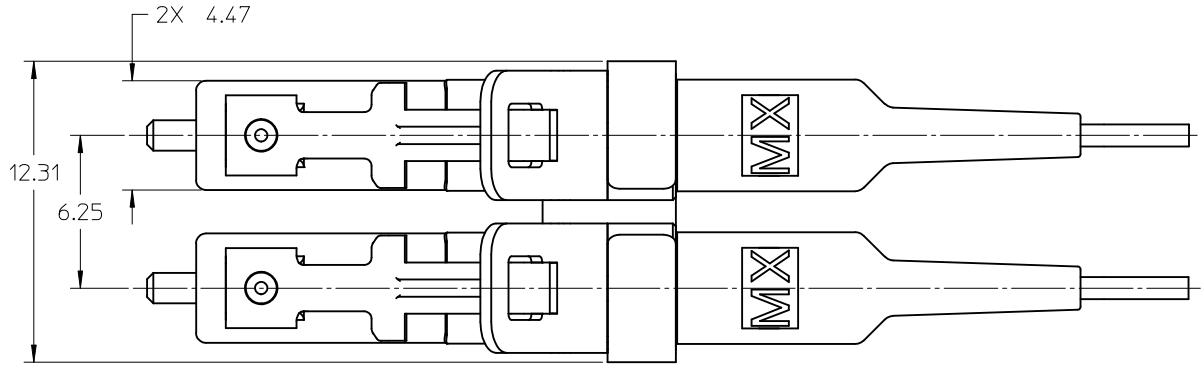
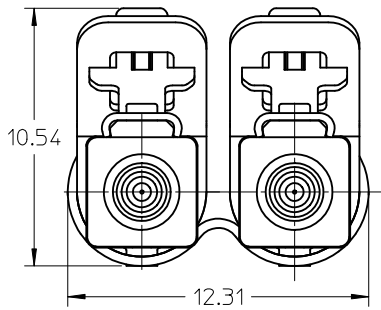
Address: A1208, Overseas Decoration Building, #122 Zhenhua RD., Futian, Shenzhen, China



CONNECTOR P/N	∅D (µm)	∅d (µm)	BOOT COLOR	CABLE TYPE
106397-2202	125.50 <sup>+0.50</sup> <sub>0</sub>	0.5	BLUE	SM
106397-2402	127.0 <sup>+3.00</sup> <sub>0</sub>	3.0	WHITE	MM



ISO VIEW  
SCALE 2:1



NOTES:

1. ALL DIMENSIONS ARE FOR REFERENCE ONLY.
2. DUST CAPS ARE NOT SHOWN.

<b>ENTER DESCRIPTION</b> EC NO: MF2010-0307 DRWN: JSZEW CZYK 2010/01/25 CHKD: JSZEW CZYK 2010/01/18 APPR: IGUMIN 2010/01/25 A	<b>QUALITY SYMBOLS</b> ▽=0 ▽7=0	<b>GENERAL TOLERANCES (UNLESS SPECIFIED)</b>		<b>DIMENSION STYLE</b> MM ONLY		SCALE 5:1	DESIGN UNITS METRIC	THIRD ANGLE PROJECTION		
		mm	INCH	DRAWN BY	DATE	TITLE LC2+ DUPLEX CONNECTOR FOR BARE FIBER				
		4 PLACES ± ---	± ---	JSZEW CZYK	2010/01/11					
		3 PLACES ± ---	± ---	CHECKED BY	DATE	MOLEX INCORPORATED				
2 PLACES ± ---	± ---	WCHEN	2009/05/08							
1 PLACE ± ---	± ---	APPROVED BY	DATE	DOCUMENT NO. SD-106397-2X02						
ANGULAR ±1/2°		IGUMIN	2010/01/25							
DRAFT WHERE APPLICABLE MUST REMAIN WITHIN DIMENSIONS		MATERIAL NO. SEE TABLE		SHEET NO. 1 OF 1		THIS DRAWING CONTAINS INFORMATION THAT IS PROPRIETARY TO MOLEX INCORPORATED AND SHOULD NOT BE USED WITHOUT WRITTEN PERMISSION				