



Chipsmall Limited consists of a professional team with an average of over 10 year of expertise in the distribution of electronic components. Based in Hongkong, we have already established firm and mutual-benefit business relationships with customers from,Europe,America and south Asia,supplying obsolete and hard-to-find components to meet their specific needs.

With the principle of “Quality Parts,Customers Priority,Honest Operation,and Considerate Service”,our business mainly focus on the distribution of electronic components. Line cards we deal with include Microchip,ALPS,ROHM,Xilinx,Pulse,ON,Everlight and Freescale. Main products comprise IC,Modules,Potentiometer,IC Socket,Relay,Connector.Our parts cover such applications as commercial,industrial, and automotives areas.

We are looking forward to setting up business relationship with you and hope to provide you with the best service and solution. Let us make a better world for our industry!



Contact us

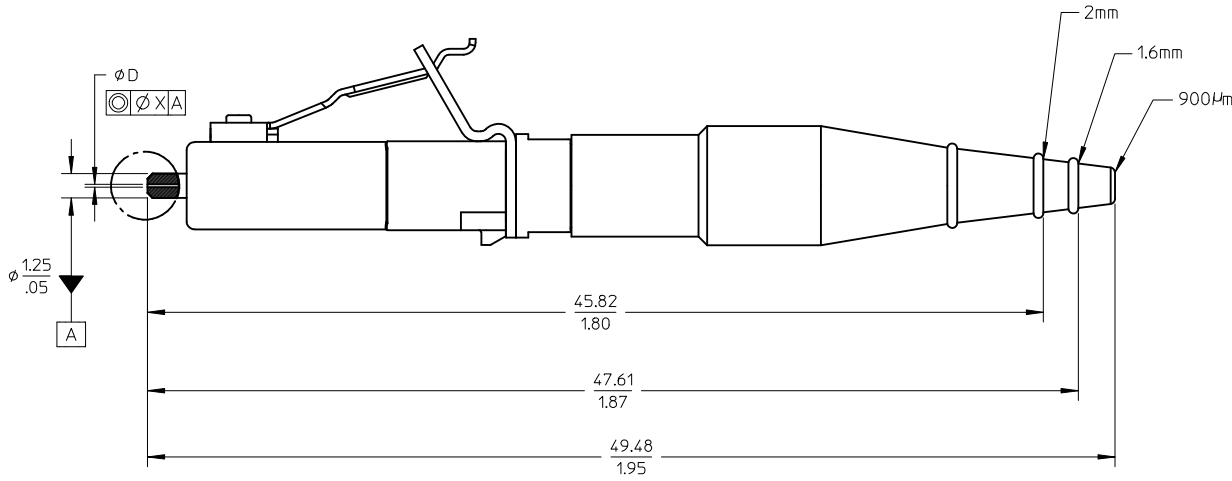
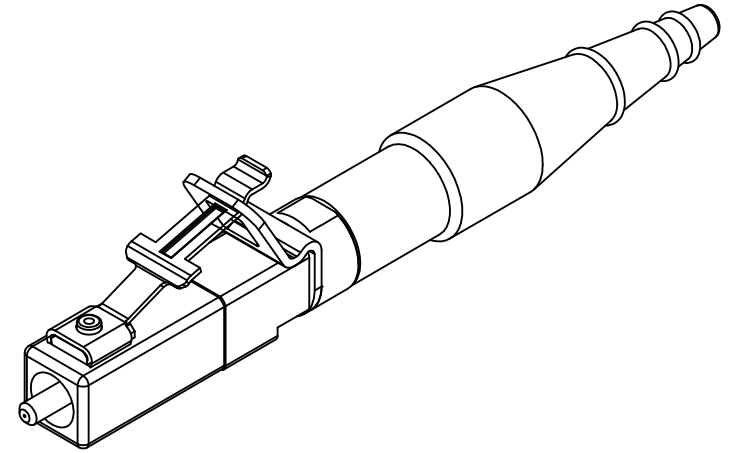
Tel: +86-755-8981 8866 Fax: +86-755-8427 6832

Email & Skype: info@chipsmall.com Web: www.chipsmall.com

Address: A1208, Overseas Decoration Building, #122 Zhenhua RD., Futian, Shenzhen, China



PART NUMBER	COLOR / TYPE	φD (μm)	φX (μm)
106397-5301	BLUE / SM	126	1
106397-5500	GOLD / MM	127	3
106397-5501		142	
106397-5502		172	



NOTES:

1. DIMENSIONS ARE FOR REFERENCE ONLY.
2. BOOT CUT AT LINES SHOWN FOR DIFFERENT CABLE SIZES.

ENTER DESCRIPTION EC NO: MF2010-0528 DRAWN/EEFUNG 2010/06/03 CHKD:SERNST 2010/06/04 APPR:WCHEN 2010/06/10	DESCRIPTION REV A	QUALITY SYMBOLS	GENERAL TOLERANCES (UNLESS SPECIFIED)	DIMENSION STYLE	SCALE	DESIGN UNITS	THIRD ANGLE PROJECTION	
		▼=0 ∇=0	mm INCH 4 PLACES ± --- ± --- 3 PLACES ± --- ± --- 2 PLACES ± --- ± --- 1 PLACE ± --- ± ---	MM/IN	4:1	METRIC	DRAWN BY DATE EEFUNG 2010/06/03 CHECKED BY DATE SERNST 2010/06/04 APPROVED BY DATE WCHEN 2010/06/10	TITLE
			ANGULAR ± 1 °				LC2+ HIGH TEMP CONNECTOR	
			DRAFT WHERE APPLICABLE MUST REMAIN WITHIN DIMENSIONS				MATERIAL NO. SEE TABLE DOCUMENT NO. SD-106397-5300	SHEET NO. 1 OF 1