



Chipsmall Limited consists of a professional team with an average of over 10 year of expertise in the distribution of electronic components. Based in Hongkong, we have already established firm and mutual-benefit business relationships with customers from,Europe,America and south Asia,supplying obsolete and hard-to-find components to meet their specific needs.

With the principle of “Quality Parts,Customers Priority,Honest Operation,and Considerate Service”,our business mainly focus on the distribution of electronic components. Line cards we deal with include Microchip,ALPS,ROHM,Xilinx,Pulse,ON,Everlight and Freescale. Main products comprise IC,Modules,Potentiometer,IC Socket,Relay,Connector.Our parts cover such applications as commercial,industrial, and automotives areas.

We are looking forward to setting up business relationship with you and hope to provide you with the best service and solution. Let us make a better world for our industry!



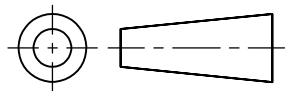
Contact us

Tel: +86-755-8981 8866 Fax: +86-755-8427 6832

Email & Skype: info@chipsmall.com Web: www.chipsmall.com

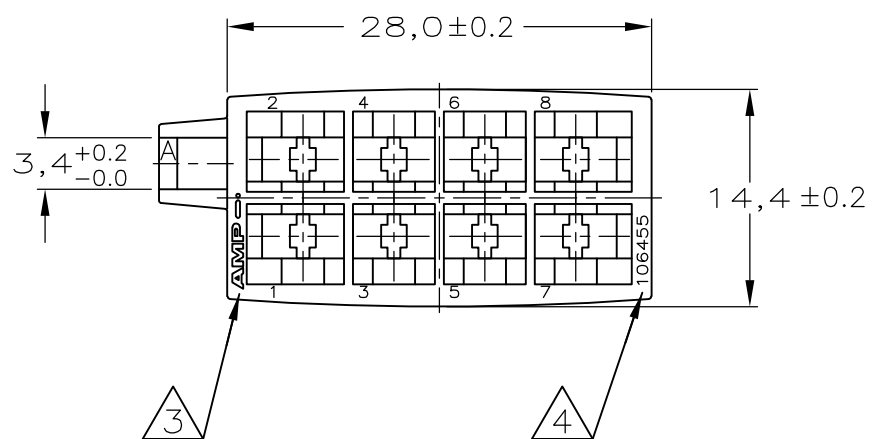
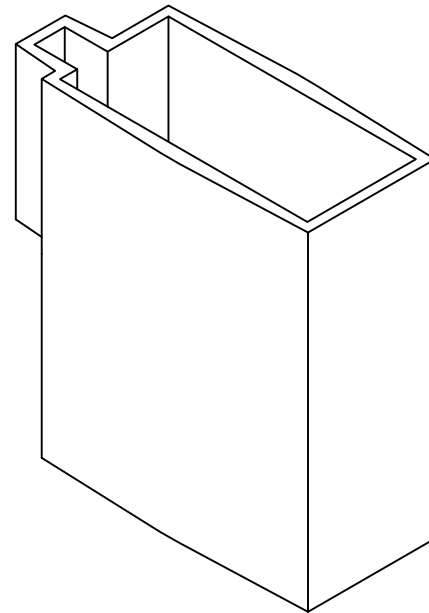
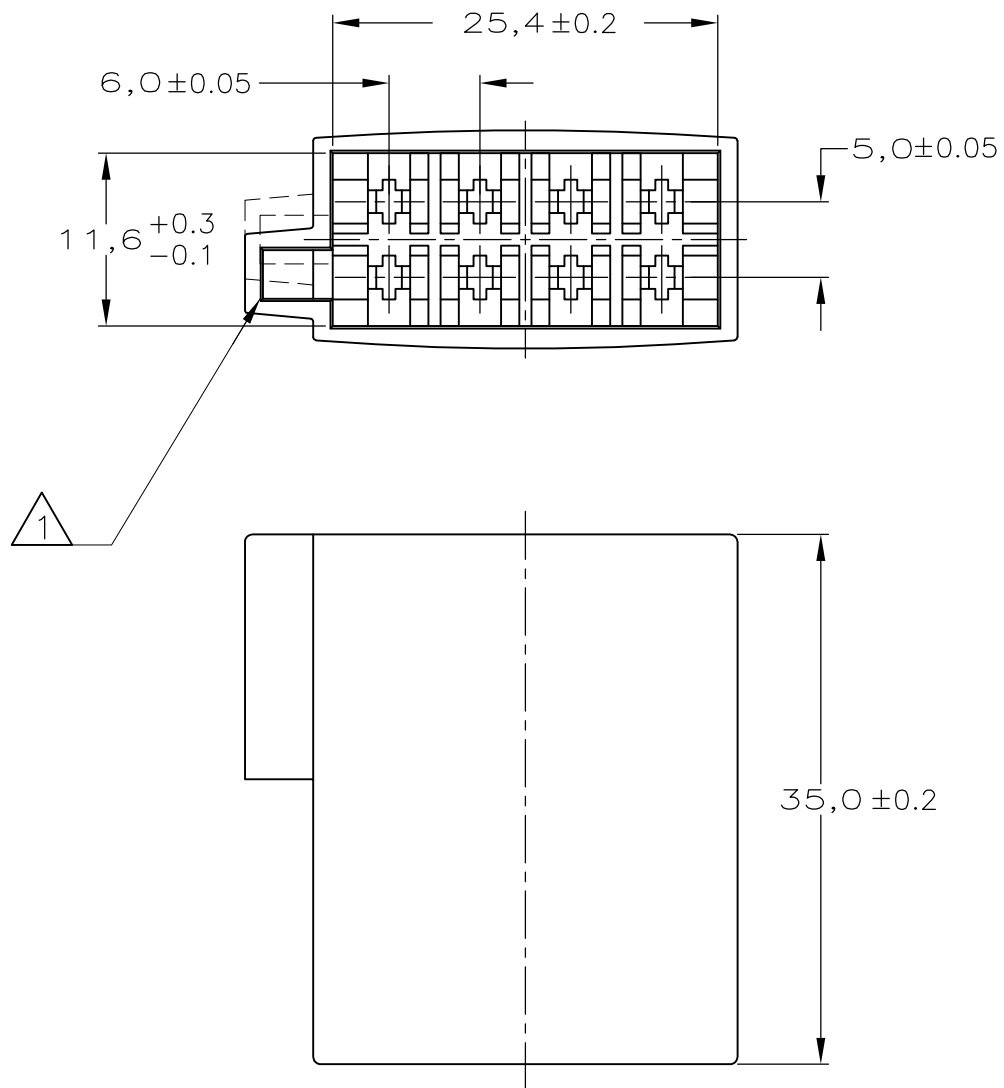
Address: A1208, Overseas Decoration Building, #122 Zhenhua RD., Futian, Shenzhen, China






NOTES:

- ① TWO DIFFERENT KEYING VERSIONS
- ② TABS 160743 (STANDARD) AND 927892 (SIDEWAY) CAN BE USED IN THIS HOUSING
- ③ AMP TRADE MARK.
- ④ TE PN. IDENTIFICATION.



- 1 AS SHOWN

BROWN	PBT	106455-4
GREY	PBT	106455-3
YELLOW	PBT	106455-2
BLACK	PBT	106455-1

		FINISH			MATERIAL		PARTNUMBER			
-	-	-	-	-	CUSTOMER DRAWING FOR REFERENCE ONLY WILL NOT BE UPDATED					
D1	ECR-12-008730	PKS	RRP	11MAY2012	© COPYRIGHT 19 - BY TE AMP HOLLAND B.V. ALL INTERNATIONAL RIGHTS RESERVED. TE PRODUCTS MAY BE COVERED BY U.S. AND FOREIGN AND/OR PATENTS PENDING. THIS DRAWING IS UNPUBLISHED RELEASED FOR PUBLICATION ,19					
D	EH-0255-94	JvL	RotB	13-04-94	 TE Connectivity					
C	EH-0003-94	JvL	RotB	12-01-94						
B	EH-0795-93	JvL	RotB	19-10-93						
A	EH-0692-93	JvL	RotB	17-09-93						
O	EH-0587-93	JvL	RotB	23-07-93						
LTR.	REVISION RECORD			DR.	CHK.	DATE				
DR.:	J.v.LIEMPT	CHK.:	R.o.t.BERG	APP.:	L.v.SOEST	DWG.No.		REV.LTR.	SHEET	A3
DATE:	23 JUL 93	DATE:	-	DATE:	-	C-106455		01	1 OF 1	

