



Chipsmall Limited consists of a professional team with an average of over 10 year of expertise in the distribution of electronic components. Based in Hongkong, we have already established firm and mutual-benefit business relationships with customers from,Europe,America and south Asia,supplying obsolete and hard-to-find components to meet their specific needs.

With the principle of “Quality Parts,Customers Priority,Honest Operation,and Considerate Service”,our business mainly focus on the distribution of electronic components. Line cards we deal with include Microchip,ALPS,ROHM,Xilinx,Pulse,ON,Everlight and Freescale. Main products comprise IC,Modules,Potentiometer,IC Socket,Relay,Connector.Our parts cover such applications as commercial,industrial, and automotives areas.

We are looking forward to setting up business relationship with you and hope to provide you with the best service and solution. Let us make a better world for our industry!



Contact us

Tel: +86-755-8981 8866 Fax: +86-755-8427 6832

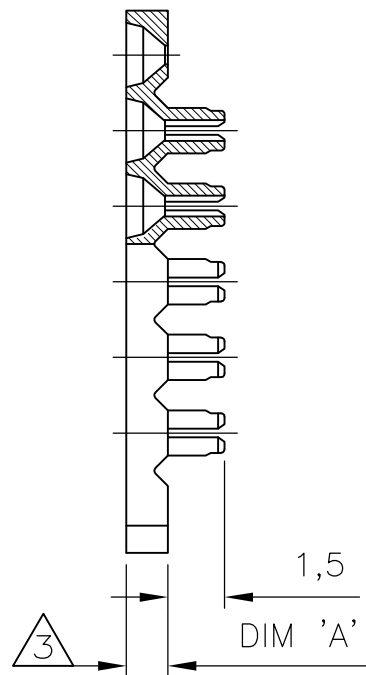
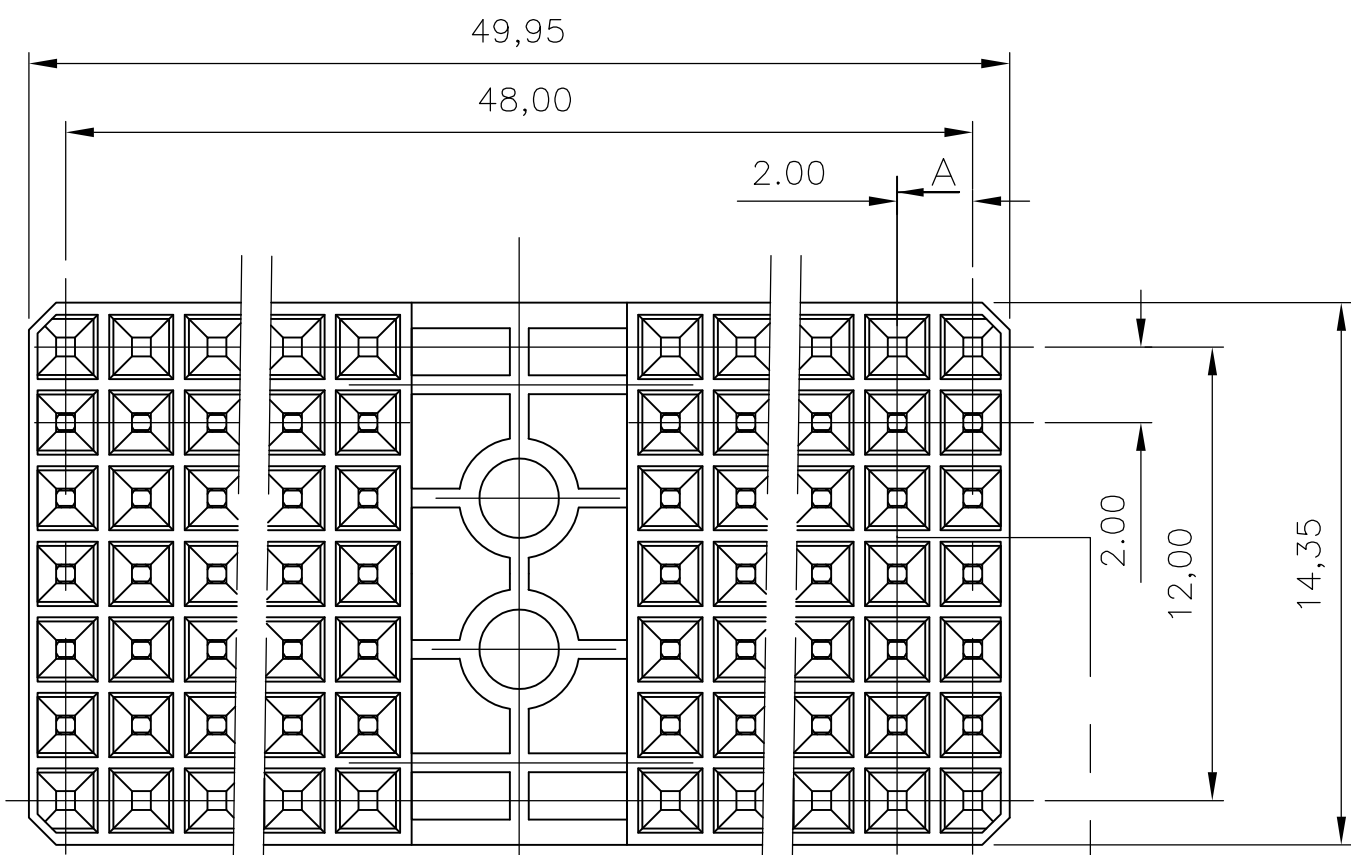
Email & Skype: info@chipsmall.com Web: www.chipsmall.com

Address: A1208, Overseas Decoration Building, #122 Zhenhua RD., Futian, Shenzhen, China



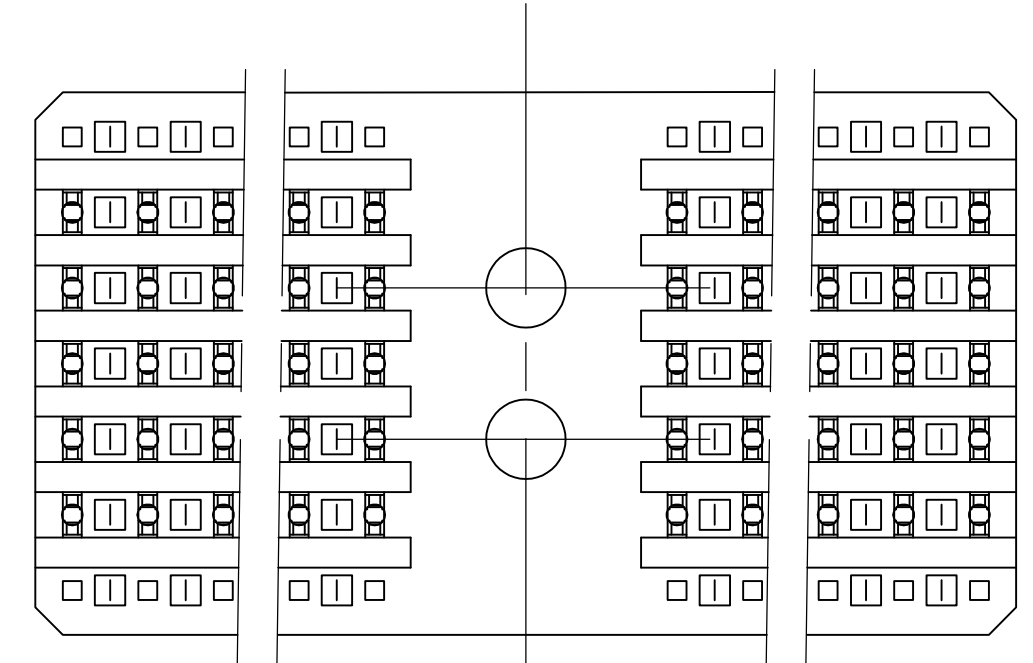
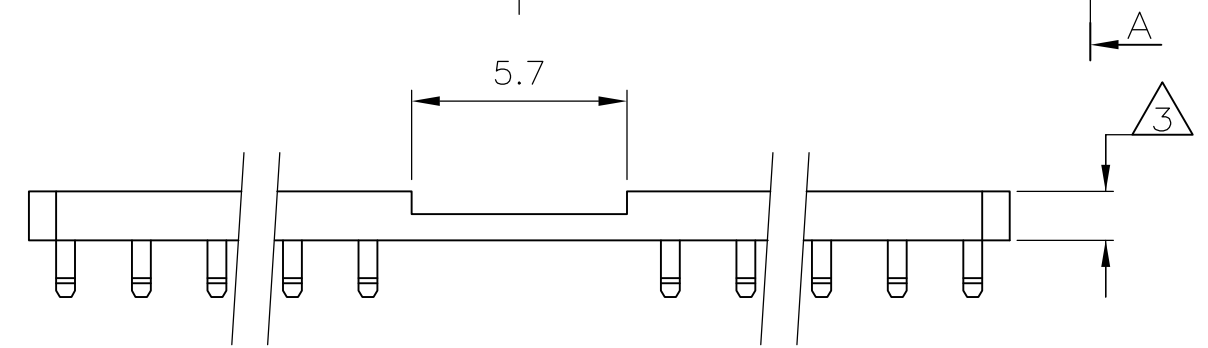
THIS DRAWING IS UNPUBLISHED. / QUESTO DISEGNO NON DEVE ESSERE DIVULGATO O RIPRODOTTO / RELEASED FOR PUBLICATION / LIBRE DE SER PUBLICADO / ALL INTERNATIONAL RIGHTS RESERVED. TODOS LOS DERECHOS RESERVADOS. LOS PRODUCTOS AMP ESTAN CUBIERTOS POR PATENTES ACTUALES O PENDIENTES / COPYRIGHT - BY TYCO ELECTRONICS CORPORATION.

LOC	DIST	REVISIONS					
—	—	P	LTR REV	DESCRIPTION BESCHREIBUNG	DATE DATA	DWN DESS.	APVD APP.
		E		REVISED PER ECO-11-001163	17JAN11	RC	CW



NOTES:

- 1 MATERIAL: UNFILLED POLYESTER.(GREY)
- 2 0-106457-4 AS SHOWN.
- 3 VARIABLE HEIGHT.
- 4 TO DETERMINE THE RECOMMENDED SPACER-THICKNESS FOR A GIVEN PCB THICKNESS: SEE APPLICATION SPECIFICATION 114-19031.
- 5 OBSOLETE PARTS: OBSOLETE CIS STREAMLINING PER D.RENAUD/D.SINISI



	PARTNUMBER	4 DIM "A"
5 OBSOLETE	0-106457-1	0,7
	0-106457-2	0,9
OBSOLETE	0-106457-3	1,1
	0-106457-4	1,3
	0-106457-5	1,5
	0-106457-6	1,7
	0-106457-7	1,9

THIS DRAWING IS A CONTROLLED DOCUMENT. / QUESTO DISEGNO E' UN DOCUMENTO CONTROLLATO.		DWN/DES 29 JUNE 1993 / L.V.D.HEIJDEN		Tyco Electronics Corporation / Oostkamp, Belgium.	
DIMENSIONS: DIMENSIES mm		CHK/COMP 29 JUNE 1993 / F.V.KONINGSBRUGGE		APVD F.V.KONINGSBRUGGE	
TOLERANCES UNLESS OTHERWISE SPECIFIED: TOLERANCIAS (SUIV NB DE DECIMALES):		PRODUCT SPEC		NAME	
0 - PLC/LUG ± —		108-19082		Z-PACK 2mm HM SPACER TYPE A	
1 - PLC/LUG ± —		APPLICATION SPEC SPEC. APPLICATION		SIZE TAM CAGE CODE CODIGO DRAWING NO	
2 - PLC/DEC ± ±0.2		114-19029		A3 00779 C- 106457	
3 - PLC/LUG ± —		WEIGHT PESO		RESTRICTED TO RESERVE A	
4 - PLC/LUG ± —		—		—	
ANGLES/ANGULARES ± —		MATERIAL 1		UNIQUEMENT POUR REFERENCE	
FINISH/OBERFLAECHE/FARBE ACABADO		SEE TABLE		SCALE ESCALA — SHEET FEUILLE 1 OF 1	
		CUSTOMER DRAWING/PLAN CLIENT		REV E	