



Chipsmall Limited consists of a professional team with an average of over 10 year of expertise in the distribution of electronic components. Based in Hongkong, we have already established firm and mutual-benefit business relationships with customers from,Europe,America and south Asia,supplying obsolete and hard-to-find components to meet their specific needs.

With the principle of “Quality Parts,Customers Priority,Honest Operation,and Considerate Service”,our business mainly focus on the distribution of electronic components. Line cards we deal with include Microchip,ALPS,ROHM,Xilinx,Pulse,ON,Everlight and Freescale. Main products comprise IC,Modules,Potentiometer,IC Socket,Relay,Connector.Our parts cover such applications as commercial,industrial, and automotives areas.

We are looking forward to setting up business relationship with you and hope to provide you with the best service and solution. Let us make a better world for our industry!



Contact us

Tel: +86-755-8981 8866 Fax: +86-755-8427 6832

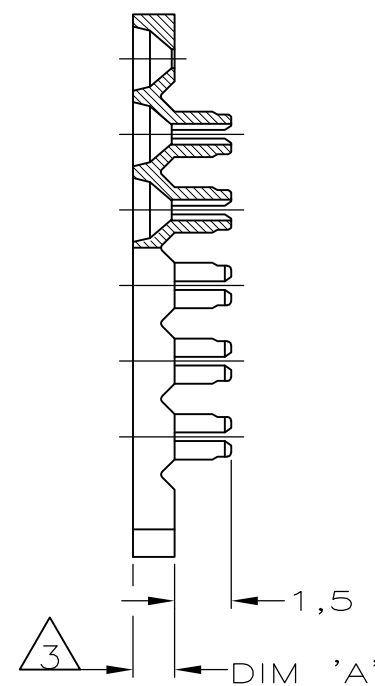
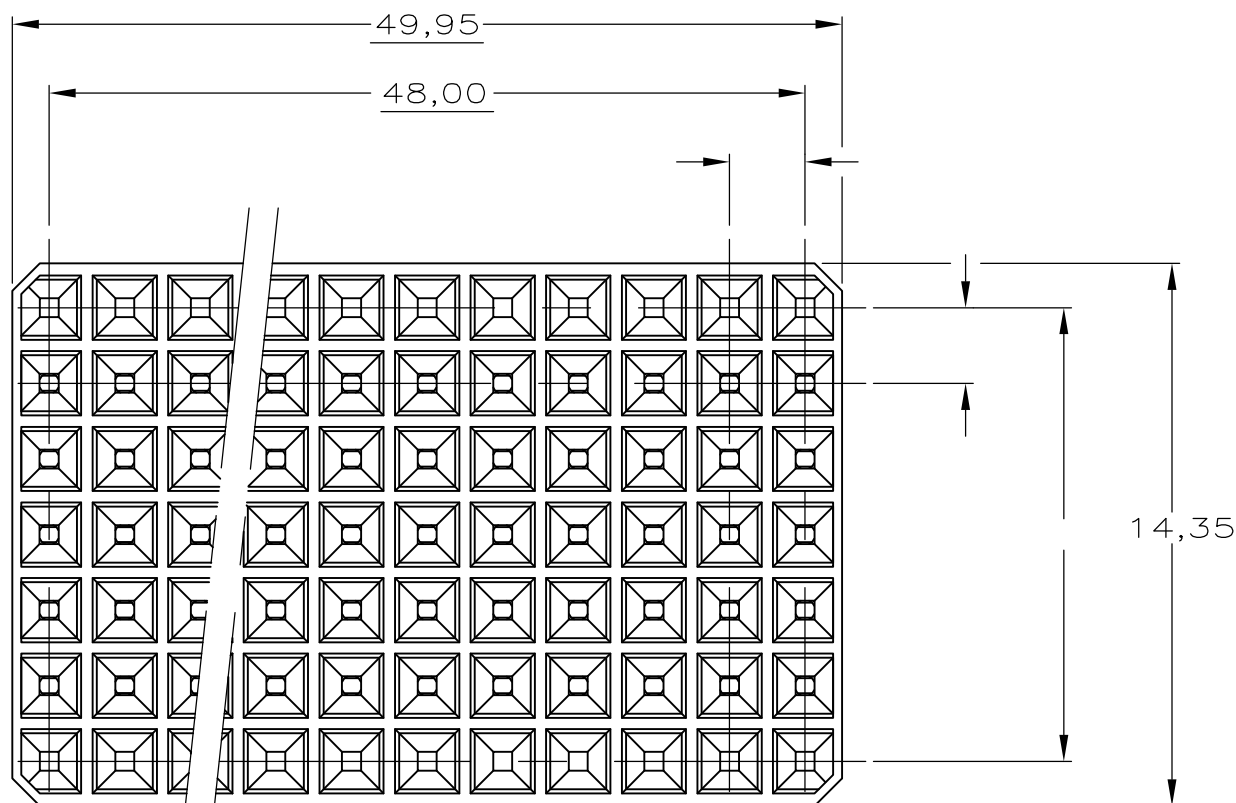
Email & Skype: info@chipsmall.com Web: www.chipsmall.com

Address: A1208, Overseas Decoration Building, #122 Zhenhua RD., Futian, Shenzhen, China



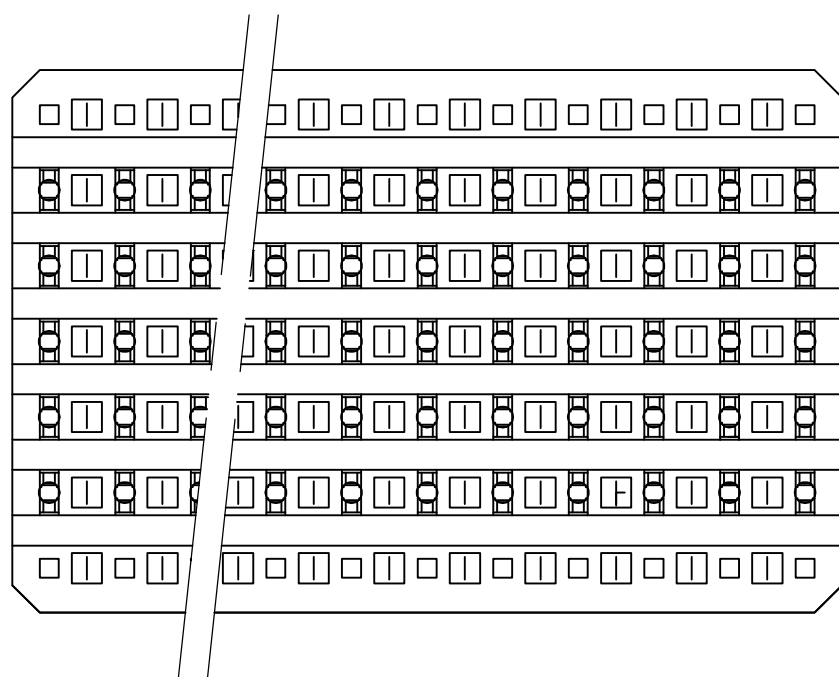
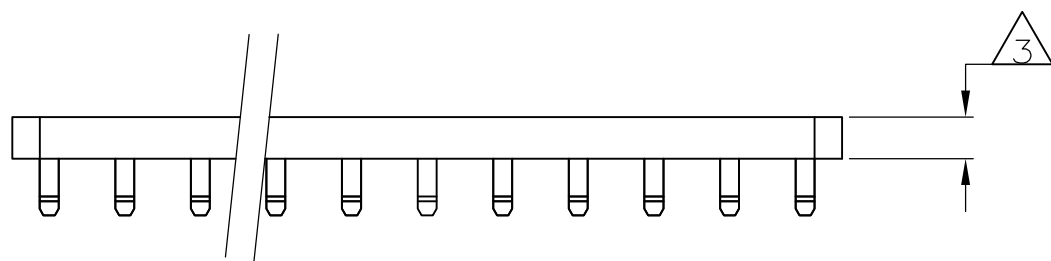
THIS DRAWING IS UNPUBLISHED. RELEASED FOR PUBLICATION
 © COPYRIGHT BY TYCO ELECTRONICS CORPORATION. ALL INTERNATIONAL RIGHTS RESERVED.

LOC	DIST	REVISIONS					
		P	LTR	DESCRIPTION	DATE	DWN	APVD
-	-	E		REVISED PER ECO-11-001163	17JAN11	RC	CW



NOTES:

1. MATERIAL: UNFILLED POLYESTER.(GREY)
2. 0-106458-3 AS SHOWN.
3. VARIABLE HEIGHT.
4. TO DETERMINE THE RECOMMENDED SPACER-THICKNESS FOR A GIVEN PCB THICKNESS: SEE APPLICATION SPECIFICATION 114-19031.



	PARTNUMBER	4 DIM "A"
OBSOLETE	0-106458-1	0,7
	0-106458-2	0,9
OBSOLETE	0-106458-3	1,1
	0-106458-4	1,3
	0-106458-5	1,5
	0-106458-6	1,7
	0-106458-7	1,9

THIS DRAWING IS A CONTROLLED DOCUMENT.		DWN L.V.D.HEIJDEN 29 JUNE '93	Tyco Electronics Corporation Harrisburg, PA 17105-3608	
DIMENSIONS: mm		CHK F.V.KONINGSBRUGGE 24 JUN 1997	NAME Z-PACK 2mm HM SPACER, TYPE B 25 COLUMNS	
TOLERANCES UNLESS OTHERWISE SPECIFIED:		APVD F.V.KONINGSBRUGGE 24 JUN 1997	PRODUCT SPEC 108-19082	
0 PLC ± -		APPLICATION SPEC 114-19029	SIZE A3	CAGE CODE 00779
1 PLC ± -		WEIGHT -	DRAWING NO C-106458	RESTRICTED TO -
2 PLC ± - ±0.2		CUSTOMER DRAWING		
3 PLC ± -		SCALE -	SHEET 1 OF 1	REV E
4 PLC ± -				
ANGLES ± -				
FINISH -				