



Chipsmall Limited consists of a professional team with an average of over 10 year of expertise in the distribution of electronic components. Based in Hongkong, we have already established firm and mutual-benefit business relationships with customers from,Europe,America and south Asia,supplying obsolete and hard-to-find components to meet their specific needs.

With the principle of “Quality Parts,Customers Priority,Honest Operation,and Considerate Service”,our business mainly focus on the distribution of electronic components. Line cards we deal with include Microchip,ALPS,ROHM,Xilinx,Pulse,ON,Everlight and Freescale. Main products comprise IC,Modules,Potentiometer,IC Socket,Relay,Connector.Our parts cover such applications as commercial,industrial, and automotives areas.

We are looking forward to setting up business relationship with you and hope to provide you with the best service and solution. Let us make a better world for our industry!



Contact us

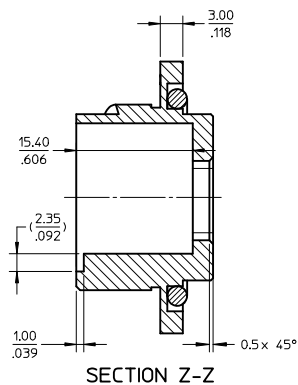
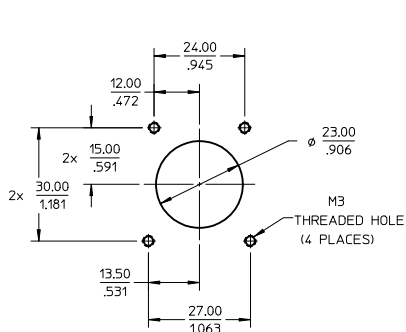
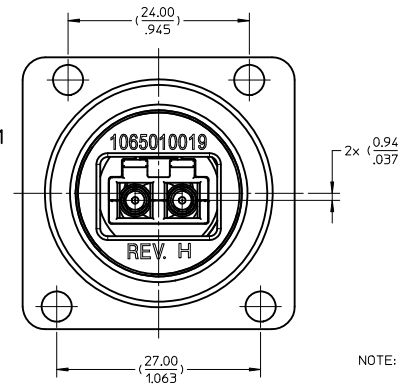
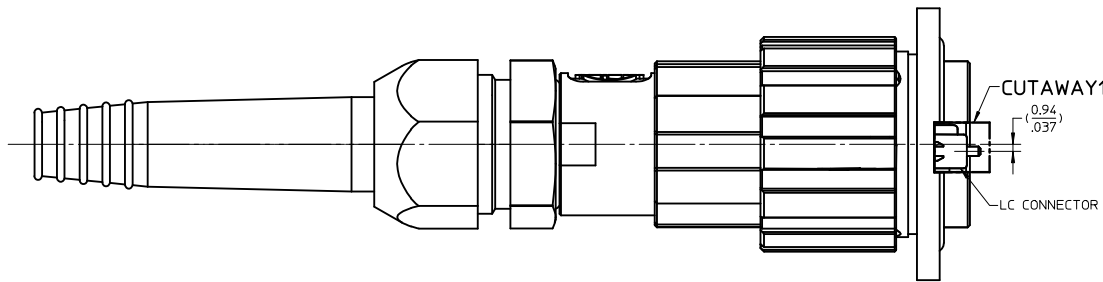
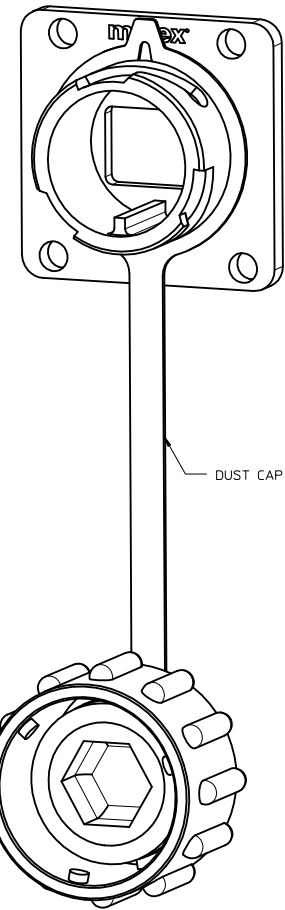
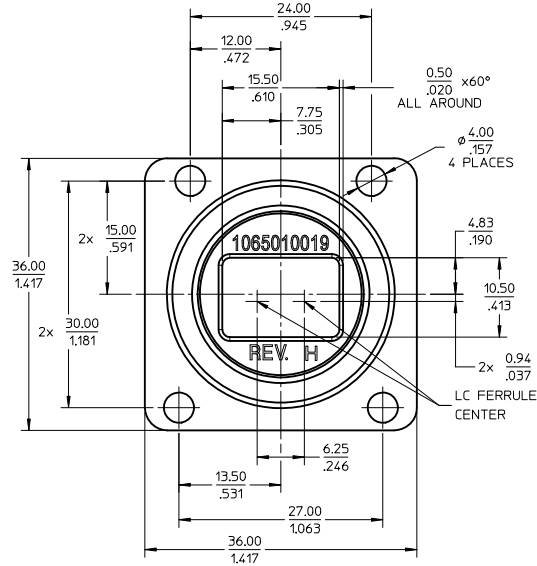
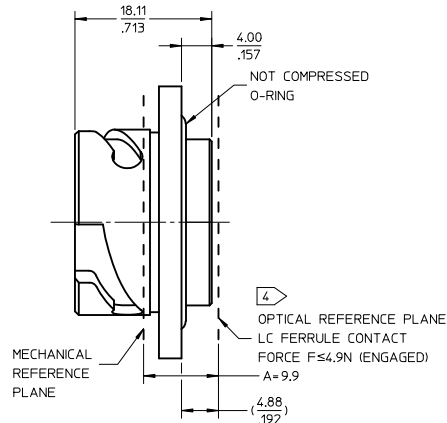
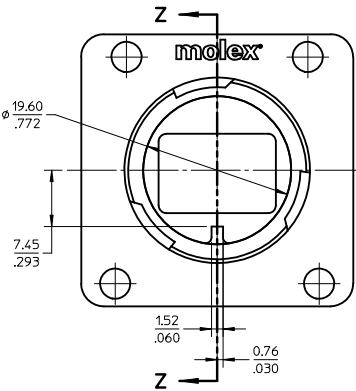
Tel: +86-755-8981 8866 Fax: +86-755-8427 6832

Email & Skype: info@chipsmall.com Web: www.chipsmall.com

Address: A1208, Overseas Decoration Building, #122 Zhenhua RD., Futian, Shenzhen, China



	IF	THEN
1	F=0	A≥10.45mm
2	A≤10.4mm	F≥4.1N
3	A≥9.9mm	F≤4.9N



- NOTE:
- ALL DIMENSIONS ARE FOR REFERENCE ONLY.
 - ADAPTER HOUSING MATERIAL - ZINC ALLOY AG40A (ZAMAK 3).
FINISH:
TOPCOAT: ELECTROLESS NICKEL PLATING PER ASTM B733-04 SC2.
TYPE V, CLASS 1 PLATING THICKNESS 0.013mm MIN.(0.0005in).
UNDERCOAT: COPPER PER MIL-C-14550B, CLASS 2
THICKNESS 0.0025-0.005mm (0.0001-0.0002in)
 - O-RING MATERIAL - ETHYLENE-PROPYLENE,
70 DUROMETERS SHORE A.
 - SEE TABLE FOR FERRULE EXTENSION AND CONTACT FORCE.

ENTER DESCRIPTION EC NO: MF 2010-0277 DRWN: L.SADAUSKAS 2009/12/17 CHKD: 2009/12/17 APPR: WCHEN 2009/12/17	QUALITY SYMBOLS ▽=0 ▽=0	GENERAL TOLERANCES (UNLESS SPECIFIED)		DIMENSION STYLE IN/MM		SCALE 2:1	DESIGN UNITS INCH	THIRD ANGLE PROJECTION			
		4 PLACES ± --- ± --- 3 PLACES ± --- ± .005 2 PLACES ± 0.13 ± --- 1 PLACE ± 0.13 ± --- ANGULAR ± 1/2°	mm INCH ± --- ± --- ± .005 ± --- ± 0.13 ± --- ± 0.13 ± ---	DRAWN BY L.SADAUSKAS	DATE 2008/08/19	CHECKED BY DATE		SIMPLIFIED SFP RECEPTACLE ASSEMBLY			
		DRAFT WHERE APPLICABLE MUST REMAIN WITHIN DIMENSIONS		APPROVED BY B.ANDREI	DATE 2008/08/19	MATERIAL NO. 1065010019					
		THIS DRAWING CONTAINS INFORMATION THAT IS PROPRIETARY TO MOLEX INCORPORATED AND SHOULD NOT BE USED WITHOUT WRITTEN PERMISSION									