



Chipsmall Limited consists of a professional team with an average of over 10 year of expertise in the distribution of electronic components. Based in Hongkong, we have already established firm and mutual-benefit business relationships with customers from,Europe,America and south Asia,supplying obsolete and hard-to-find components to meet their specific needs.

With the principle of “Quality Parts,Customers Priority,Honest Operation,and Considerate Service”,our business mainly focus on the distribution of electronic components. Line cards we deal with include Microchip,ALPS,ROHM,Xilinx,Pulse,ON,Everlight and Freescale. Main products comprise IC,Modules,Potentiometer,IC Socket,Relay,Connector.Our parts cover such applications as commercial,industrial, and automotives areas.

We are looking forward to setting up business relationship with you and hope to provide you with the best service and solution. Let us make a better world for our industry!



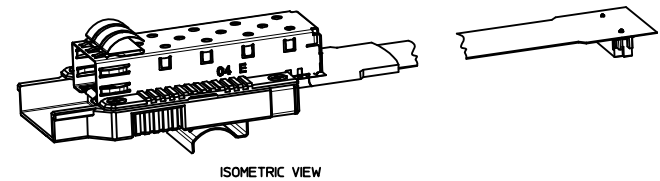
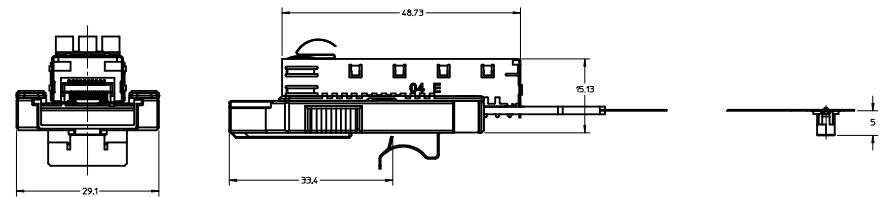
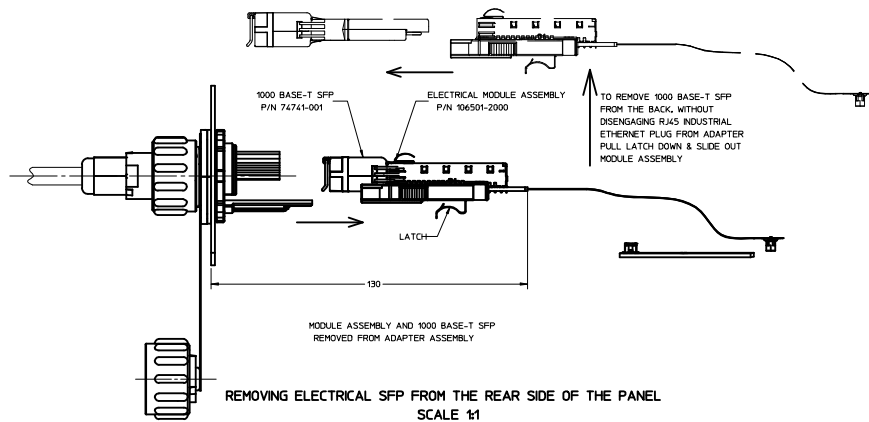
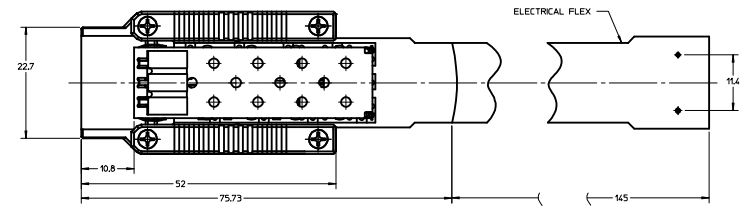
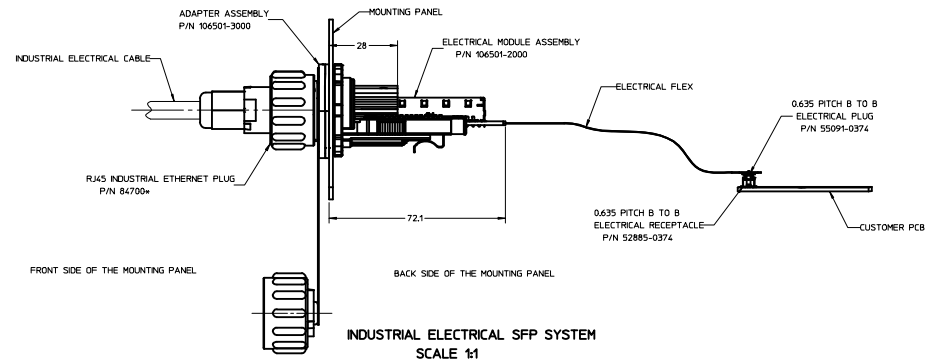
Contact us

Tel: +86-755-8981 8866 Fax: +86-755-8427 6832

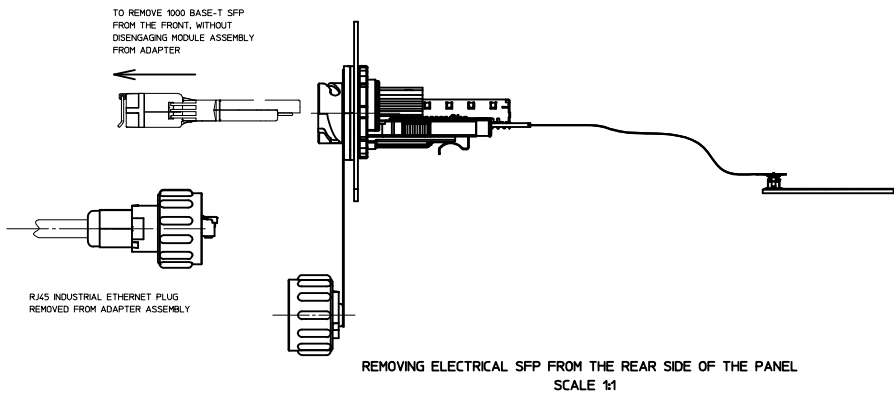
Email & Skype: info@chipsmall.com Web: www.chipsmall.com

Address: A1208, Overseas Decoration Building, #122 Zhenhua RD., Futian, Shenzhen, China





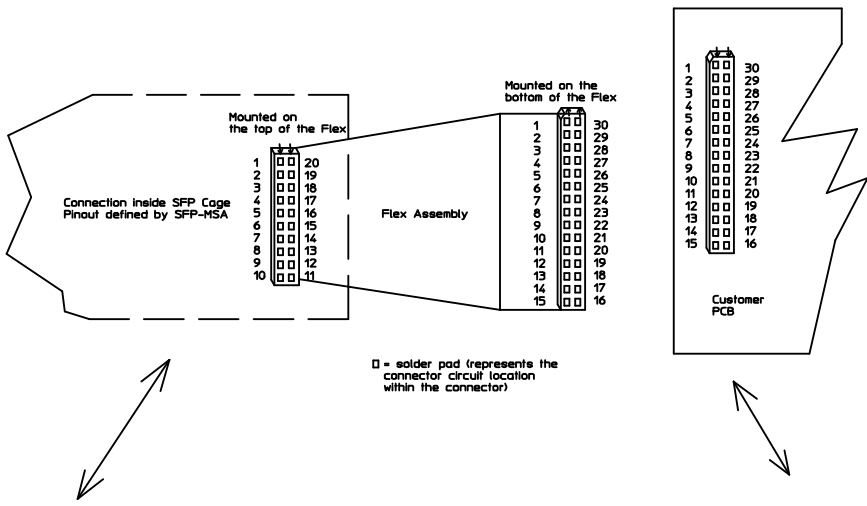
NOTE:
ALL DIMENSIONS ARE FOR REFERENCE ONLY.



ENTER DESCRIPTION IEC NO: MF2010-0179 DRAWN: SADAUSK/ENE 2009/10/22 CHKD: 2009/10/23 APPR: BANDRELL 2009/10/23	QUALITY SYMBOLS ▽=0 ▽=0	GENERAL TOLERANCES (UNLESS SPECIFIED) mm INCH 4 PLACES ± --- ± --- 3 PLACES ± --- ± --- 2 PLACES ± --- ± --- 1 PLACE ± --- ± --- ANGULAR ±1/2°	DIMENSION STYLE MM ONLY DRAWN BY: BG DATE: 12/01/05 CHECKED BY: SE DATE: 12/15/05 APPROVED BY:	SCALE: 2:1 DESIGN UNITS: METRIC THIRD ANGLE PROJECTION	TITLE: INDUSTRIAL ELECT'R'L SFP MODULE ASSEMBLY
	DRAFT WHERE APPLICABLE MUST REMAIN WITHIN DIMENSIONS		MATERIAL NO: 1065012000	DOCUMENT NO: SD-106501-2000	SHEET NO: 1 OF 2
	MOLEX INCORPORATED				
	THIS DRAWING CONTAINS INFORMATION THAT IS PROPRIETARY TO MOLEX INCORPORATED AND SHOULD NOT BE USED WITHOUT WRITTEN PERMISSION				

Pin #	Name	Function	Plug Sequence (from SFP)	Notes
1	VeeT	Transmitter Ground	1	Note 6
2	TD+	Inv. Transmit Data In	3	Note 9
3	VeeT	Transmitter Ground	1	Note 6
4	TD+	Transmit Data In	3	Note 9
5	VeeT	Transmitter Ground	1	Note 6
6	VccT	Transmitter Power	2	3.3 ± 5%, Note 8
7	Ground	Ground		
8	Ground	Ground		
9	Ground	Ground		
10	VccR	Receiver Power	2	3.3 ± 5%, Note 8
11	VeeR	Receiver Ground	1	Note 6
12	RD+	Received Data Out	3	Note 7
13	VeeR	Receiver Ground	1	Note 6
14	RD+	Inv. Received Data Out	3	Note 7
15	VeeR	Receiver Ground	1	Note 6
16	VeeR	Receiver Ground	1	Note 6
17	VeeR	Receiver Ground	1	Note 6
18	LOS	Loss of Signal	3	Note 5
19	Rate Select	Full or reduced receiver bandwidth	3	Note 4, Low or Open = Reduced Bandwidth, High = Full Bandwidth
20	Ground	Ground		
21	Ground	Ground		
22	Ground	Ground		
23	Ground	Ground		
24	VeeC	Clock Ground	1	Note 6
25	MOD-DEF0	Module Definition 0 (Ground)	3	Note 3, grounded in module
26	MOD-DEF1	Module Definition 1 (Clock)	3	Note 3, 2 wire serial ID interface
27	MOD-DEF2	Module Definition 2 (Data)	3	Note 3, 2 wire serial ID interface
28	TX Disable	Transmitter Disable	3	Note 2, module disables on high or open
29	TX Fault	Transmitter Fault Indication	3	Note 1
30	VeeT	Transmitter Ground	1	Note 6

Industrial SFP Circuit Wiring Scheme



NOTES:

- Plug Sequence = Pin engagement sequence during hot plugging of SFP Module.
- 1) TX Fault is an open collector/drain output, which should be pulled up with a 4.7K - 10K W resistor on the host board. Pull up voltage between 2.0V and VccT, R=0.3V. When high, output indicates a laser fault of some kind, Low indicates normal operation. In the low state, the output will be pulled to < 0.8V.
- 2) TX disable is an input that is used to shut down the transmitter optical output. It is pulled up within the module with a 4.7 - 10 K W resistor. Its states are:
 Low (0 - 0.8V): Transmitter on
 (0.8 - 2.0V): Undefined
 High (2.0 - 3.45V): Transmitter Disabled
 Open: Transmitter Disabled
- 3) Mod-Def 0,1,2. These are the module definition pins. They should be pulled up with a 4.7K - 10K W resistor on the host board. The pull-up voltage shall be VccT or VccR (see Section IV for further details).
 Mod-Def 0 is grounded by the module to indicate that the module is present
 Mod-Def 1 is the clock line of two wire serial interface for serial ID
 Mod-Def 2 is the data line of two wire serial interface for serial ID
- 4) This is an optional input used to control the receiver bandwidth for compatibility with multiple data rates (most likely Fibre Channel 1x and 2x Rates). If implemented, the input will be internally pulled down with > 30k W resistor. The input states are:
 Low (0 - 0.8V): Reduced Bandwidth
 (0.8 - 2.0V): Undefined
 High (2.0 - 3.45V): Full Bandwidth
 Open: Reduced Bandwidth
- 5) LOS (Loss of Signal) is an open collector/drain output, which should be pulled up with a 4.7K - 10K W resistor. Pull up voltage between 2.0V and VccT, R=0.3V. When high, this output indicates the received optical power is below the worst-case receiver sensitivity (as defined by the standard in use). Low indicates normal operation. In the low state, the output will be pulled to < 0.8V.
- 6) VeeR, VeeT, and VeeC may be internally connected within the SFP module.
- 7) RD+/-: These are the differential receiver outputs. They are AC coupled 100 W differential lines which should be terminated with 100 W (differential) of the user SERDES. The AC coupling is done inside the module and is thus not required on the host board. The voltage swing on these lines will be between 370 and 2000 mV differential (185 - 1000 mV single ended) when properly terminated.
- 8) VccR and VccT are the receiver and transmitter power supplies. They are defined as 3.3V ± 5% of the SFP connector pin. Maximum supply current is 300 mA. Inductors with DC resistance of less than 1 W should be used in order to maintain the required voltage at the SFP input pin with 3.3V supply voltage. When the recommended supply filtering network is used, hot plugging of the SFP transceiver module will result in an inrush current of no more than 30 mA greater than the steady state value. VccR and VccT may be internally connected within the SFP transceiver module. Each Vcc will be individually filtered near the SFP connector.
- 9) TD+/-: These are the differential transmitter inputs. They are AC-coupled, differential lines with 100 W differential termination inside the module. The AC coupling is done inside the module and is thus not required on the host board. The inputs will accept differential swings of 500 - 2400 mV (250 - 1200 mV single-ended), though it is recommended that values between 500 and 1200 mV differential (250 - 600 mV single-ended) be used for best EM performance.

SFP Pinout

1 (key)	VeeT	VeeT	20
2	TXFault	TD-	19
3	TX Disable	TD+	18
4	MOD-DEF(2)	VeeT	17
5	MOD-DEF(1)	VccT	16
6	MOD-DEF(0)	VccR	15
7	Rate Select	VeeR	14
8	LOS	RD+	13
9	VeeR	RD-	12
10	VeeR	VeeR	11

Connector wiring on Customers PCB

1 (key)	VeeT (ground)	VeeT (ground)	30
2	TD-	TXFault	29
3	VeeT (ground)	TX Disable	28
4	TD+	MOD-DEF(2)	27
5	VeeT (ground)	MOD-DEF(1)	26
6	VccT	MOD-DEF(0)	25
7	Ground	VeeC (ground)	24
8	Ground	Ground	23
9	Ground	Ground	22
10	VccR	Ground	21
11	VeeR (ground)	Ground	20
12	RD+	Rate Select	19
13	VeeR (ground)	LOS	18
14	RD-	VeeR (ground)	17
15	VeeR (ground)	VeeR (ground)	16

ENTER DESCRIPTION EC NO: MF2010-0179 DRAWN: SADANSHI/ENE 2009/10/22 CHKD: 2009/10/23 APPR: BANDRELL 2009/10/23 REV: DESCRIPTION	QUALITY SYMBOLS ▽=0 ▽=0	GENERAL TOLERANCES (UNLESS SPECIFIED) mm INCH 4 PLACES +--- +--- 3 PLACES +--- +--- 2 PLACES +--- +--- 1 PLACE +--- +--- ANGULAR ±1/2°	DIMENSION STYLE MM ONLY DRAWN BY DATE BG 12/01/05 CHECKED BY DATE SE 12/15/05 APPROVED BY DATE	SCALE DESIGN UNITS METRIC THIRD ANGLE PROJECTION	TITLE INDUSTRIAL ELECTRL SFP MODULE ASSEMBLY	
	DRAFT WHERE APPLICABLE MUST REMAIN WITHIN DIMENSIONS		MATERIAL NO. 1065012000	DOCUMENT NO. SD-106501-2000	SHEET NO. 2 OF 2	
	THIS DRAWING CONTAINS INFORMATION THAT IS PROPRIETARY TO MOLEX INCORPORATED AND SHOULD NOT BE USED WITHOUT WRITTEN PERMISSION					
	MOLEX MOLEX INCORPORATED					