



Chipsmall Limited consists of a professional team with an average of over 10 year of expertise in the distribution of electronic components. Based in Hongkong, we have already established firm and mutual-benefit business relationships with customers from,Europe,America and south Asia,supplying obsolete and hard-to-find components to meet their specific needs.

With the principle of “Quality Parts,Customers Priority,Honest Operation,and Considerate Service”,our business mainly focus on the distribution of electronic components. Line cards we deal with include Microchip,ALPS,ROHM,Xilinx,Pulse,ON,Everlight and Freescale. Main products comprise IC,Modules,Potentiometer,IC Socket,Relay,Connector.Our parts cover such applications as commercial,industrial, and automotives areas.

We are looking forward to setting up business relationship with you and hope to provide you with the best service and solution. Let us make a better world for our industry!



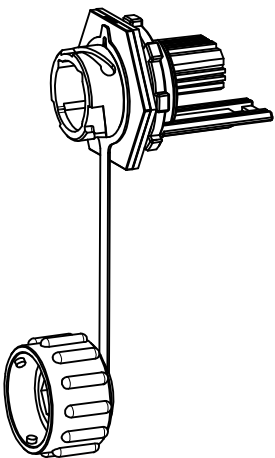
Contact us

Tel: +86-755-8981 8866 Fax: +86-755-8427 6832

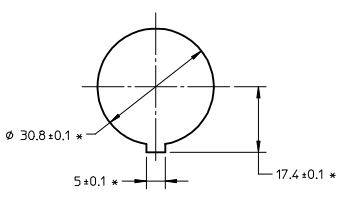
Email & Skype: info@chipsmall.com Web: www.chipsmall.com

Address: A1208, Overseas Decoration Building, #122 Zhenhua RD., Futian, Shenzhen, China

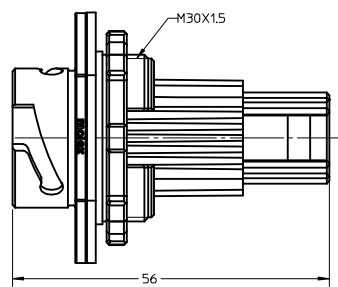




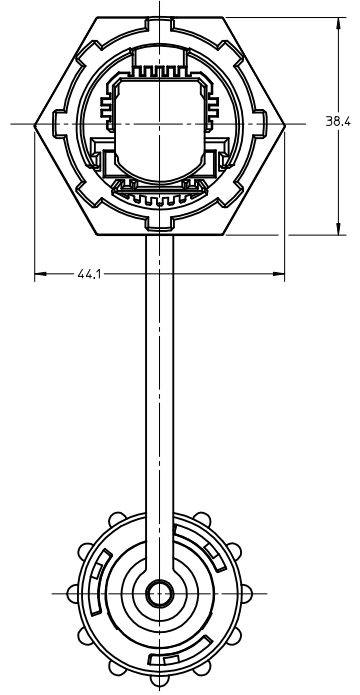
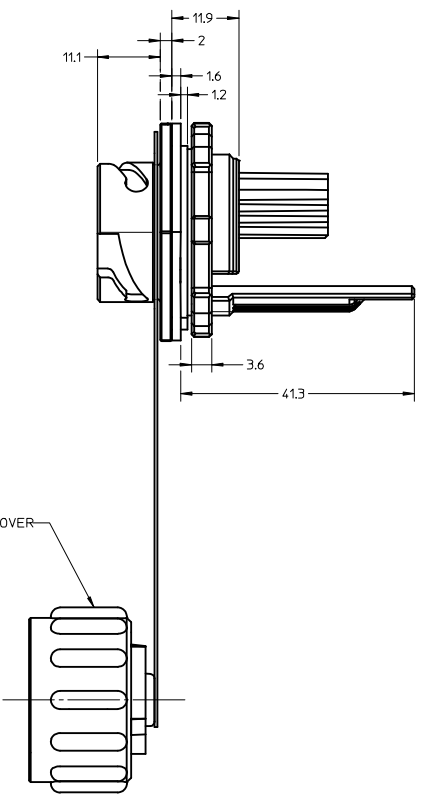
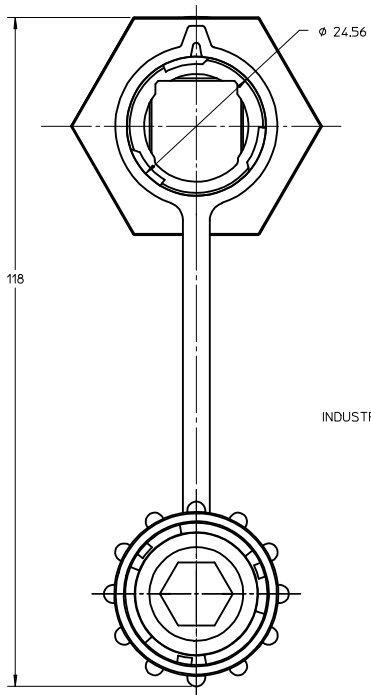
ISOMETRIC VIEW
SCALE 1:1



RECOMMENDED PANEL THICKNESS: 1.6mm-6.4mm
RECOMMENDED MOUNTING CUT-OUT
SCALE 1:1



TOP VIEW
DUST COVER IS NOT SHOWN



INDUSTRIAL DUST COVER

NOTE:
1. ALL DIMENSIONS ARE FOR REFERENCE ONLY.
2. ADAPTER ARE PACKED INDIVIDUALLY IN SELF SEALING BUBBLE BAG.
BUBBLE BAG NOT SHOWN.

ENTER DESCRIPTION EC NO: MF2009-0482 DRWN: SZEWCZYK 2009/03/23 CHKD: 2009/03/23 APPR: IGJWIN 2009/03/23	QUALITY SYMBOLS ▽=0 ▽=0	GENERAL TOLERANCES (UNLESS SPECIFIED)		DIMENSION STYLE MM ONLY	SCALE 1.5:1	DESIGN UNITS METRIC	THIRD ANGLE PROJECTION					
		4 PLACES ± --- ± ---	3 PLACES ± --- ± ---	2 PLACES ± --- ± ---	1 PLACE ± --- ± ---	DRAWN BY BG	DATE 12/01/05	CHECKED BY SE	DATE 12/15/05	APPROVED BY	DATE	TITLE RECEPTACLE ASSEMBLY INDUSTRIAL SFP
REV	DESCRIPTION	ANGULAR ±1/2°		DRAFT WHERE APPLICABLE MUST REMAIN WITHIN DIMENSIONS		MATERIAL NO. 1065013000		DOCUMENT NO. SD-106501-3000	SHEET NO. 1 OF 1	MOLEX INCORPORATED		
THIS DRAWING CONTAINS INFORMATION THAT IS PROPRIETARY TO MOLEX INCORPORATED AND SHOULD NOT BE USED WITHOUT WRITTEN PERMISSION												