



Chipsmall Limited consists of a professional team with an average of over 10 year of expertise in the distribution of electronic components. Based in Hongkong, we have already established firm and mutual-benefit business relationships with customers from,Europe,America and south Asia,supplying obsolete and hard-to-find components to meet their specific needs.

With the principle of “Quality Parts,Customers Priority,Honest Operation,and Considerate Service”,our business mainly focus on the distribution of electronic components. Line cards we deal with include Microchip,ALPS,ROHM,Xilinx,Pulse,ON,Everlight and Freescale. Main products comprise IC,Modules,Potentiometer,IC Socket,Relay,Connector.Our parts cover such applications as commercial,industrial, and automotives areas.

We are looking forward to setting up business relationship with you and hope to provide you with the best service and solution. Let us make a better world for our industry!



## Contact us

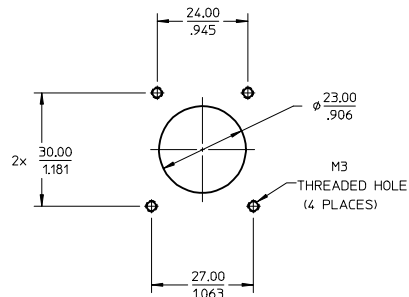
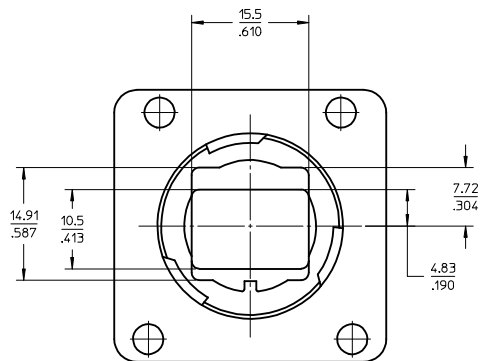
Tel: +86-755-8981 8866 Fax: +86-755-8427 6832

Email & Skype: info@chipsmall.com Web: www.chipsmall.com

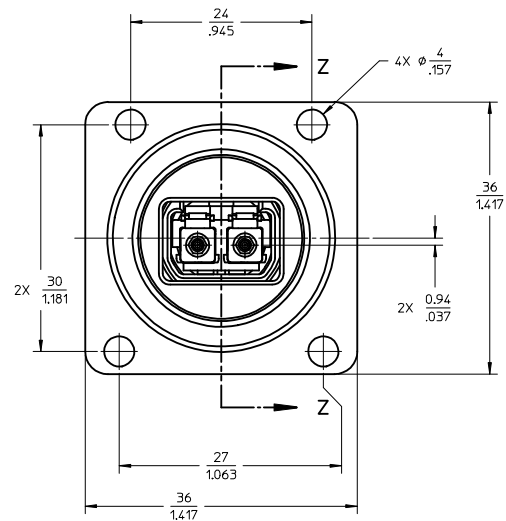
Address: A1208, Overseas Decoration Building, #122 Zhenhua RD., Futian, Shenzhen, China



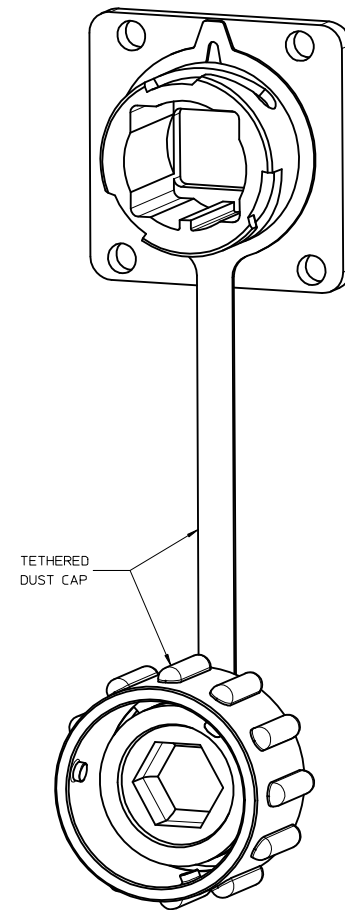
PART NUMBER	DUST CAP COLOR
1065018004	BLACK
1065018005	WHITE



RECOMMENDED MOUNTING CUTOUT  
SCALE 1:1

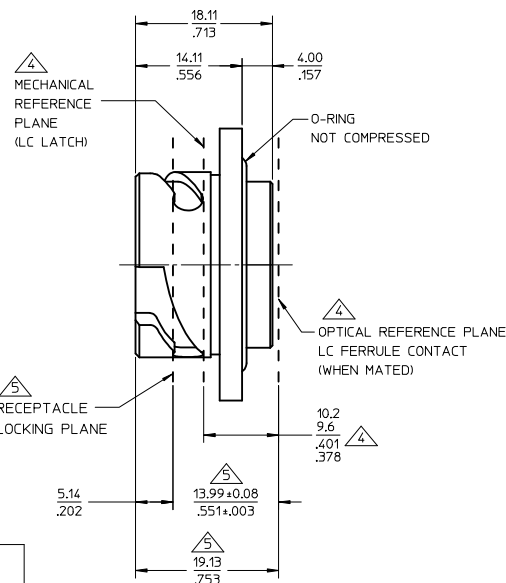
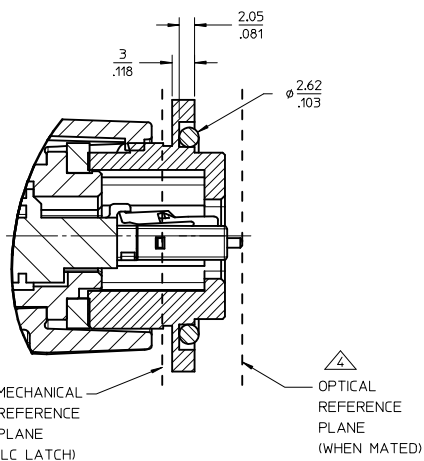


REPRESENTATIVE TRANSCEIVER SHOWN  
FOR REFERENCE THIS VIEW ONLY



NOTES:

- ALL DIMENSIONS ARE FOR REFERENCE ONLY.
- MATERIALS-  
ADAPTER HOUSING: ZINC ALLOY WITH ELECTROLESS NICKEL PLATING  
O-RING: ETHYLENE-PROPYLENE  
TETHER: BLACK - POLYETHYLENE (PE), WHITE - POLYPROPYLENE (PP)  
DUST CAP: POLYBUTYLENE TEREPHTHALATE (PBT)  
DUST CAP SEAL: SILICONE RUBBER  
DUST CAP SCREW: NICKEL PLATED BRASS
- REFERENCE OR DIMENSION PER IEC-61754-20
- REFERENCE OR DIMENSION PER ODVA STANDARD
- SEE APPLICATION CONSIDERATIONS FOR CRITERIA ON PROPER USE.



APPLICATION CONSIDERATIONS:

- THE RECEPTACLE WILL HOLD AN ODVA COMPLIANT CONNECTOR IN THE LOCATION AS SHOWN.
- THE OPTICAL AND MECHANICAL (LC LATCH) REFERENCE PLANES OF THE TRANSCEIVER MUST BE SET AT THE LOCATIONS SHOWN AS RELATED TO THE RECEPTACLE LOCKING PLANE.
- THE SFP CAGE SETS THE LOCATION OF THE TRANSCEIVER, BUT TRANSCEIVER INTERFACE DIMENSIONS DIFFER BY MANUFACTURER.
- USER MUST REFER TO SFP CAGE AND TRANSCEIVER MANUFACTURER DATASHEETS FOR DIMENSIONS TO PROPERLY LOCATE THE OPTICAL AND MECHANICAL (LC LATCH) REFERENCE PLANES.

REV	DESCRIPTION	QUALITY SYMBOLS
A	ENTER DESCRIPTION EC NO: MF2015-0390 DRWN:AECKHART 2014/12/18 CHKD:LSADAUSKAS 2015/01/12 APPR:WCHEN 2015/01/28	▽=0 ▽=0 ▽=0

GENERAL TOLERANCES (UNLESS SPECIFIED)	
mm	INCH
4 PLACES ± .005	± .0004
3 PLACES ± .003	± .0003
2 PLACES ± .002	± .0002
1 PLACE ± .001	± .0001
0 PLACE ± .000	± .0000
ANGULAR ± .000°	

DIMENSION STYLE		SCALE	DESIGN UNITS	THIRD ANGLE PROJECTION
IN/MM		2:1	INCH	☉
DRAWN BY	DATE	TITLE		
AECKHART	2014/12/10	SIMPLIFIED SFP RECEPTACLE ASSY, ODVA		
CHECKED BY	DATE			
LSADAUSKAS	2015/01/12			
APPROVED BY	DATE	DOCUMENT NO.		
WCHEN	2015/01/28	SD-106501-8004		
MATERIAL NO.		SHEET NO.		
SEE TABLE		1 OF 1		

THIS DRAWING CONTAINS INFORMATION THAT IS PROPRIETARY TO MOLEX INCORPORATED AND SHOULD NOT BE USED WITHOUT WRITTEN PERMISSION