



Chipsmall Limited consists of a professional team with an average of over 10 year of expertise in the distribution of electronic components. Based in Hongkong, we have already established firm and mutual-benefit business relationships with customers from,Europe,America and south Asia,supplying obsolete and hard-to-find components to meet their specific needs.

With the principle of “Quality Parts,Customers Priority,Honest Operation,and Considerate Service”,our business mainly focus on the distribution of electronic components. Line cards we deal with include Microchip,ALPS,ROHM,Xilinx,Pulse,ON,Everlight and Freescale. Main products comprise IC,Modules,Potentiometer,IC Socket,Relay,Connector.Our parts cover such applications as commercial,industrial, and automotives areas.

We are looking forward to setting up business relationship with you and hope to provide you with the best service and solution. Let us make a better world for our industry!



## Contact us

Tel: +86-755-8981 8866 Fax: +86-755-8427 6832

Email & Skype: info@chipsmall.com Web: www.chipsmall.com

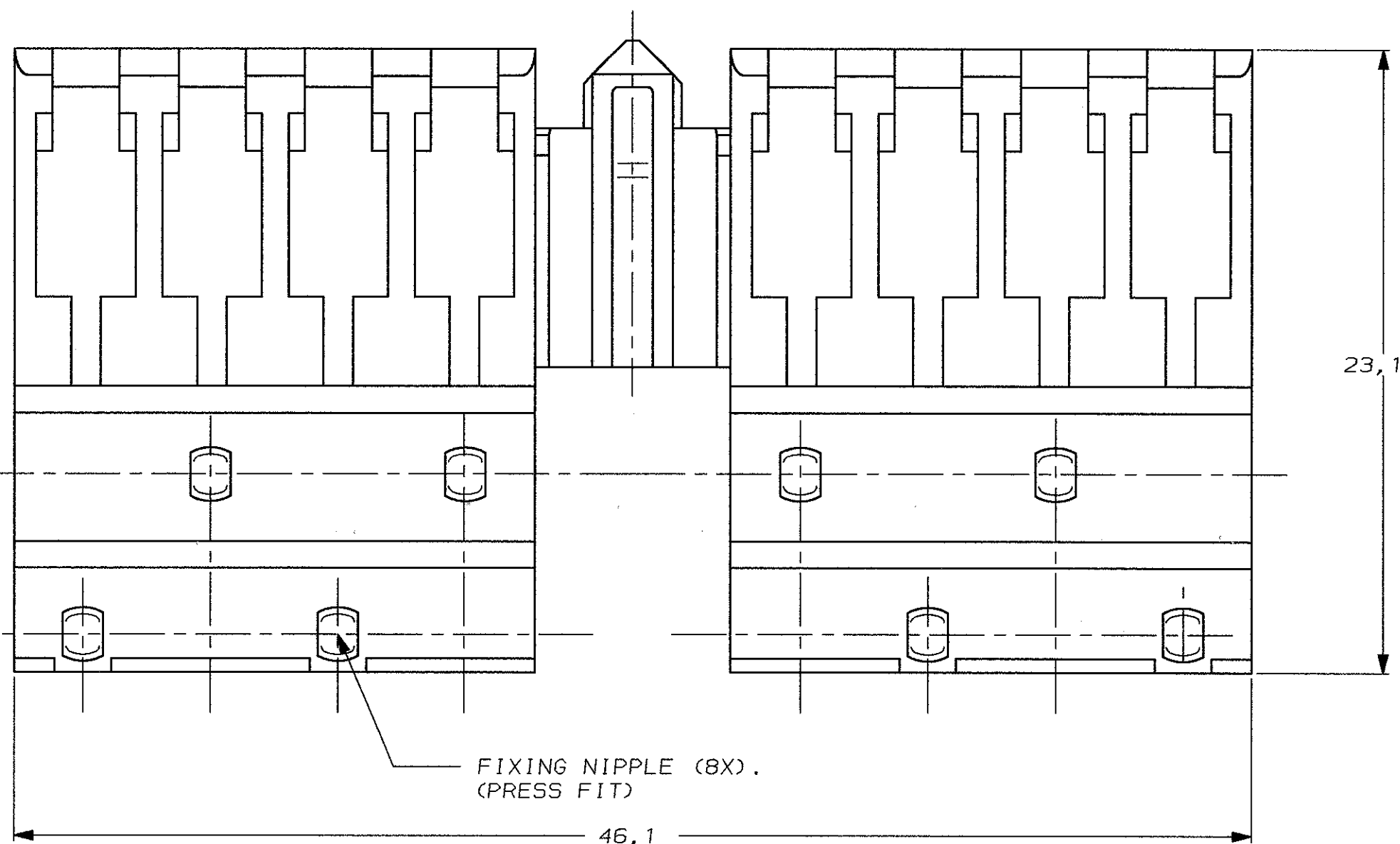
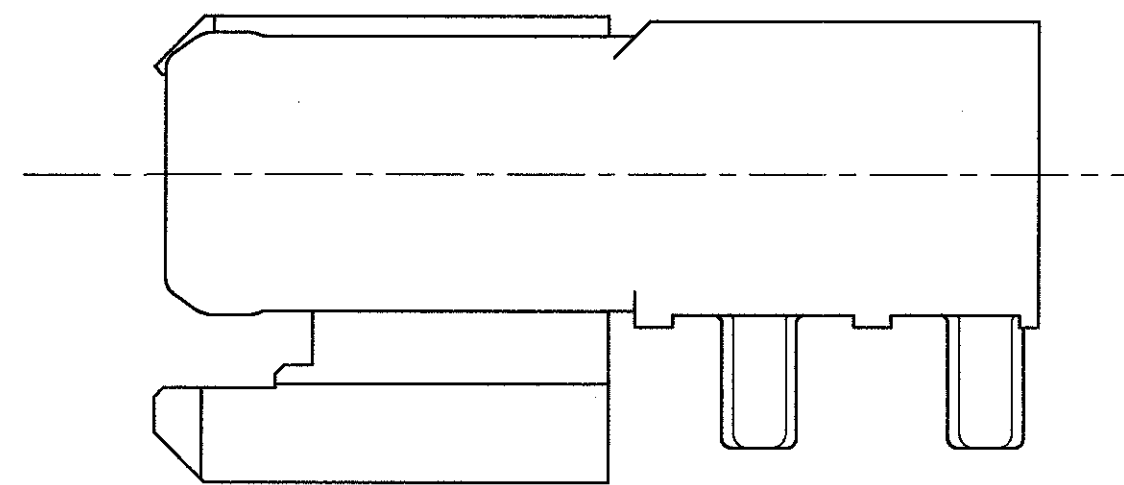
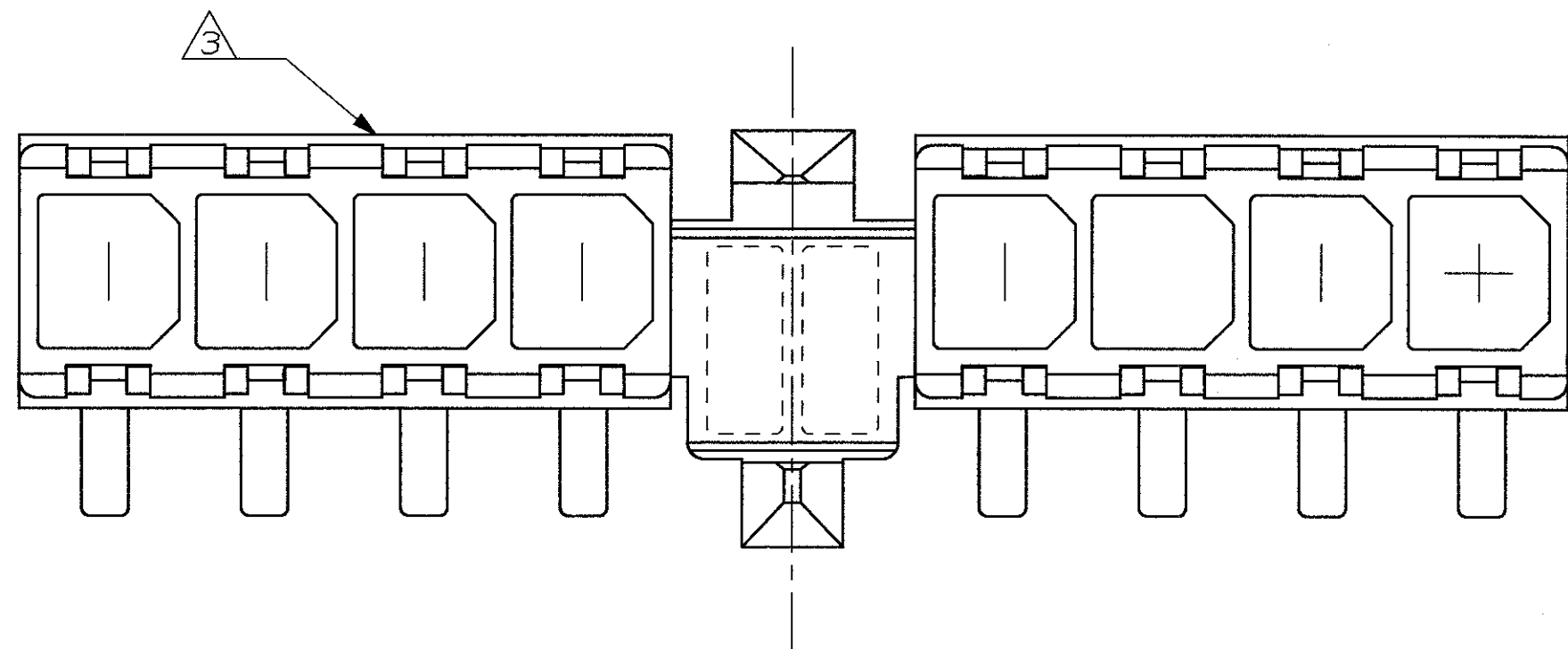
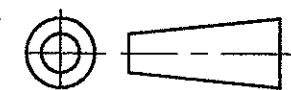
Address: A1208, Overseas Decoration Building, #122 Zhenhua RD., Futian, Shenzhen, China



DO NOT SCALE  
DIMENSIONS IN mm

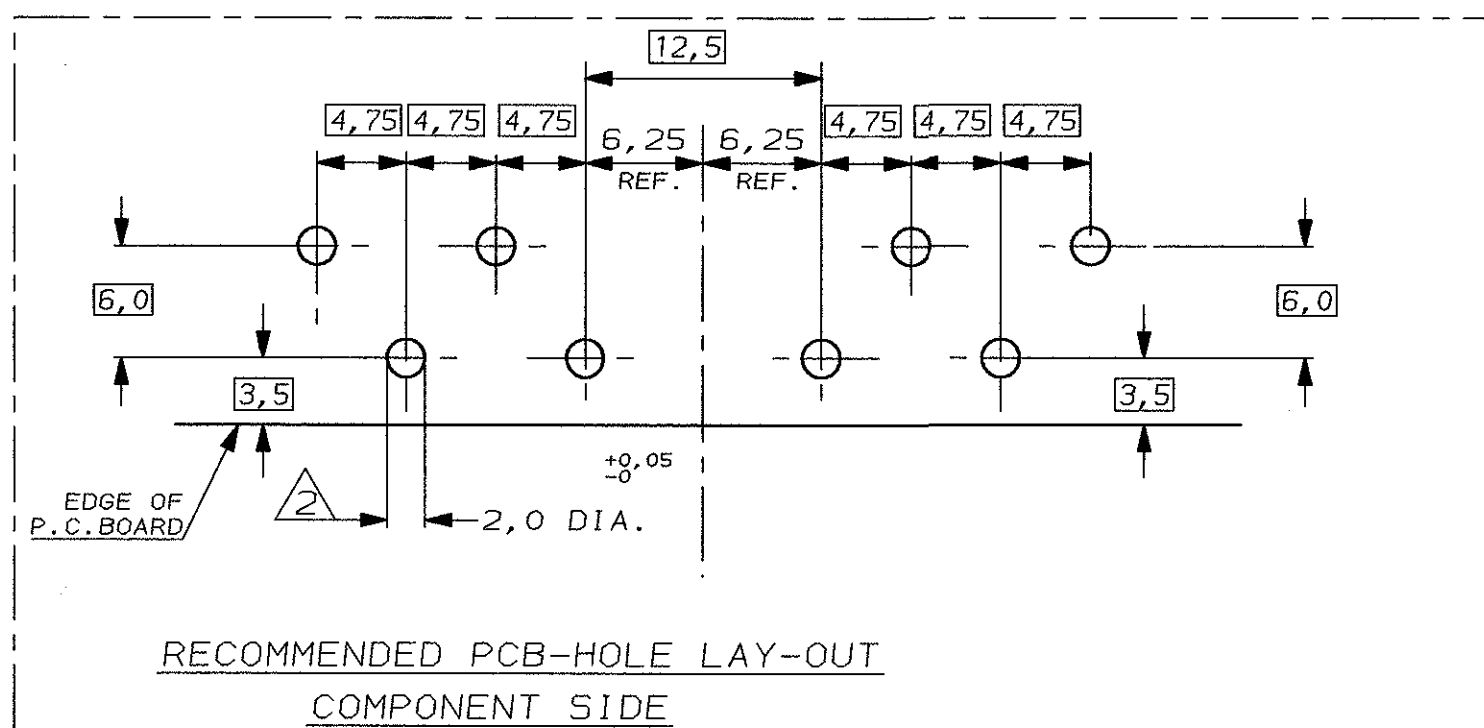
METRIC

THIRD ANGLE  
PROJECTION



NOTES:

- ① MATERIAL HOUSING; GLASSFILLED POLYESTER
- ② NOT PLATED-THROUGH HOLES (8X).
- ③ CONNECTOR PRINTED WITH PARTNUMBER AND DATECODE



		FINISH		MATERIAL	106744-1
				PARTNUMBER	
				CUSTOMER DRAWING FOR REFERENCE ONLY WILL NOT BE UPDATED	
				© COPYRIGHT 19- BY AMP-HOLLAND B.V. ALL INTERNATIONAL RIGHTS RESERVED. AMP PRODUCTS MAY BE COVERED BY U.S. AND FOREIGN AND/OR PATENTS PENDING.	
				THIS DRAWING IS UNPUBLISHED RELEASED FOR PUBLICATION	
				AMP-HOLLAND B.V. 's-Hertogenbosch, The Netherlands.	
C	EH00-1381-99	WV	WV	13 AUG 99	NAME
B	EH00-0018-96	WV	WV	03 JAN 96	Z-PACK 2mm HM HYBRIB FEMALE F.O. TYPE L-MS
LTR.	REVISION RECORD	DR.	CHK.	DATE	
DR.:	W. VERMEULEN	CHK.:	W. VERMEULEN	APP.:	L.V. SOEST
DATE:	03 JAN 96	DATE:	03 JAN 96	DATE:	-
				DWG. No.	C-106744
				REV. LTR.	C
				SHEET	1 OF 1
					A2