



Chipsmall Limited consists of a professional team with an average of over 10 year of expertise in the distribution of electronic components. Based in Hongkong, we have already established firm and mutual-benefit business relationships with customers from,Europe,America and south Asia,supplying obsolete and hard-to-find components to meet their specific needs.

With the principle of “Quality Parts,Customers Priority,Honest Operation,and Considerate Service”,our business mainly focus on the distribution of electronic components. Line cards we deal with include Microchip,ALPS,ROHM,Xilinx,Pulse,ON,Everlight and Freescale. Main products comprise IC,Modules,Potentiometer,IC Socket,Relay,Connector.Our parts cover such applications as commercial,industrial, and automotives areas.

We are looking forward to setting up business relationship with you and hope to provide you with the best service and solution. Let us make a better world for our industry!



Contact us

Tel: +86-755-8981 8866 Fax: +86-755-8427 6832

Email & Skype: info@chipsmall.com Web: www.chipsmall.com

Address: A1208, Overseas Decoration Building, #122 Zhenhua RD., Futian, Shenzhen, China

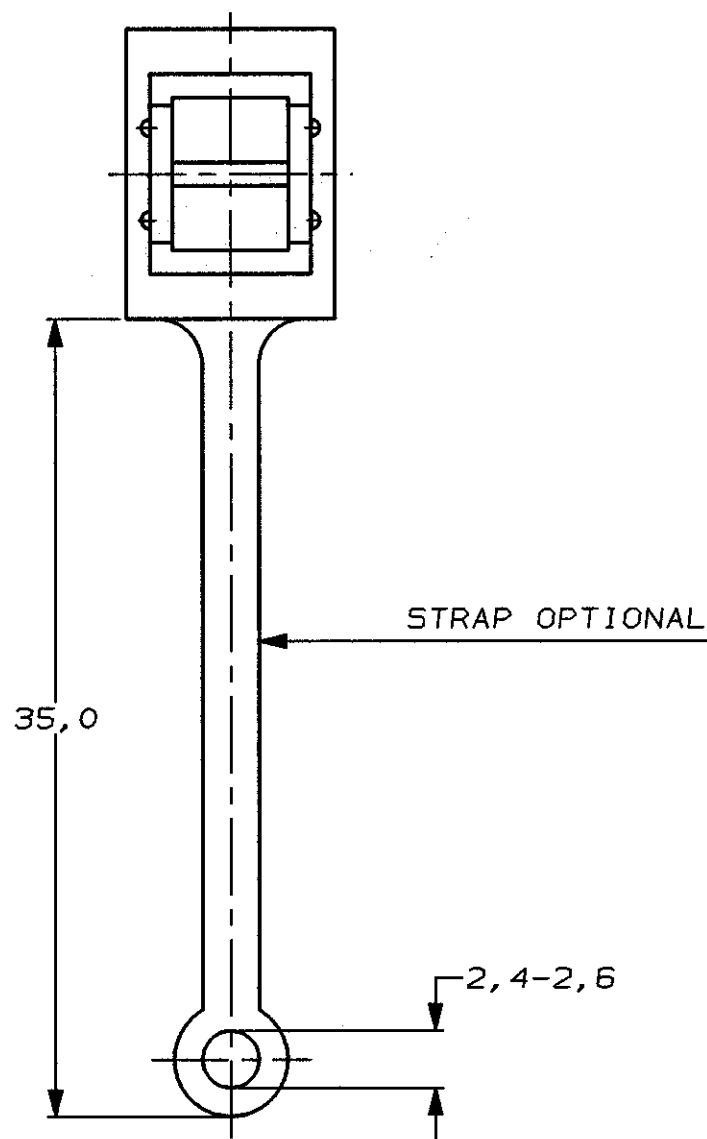
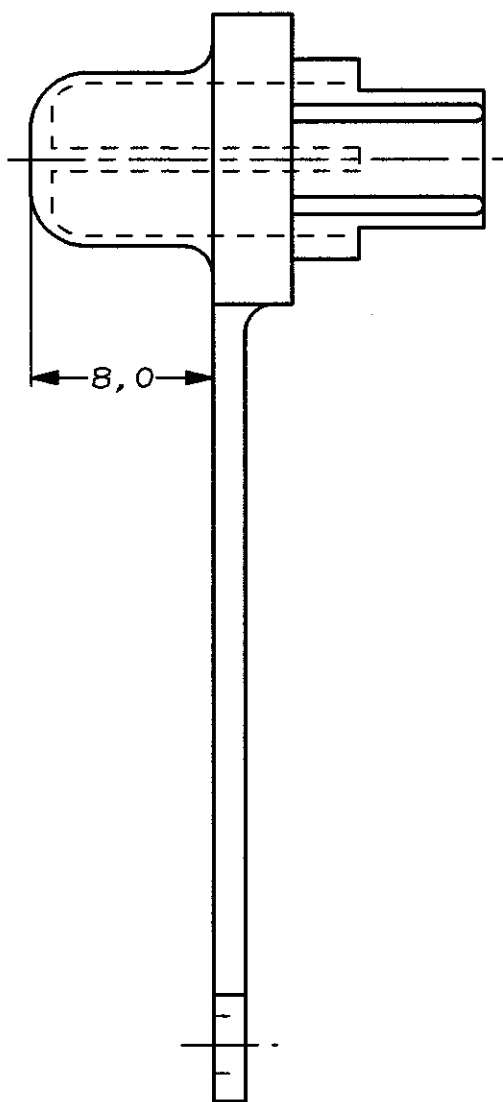
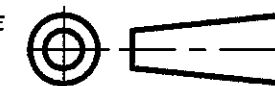


DO NOT SCALE

DIMENSIONS IN mm

METRIC

THIRD ANGLE
PROJECTION



NOTES:

▲ MATERIAL: THERMOPLASTIC ELASTOMER

NO STRAP	BLUE , RAL 5015	▲	0-106880-4
STRAP TYPE	BLUE , RAL 5015	▲	0-106880-3
NO STRAP	GREEN, RAL 6018	▲	0-106880-2
STRAP TYPE	GREEN, RAL 6018	▲	0-106880-1
	COLOR	MATERIAL	PARTNUMBER

F	EH-0731-96	AM	JWR	18 JUN 96	CUSTOMER DRAWING FOR REFERENCE ONLY WILL NOT BE UPDATED © COPYRIGHT 19- BY AMP HOLLAND B.V. ALL INTERNATIONAL RIGHTS RESERVED. AMP PRODUCTS MAY BE COVERED BY U.S. AND FOREIGN AND/OR PATENTS PENDING. THIS DRAWING IS UNPUBLISHED RELEASED FOR PUBLICATION _____, 19____
E	EH-0674-94	HdB	HdB	11 OKT 94	
D	-	WV	JP	07 JUN 94	
C	-	WV	JP	25 MEI 94	
B	-	WV	JP	03 MEI 94	
A	-	WV	JP	28 JAN 94	
O	-	TH	JP	05 JAN 94	AMP AMP HOLLAND B.V. 's-Hertogenbosch, The Netherlands.
LTR.	REVISION RECORD	DR.	CHK.	DATE	NAME DUST COVER, RECEPTACLE AMP SC

DR. : A. WOODDORP	CHK. : J. V. RIETVELD	APP. : D. SMAKMAN	DWG. No.	REV. LTR.	SHEET
DATE: 18 JUN 96	DATE: 27 JUN 96	DATE: 27/06/96	C-106880	F	1 OF 1