



Chipsmall Limited consists of a professional team with an average of over 10 year of expertise in the distribution of electronic components. Based in Hongkong, we have already established firm and mutual-benefit business relationships with customers from,Europe,America and south Asia,supplying obsolete and hard-to-find components to meet their specific needs.

With the principle of “Quality Parts,Customers Priority,Honest Operation,and Considerate Service”,our business mainly focus on the distribution of electronic components. Line cards we deal with include Microchip,ALPS,ROHM,Xilinx,Pulse,ON,Everlight and Freescale. Main products comprise IC,Modules,Potentiometer,IC Socket,Relay,Connector.Our parts cover such applications as commercial,industrial, and automotives areas.

We are looking forward to setting up business relationship with you and hope to provide you with the best service and solution. Let us make a better world for our industry!



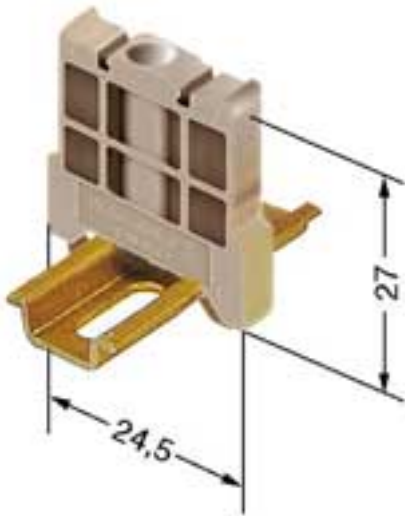
## Contact us

Tel: +86-755-8981 8866 Fax: +86-755-8427 6832

Email & Skype: info@chipsmall.com Web: www.chipsmall.com

Address: A1208, Overseas Decoration Building, #122 Zhenhua RD., Futian, Shenzhen, China



**General ordering data**

Order No.	1071900000
Part designation	EW 15/2
Version	Modular terminal, accessories, Rail support
EAN	4008190462949
Qty.	50 pc(s).

**Dimensions**

Width	8 mm
Height of lowest version	27 mm
Length	27 mm

**Downloads**

DXF	22353_EW_15-2_DXF.dxf
STEP	1071900000_22353_EW_15-2_STP.stp

**Classifications**

ETIM 2.0	EC001041
ETIM 3.0	EC001041
eClass 4.1	27-08-10-03
eClass 5.0	27-08-10-03
eClass 5.1	27-08-10-03

**Similar products**

Order No.	Part designation	Version
0382860000	EW 15	Modular terminal, accessories, Rail support
0348660000	EWK AKA 2.5	Modular terminal, accessories, Rail support
7920340000	ZEW 15	Modular terminal, accessories, Rail support