



Chipsmall Limited consists of a professional team with an average of over 10 year of expertise in the distribution of electronic components. Based in Hongkong, we have already established firm and mutual-benefit business relationships with customers from,Europe,America and south Asia,supplying obsolete and hard-to-find components to meet their specific needs.

With the principle of “Quality Parts,Customers Priority,Honest Operation,and Considerate Service”,our business mainly focus on the distribution of electronic components. Line cards we deal with include Microchip,ALPS,ROHM,Xilinx,Pulse,ON,Everlight and Freescale. Main products comprise IC,Modules,Potentiometer,IC Socket,Relay,Connector.Our parts cover such applications as commercial,industrial, and automotives areas.

We are looking forward to setting up business relationship with you and hope to provide you with the best service and solution. Let us make a better world for our industry!



Contact us

Tel: +86-755-8981 8866 Fax: +86-755-8427 6832

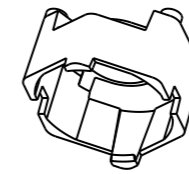
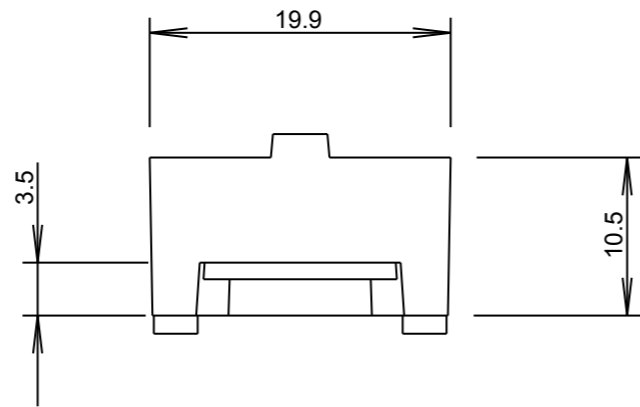
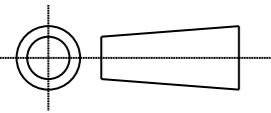
Email & Skype: info@chipsmall.com Web: www.chipsmall.com

Address: A1208, Overseas Decoration Building, #122 Zhenhua RD., Futian, Shenzhen, China



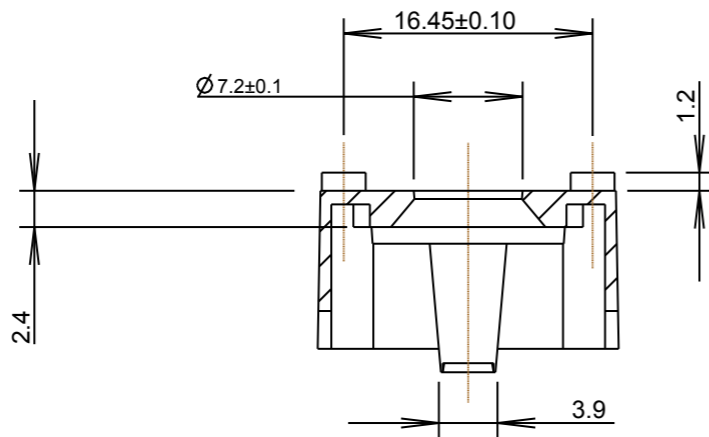
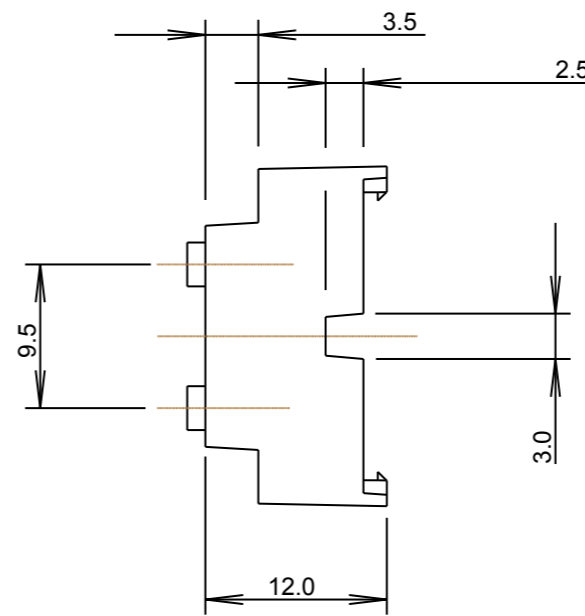
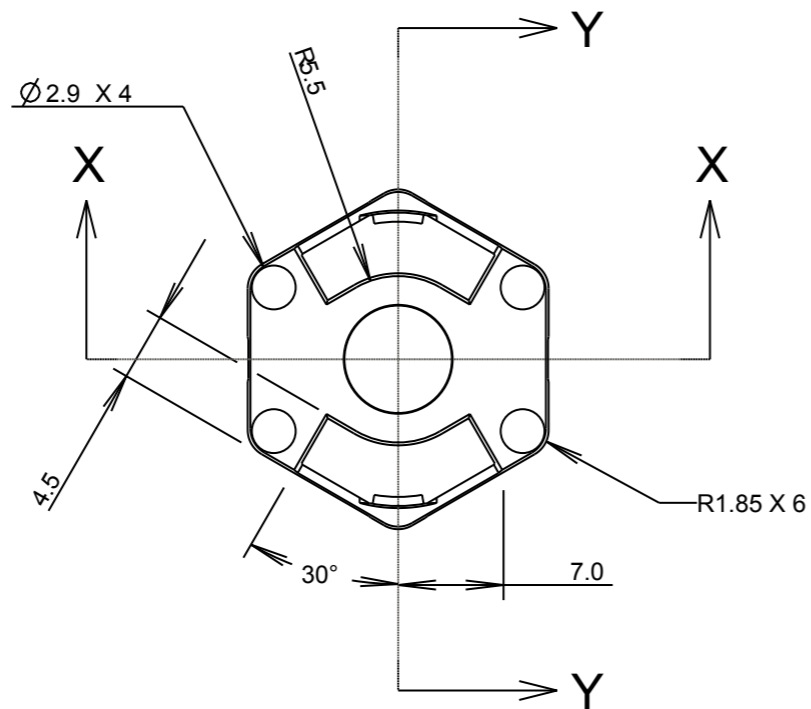
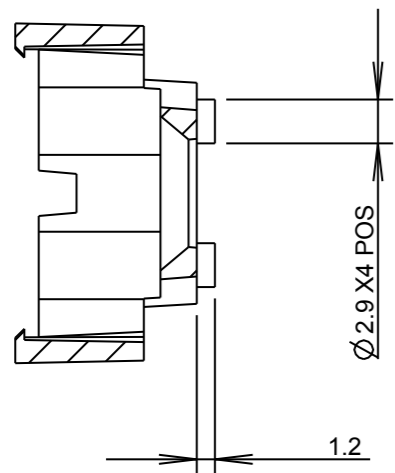
CUSTOMER DRAWING

©2006 CARCLO
ALL DIMENSIONS IN mm



3D VIEW
SCALE 1:1

SECTION Y-Y



SECTION X-X

PART No.	MATERIAL
10750	BLACK POLYCARBONATE
10751	CLEAR POLYCARBONATE
10752	WHITE POLYCARBONATE

ISS.	DATE	E.C.N.	DESCRIPTION
1	27-Mar-09		FIRST ISSUE
2	24-Nov-09	04/11/1256	DUPLICATE PART NO'S (WERE 10690, 10691 AND 10692)



CARCLO TECHNICAL PLASTICS (SLOUGH) LTD.
111 BUCKINGHAM AVE, SLOUGH
SL1 4PF, ENGLAND
TEL: +44 1753 575011 FAX: +44 1753 811359
email: design@coil.co.uk

GENERAL TOLERANCES (UNLESS STATED)

LINEAR	ANGULAR
X +/- 0.25	X +/- 1°
X.X +/- 0.1	X.X +/- 0.5°
X.XX +/- 0.05	X.XX +/- 0.1°

CUSTOMER

TITLE

HOLDER FOR 3.5mm SQUARE LED WITH
0.8MM OFFSET FOCUS 20MM DIA LED OPTIC

DRAWN **MKI** DATE **27-Mar-09**

CHK'D DATE

APP'D DATE

SCALE **2:1** COIL PART No. **SEE TABLE**

SIZE **A3** COIL DRG. No. **60583** SHEET **1 OF 1**