



Chipsmall Limited consists of a professional team with an average of over 10 year of expertise in the distribution of electronic components. Based in Hongkong, we have already established firm and mutual-benefit business relationships with customers from,Europe,America and south Asia,supplying obsolete and hard-to-find components to meet their specific needs.

With the principle of “Quality Parts,Customers Priority,Honest Operation,and Considerate Service”,our business mainly focus on the distribution of electronic components. Line cards we deal with include Microchip,ALPS,ROHM,Xilinx,Pulse,ON,Everlight and Freescale. Main products comprise IC,Modules,Potentiometer,IC Socket,Relay,Connector.Our parts cover such applications as commercial,industrial, and automotives areas.

We are looking forward to setting up business relationship with you and hope to provide you with the best service and solution. Let us make a better world for our industry!



## Contact us

Tel: +86-755-8981 8866 Fax: +86-755-8427 6832

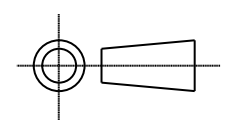
Email & Skype: info@chipsmall.com Web: www.chipsmall.com

Address: A1208, Overseas Decoration Building, #122 Zhenhua RD., Futian, Shenzhen, China



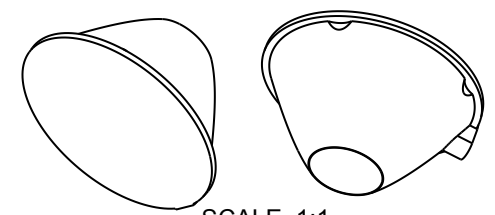
ISS.	DATE	E.C.N.	DESCRIPTION
1	19-Jun-09		FIRST ISSUE

© 2008 CARCLO  
ALL DIMENSIONS IN mm

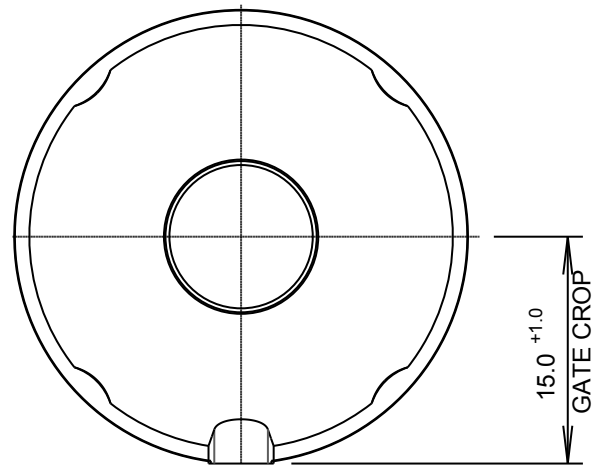


CARCLO TECHNICAL PLASTICS (SLOUGH) LTD.  
111 BUCKINGHAM AVE, SLOUGH  
SL1 4PF, ENGLAND  
TEL: +44 1753 575011 FAX: +44 1753 811359  
e-mail: design@ctpcoil.co.uk}

**CUSTOMER DRAWING**

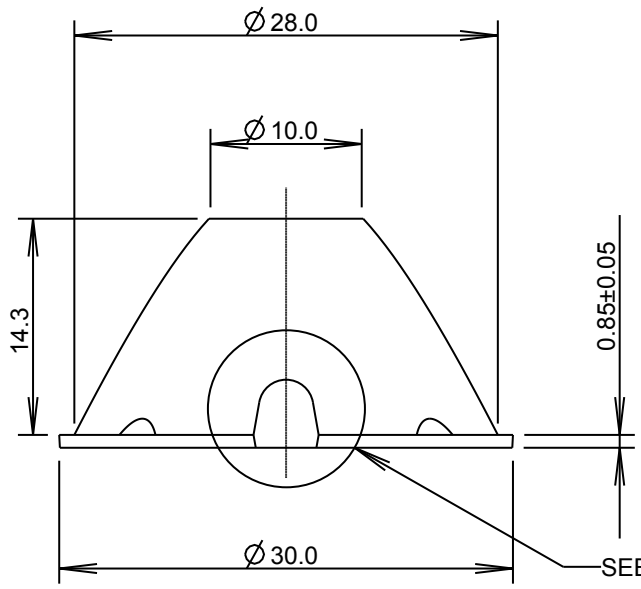
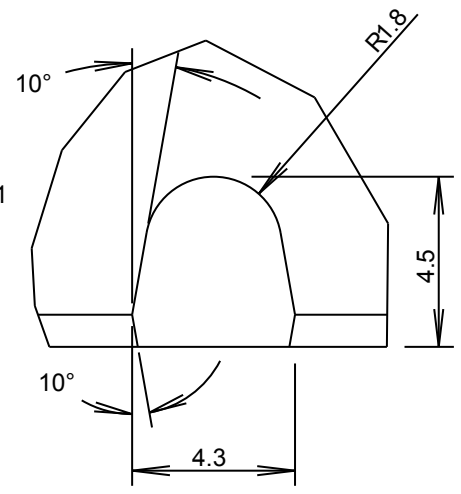


SCALE 1:1  
GENERAL VIEW



15.0 ± 1.0  
GATE CROP

DETAIL A  
SCALE 5:1



0.85 ± 0.05

SEE DETAIL A

MATERIAL: POLYCARBONATE

PART NO.	DESCRIPTION
10755	PLAIN FRONT
10756	NARROW FROSTED
10757	MEDIUM FROSTED

GENERAL TOLERANCES (UNLESS STATED)

LINEAR	ANGULAR
X +/- 0.25	X +/- 1°
X.X +/- 0.1	X.X +/- 0.5°
X.XX +/- 0.05	X.XX +/- 0.1°

CUSTOMER

CARCLO

TITLE

30 mm OPTIC 0.6mm OFFSET  
PLAIN & FROSTED

DRAWN

MKI

DATE

19-Jun-09

CHK'D

DATE

APP'D

DATE

SCALE

2:1

COIL PART No.

SEE TABLE

SIZE

A4

COIL DRG. No.

60578

SHEET

1 OF 1