



Chipsmall Limited consists of a professional team with an average of over 10 year of expertise in the distribution of electronic components. Based in Hongkong, we have already established firm and mutual-benefit business relationships with customers from,Europe,America and south Asia,supplying obsolete and hard-to-find components to meet their specific needs.

With the principle of “Quality Parts,Customers Priority,Honest Operation,and Considerate Service”,our business mainly focus on the distribution of electronic components. Line cards we deal with include Microchip,ALPS,ROHM,Xilinx,Pulse,ON,Everlight and Freescale. Main products comprise IC,Modules,Potentiometer,IC Socket,Relay,Connector.Our parts cover such applications as commercial,industrial, and automotives areas.

We are looking forward to setting up business relationship with you and hope to provide you with the best service and solution. Let us make a better world for our industry!



Contact us

Tel: +86-755-8981 8866 Fax: +86-755-8427 6832

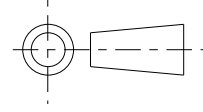
Email & Skype: info@chipsmall.com Web: www.chipsmall.com

Address: A1208, Overseas Decoration Building, #122 Zhenhua RD., Futian, Shenzhen, China



ISS.	DATE	E.C.N.	DESCRIPTION
1	29-Jun-10		FIRST ISSUE
1A	18-Apr-11	04/11/1296	UPDATE DIMENSIONS & NOTES TO STANDARD FORMAT
1B	12-Mar-12	03/12/1331	REDUCE GATE LENGTH FROM 16.0 MM TO 15.0MM

© 2011 CTP-COIL
ALL DIMENSIONS IN mm



CUSTOMER DRAWING



CARCLO TECHNICAL PLASTICS (SLOUGH) LTD.
103 BUCKINGHAM AVE, SLOUGH
SL1 4PF, ENGLAND
TEL: +44 1753 575011 FAX: +44 1753 811359
e-mail: design@carclo-optics.com

GENERAL TOLERANCES (UNLESS STATED)

LINEAR	ANGULAR
X +/- 0.25	X +/- 1°
X.X +/- 0.1	X.X +/- 0.5°
X.XX +/- 0.05	X.XX +/- 0.1°

CUSTOMER

CARCLO

TITLE

30MM LED OPTIC
ELLIPTICAL BEAM

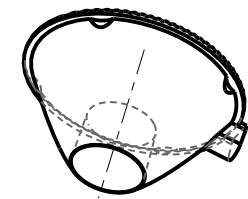
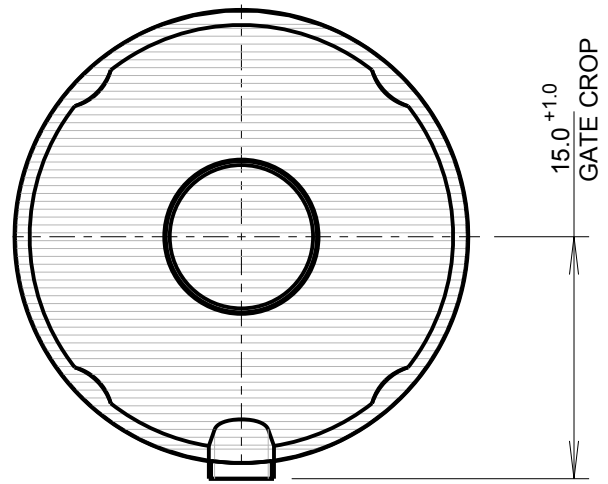
DRAWN BB DATE 31-Jul-09

CHK'D AB DATE 20-Mar-12

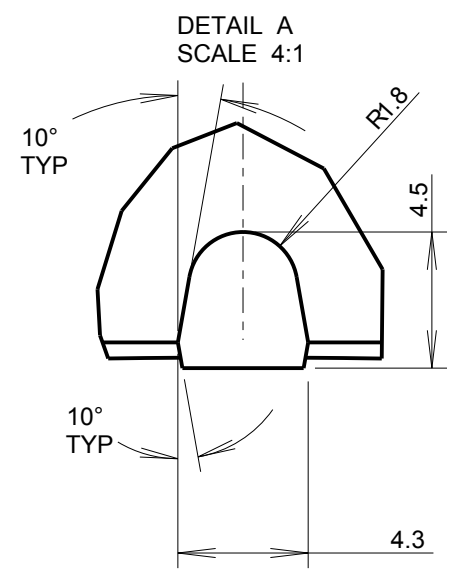
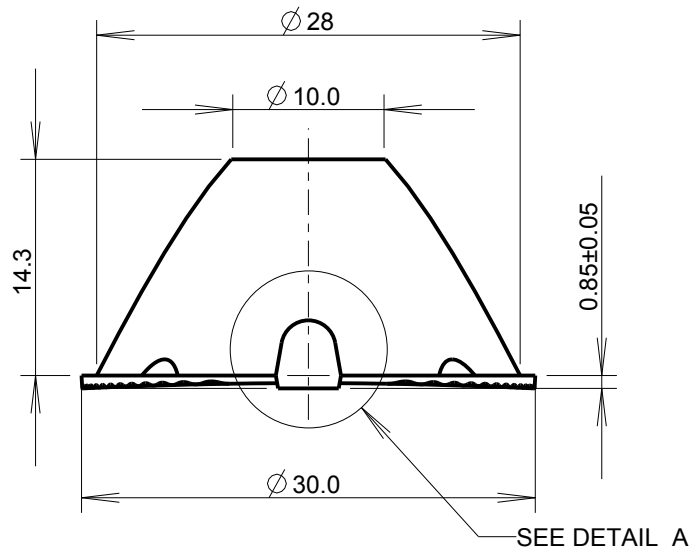
APP'D PW DATE 20-Mar-12

SCALE 2:1 COIL PART No. 10759

SIZE A4 COIL DRG. No. 60580 SHEET 2 OF 2



SCALE 1:1
GENERAL VIEW



MATERIAL: POLYCARBONATE