



Chipsmall Limited consists of a professional team with an average of over 10 year of expertise in the distribution of electronic components. Based in Hongkong, we have already established firm and mutual-benefit business relationships with customers from,Europe,America and south Asia,supplying obsolete and hard-to-find components to meet their specific needs.

With the principle of “Quality Parts,Customers Priority,Honest Operation,and Considerate Service”,our business mainly focus on the distribution of electronic components. Line cards we deal with include Microchip,ALPS,ROHM,Xilinx,Pulse,ON,Everlight and Freescale. Main products comprise IC,Modules,Potentiometer,IC Socket,Relay,Connector.Our parts cover such applications as commercial,industrial, and automotives areas.

We are looking forward to setting up business relationship with you and hope to provide you with the best service and solution. Let us make a better world for our industry!



Contact us

Tel: +86-755-8981 8866 Fax: +86-755-8427 6832

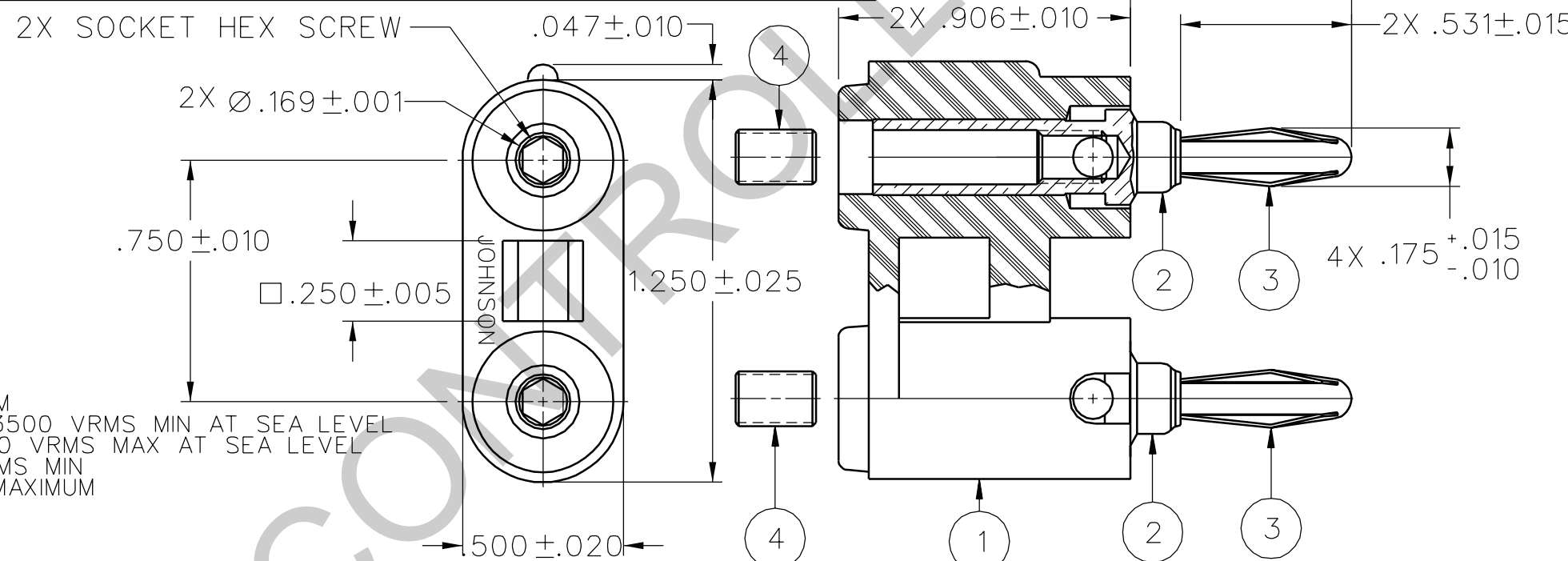
Email & Skype: info@chipsmall.com Web: www.chipsmall.com

Address: A1208, Overseas Decoration Building, #122 Zhenhua RD., Futian, Shenzhen, China




PART NUMBER	ITEM ①		ITEM ② 2X BODY	ITEM ③ 2X CONTACT SPRING	ITEM ④ 2X SET SCREW
	HANDLE	COLOR			
108-0251-001	NYLON	WHITE	BRASS NICKEL PL .0001 MIN	NICKEL SILVER NICKEL PL .0001 MIN	STEEL CADMIUM PL .0001 MIN
108-0252-001		RED			
108-0253-001		BLACK			
108-0254-001		GREEN			
108-0255-001					
108-0256-001		ORANGE			
108-0257-001		YELLOW			
108-0258-001		BROWN			
108-0259-001					
108-0260-001		BLUE			
108-0261-001					
108-0262-001		VIOLET			
108-0263-001		GRAY			
108-0264-001					
108-0265-001					
108-0266-001					
108-0267-001					
108-0268-001					
108-0269-001					
108-0270-001					

DRAWING NO. B-108-0251/0270-001	
0	REVISIONS
ENGINEERING RELEASE ***** * REVISION NUMBER FOLLOWED BY AN ALPHA * * CHARACTER INDICATES DRAWING CLARIFI- * CATION OR PART NUMBER ADDITION ONLY. * *****	
6a	11-18-94
RH	SW
TA	RJ
KB	ECN 42926



NOTES:
1. SPECIFICATIONS:
ELECTRICAL:
CURRENT RATING: 15 AMPS DC MINIMUM
DIELECTRIC WITHSTANDING VOLTAGE: 3500 VRMS MIN AT SEA LEVEL
RECOMMENDED WORKING VOLTAGE: 1750 VRMS MAX AT SEA LEVEL
INSULATION RESISTANCE: 5000 MEGOHMS MIN
CONTACT RESISTANCE: 10 MILLIOHMS MAXIMUM
MECHANICAL:
INSERTION/WITHDRAWL FORCE: 1.0 - 12.0 POUNDS
CONTACT SPRING RETENTION FORCE: 25 POUNDS MINIMUM
WIRE ACCEPTABILITY: 16 AWG OR SMALLER
WIRE ATTACHMENT: CLAMP USING SET SCREW
MATING BANANA JACK DIAMETER: .166 NOMINAL
DURABILITY: 1000 CYCLES MINIMUM
ENVIRONMENTAL:
(MEETS OR EXCEEDS THE APPLICABLE PARAGRAPH OF MIL-C-28901)
OPERATING TEMPERATURE: -55 DEG C TO 85 DEG C.
TEMPERATURE RISE AT RATED CURRENT: 10 DEG C MAXIMUM
CORROSION: MIL-STD-1344, METHOD 1001, CONDITION B
SHOCK: MIL-STD-1344, METHOD 2004, CONDITION G
VIBRATION: MIL-STD-1344, METHOD 2005, CONDITION I
HUMIDITY: MIL-STD-1344, METHOD 1002, CONDITION B

CUSTOMER DRAWING
THIS DRAWING TO BE INTERPRETED
PER ASME Y 14.5M - 1994
"μSTATION"
COMPANY CONFIDENTIAL

TOLERANCE UNLESS OTHERWISE SPECIFIED	DRAWN BY SWC	DATE 4-18-94	 Cinch CONNECTIVITY SOLUTIONS a bel group	Cinch Connectivity Solutions P.O. Box 1732 Waseca, MN 56093 1-800-247-8256	
DECIMALS mm	CHECKED BY TAK	DATE 11-21-94		TITLE ASSEMBLY, BANANA PLUG DUAL STACKING, ROUND BODY INSULATED, SOLDERLESS TYPE	
.XX _____	APPROVED BY RJB	DATE 12-22-94	SHEET 2 OF 2	DRAWING NO. B-108-0251/0270-001	
.XXX _____	RELEASE DATE 12-22-94	SCALE 2:1			
MATL _____	U/M INCH				
FINISH _____					