



Chipsmall Limited consists of a professional team with an average of over 10 year of expertise in the distribution of electronic components. Based in Hongkong, we have already established firm and mutual-benefit business relationships with customers from,Europe,America and south Asia,supplying obsolete and hard-to-find components to meet their specific needs.

With the principle of “Quality Parts,Customers Priority,Honest Operation,and Considerate Service”,our business mainly focus on the distribution of electronic components. Line cards we deal with include Microchip,ALPS,ROHM,Xilinx,Pulse,ON,Everlight and Freescale. Main products comprise IC,Modules,Potentiometer,IC Socket,Relay,Connector.Our parts cover such applications as commercial,industrial, and automotives areas.

We are looking forward to setting up business relationship with you and hope to provide you with the best service and solution. Let us make a better world for our industry!



Contact us

Tel: +86-755-8981 8866 Fax: +86-755-8427 6832

Email & Skype: info@chipsmall.com Web: www.chipsmall.com

Address: A1208, Overseas Decoration Building, #122 Zhenhua RD., Futian, Shenzhen, China



| | | | | |
|--------------|------------------------------|--------------------------------------|----------------------------|------------------------------|
| PART NUMBER | ITEM ① BODY (2 PIECE) | ITEM ② SPRING | ITEM ③ SOLDER LUG | ITEM ④ NUT |
| 108-0750-002 | BRASS NICKEL PL .0001 MIN | NICKEL SILVER NICKEL PL .0001 MIN | COPPER TIN PL .0004 MIN | BRASS NICKEL PL .0001 MIN |

DRAWING NO.
B-108-0750-002

0 REVISIONS

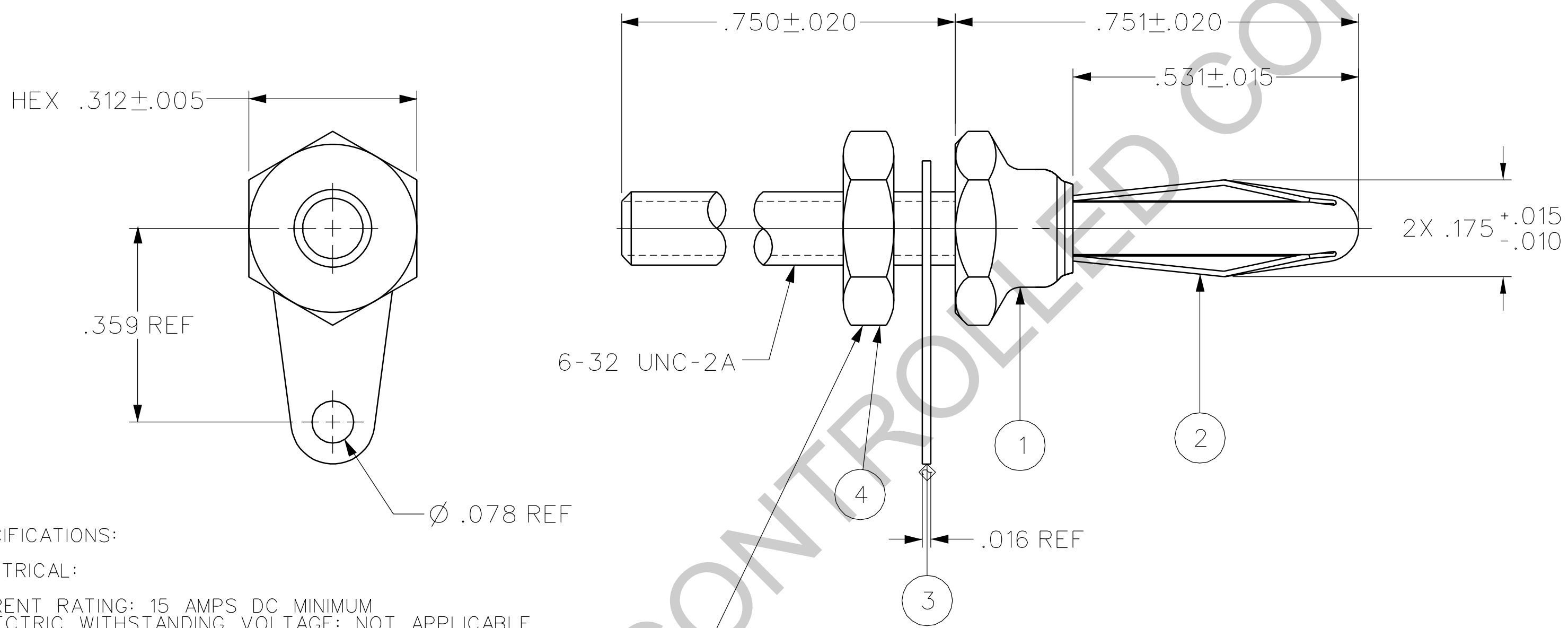
ENGINEERING RELEASE

* REVISION NUMBER FOLLOWED BY AN ALPHA *
* CHARACTER INDICATES DRAWING CLARIFI-
* CATION OR PART NUMBER ADDITION ONLY. *

64a 1-19-95 R H S W T R
H C A K J B ECN 42927

UPDATED TO REFLECT ONE PEICE BODY
.751 WAS .750

65 2/8/11 R H S W T R
H C A K J B ECO 51908



NOTES:
1. SPECIFICATIONS:

ELECTRICAL:
CURRENT RATING: 15 AMPS DC MINIMUM
DIELECTRIC WITHSTANDING VOLTAGE: NOT APPLICABLE
RECOMMENDED WORKING VOLTAGE: NOT APPLICABLE
INSULATION RESISTANCE: NOT APPLICABLE
CONTACT RESISTANCE: 10 MILLIOHMS MAXIMUM

MECHANICAL:
INSERTION/WITHDRAWAL FORCE: 1.0 - 12.0 POUNDS
CONTACT SPRING RETENTION FORCE: 25 POUNDS MINIMUM
WIRE ACCEPTABILITY: NOT APPLICABLE
WIRE ATTACHMENT: NOT APPLICABLE
MATING BANANA JACK DIAMETER: .166 NOMINAL
DURABILITY: 1000 CYCLES MINIMUM

ENVIRONMENTAL:
(MEETS OR EXCEEDS THE APPLICABLE PARAGRAPH OF MIL-C-28901)
OPERATING TEMPERATURE: -55 DEG C TO 85 DEG C.
TEMPERATURE RISE AT RATED CURRENT: 10 DEG C MAXIMUM
CORROSION: MIL-STD-1344, METHOD 1001, CONDITION B
SHOCK: MIL-STD-1344, METHOD 2004, CONDITION G
VIBRATION: MIL-STD-1344, METHOD 2005, CONDITION I
HUMIDITY: MIL-STD-1344, METHOD 1002, CONDITION B

CUSTOMER DRAWING

THIS DRAWING TO BE INTERPRETED
PER ASME Y 14.5M - 1994

"μ STATION"

COMPANY CONFIDENTIAL

| | | | |
|--------------------------------------|-------|--------------|---------|
| TOLERANCE UNLESS OTHERWISE SPECIFIED | | DRAWN BY | DATE |
| DECIMALS | mm | SWC | 7-12-94 |
| .XX | _____ | CHECKED BY | DATE |
| .XXX | _____ | SWC | 1-25-95 |
| MATL | _____ | APPROVED BY | DATE |
| FINISH | _____ | TAK/RJB | 3-2-95 |
| | | RELEASE DATE | |
| U/M | INCH | SCALE | 4:1 |

cinch
CONNECTIVITY SOLUTIONS
a bel group

Cinch Connectivity Solutions
P.O. Box 1732
Waseca, MN 56093
1-800-247-8256

TITLE
ASSEMBLY, BANANA PLUG,
UNINSULATED, HEX BODY,
THREADED STUD, SOLDER LUG

SHEET
2 OF 2

DRAWING NO.
B-108-0750-002