



Chipsmall Limited consists of a professional team with an average of over 10 year of expertise in the distribution of electronic components. Based in Hongkong, we have already established firm and mutual-benefit business relationships with customers from,Europe,America and south Asia,supplying obsolete and hard-to-find components to meet their specific needs.

With the principle of “Quality Parts,Customers Priority,Honest Operation,and Considerate Service”,our business mainly focus on the distribution of electronic components. Line cards we deal with include Microchip,ALPS,ROHM,Xilinx,Pulse,ON,Everlight and Freescale. Main products comprise IC,Modules,Potentiometer,IC Socket,Relay,Connector.Our parts cover such applications as commercial,industrial, and automotives areas.

We are looking forward to setting up business relationship with you and hope to provide you with the best service and solution. Let us make a better world for our industry!



Contact us

Tel: +86-755-8981 8866 Fax: +86-755-8427 6832

Email & Skype: info@chipsmall.com Web: www.chipsmall.com

Address: A1208, Overseas Decoration Building, #122 Zhenhua RD., Futian, Shenzhen, China



PART NUMBER	ITEM ① BODY	ITEM ② CONTACT SPRING
108-0754-001	BRASS SILVER PL .0001 MIN OVER COPPER PL .00005 MIN	BERYLLIUM COPPER SILVER PL .0001 MIN OVER COPPER PL .00005 MIN

DRAWING NO.
B-108-0754-001

0	REVISIONS
---	-----------

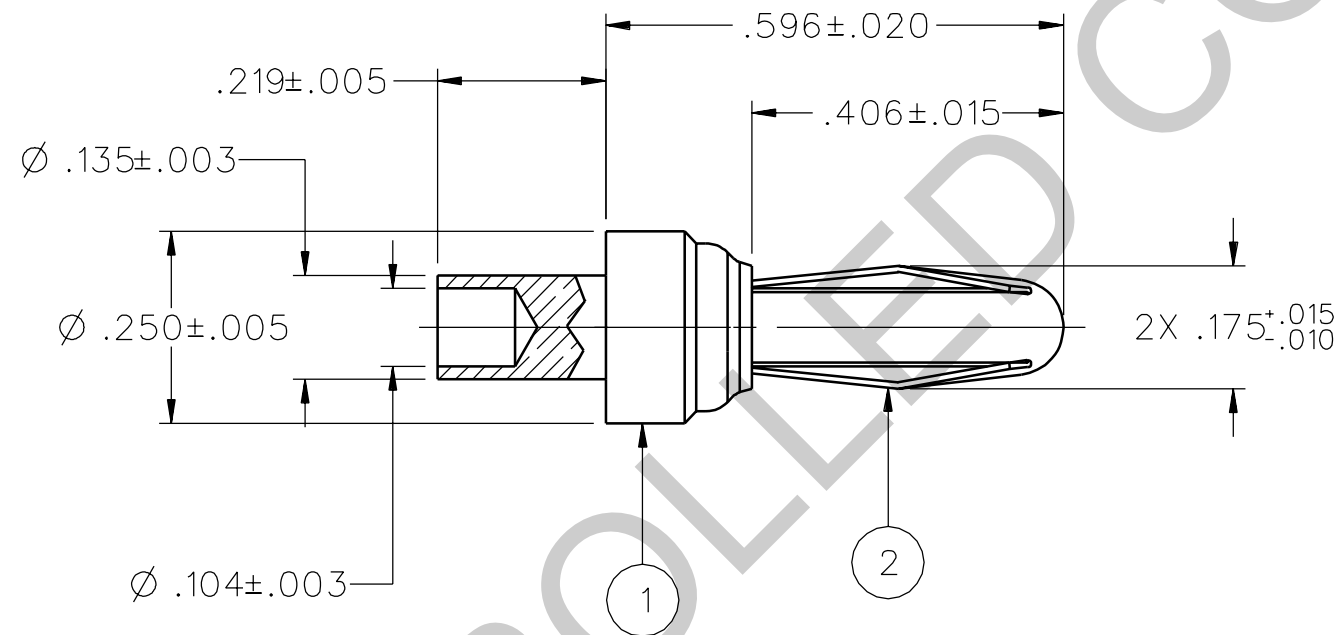
REVISED AND REDRAWN . DRAWING WAS "C" SIZE DATED 6-28-88. CHANGED: .219±.005 WAS .218±.005, DIA.135±.003 WAS DIA.135±.005, DIA .104±.003 WAS .102/.107, 2X.175+.015 -.010 WAS .155+.015-.010, UPDATED NOTES, P/N 108-0754-001 WAS 108-0754-001/025, SPLIT INTO -001,-015 AND -016 OBSOLETE OTHERS

28a	7-12-94	RH	SWC	TAK	RJB	PAH	8-4-94	ECN 42600
-----	---------	----	-----	-----	-----	-----	--------	-----------

CHANGED: 15 POUNDS RETENTION FORCE WAS 25 POUNDS

* REVISION NUMBER FOLLOWED BY AN ALPHA *
* CHARACTER INDICATES DRAWING CLARIFI- *
* CATION OR PART NUMBER ADDITION ONLY. *

28b	5-3-95	RH	DMC	RJB				ECN 43420
-----	--------	----	-----	-----	--	--	--	-----------



NOTES:
1. SPECIFICATIONS:

ELECTRICAL:
CURRENT RATING: 15 AMPS DC MINIMUM
DIELECTRIC WITHSTANDING VOLTAGE: NOT APPLICABLE
RECOMMENDED WORKING VOLTAGE: NOT APPLICABLE
INSULATION RESISTANCE: NOT APPLICABLE
CONTACT RESISTANCE: 10 MILLIOHMS MAXIMUM

MECHANICAL:
INSERTION/WITHDRAWAL FORCE: 1.0 - 15.0 POUNDS
CONTACT SPRING RETENTION FORCE: 15 POUNDS MINIMUM
WIRE ACCEPTABILITY: NOT APPLICABLE
WIRE ATTACHMENT: NOT APPLICABLE
MATING BANANA JACK DIAMETER: .166 NOMINAL
DURABILITY: 1000 CYCLES MINIMUM

ENVIRONMENTAL:
(MEETS OR EXCEEDS THE APPLICABLE PARAGRAPH OF MIL-C-28901)
OPERATING TEMPERATURE: -55 DEG C TO 85 DEG C.
TEMPERATURE RISE AT RATED CURRENT: 10 DEG C MAXIMUM
CORROSION: MIL-STD-1344, METHOD 1001, CONDITION B
SHOCK: MIL-STD-1344, METHOD 2004, CONDITION G
VIBRATION: MIL-STD-1344, METHOD 2005, CONDITION I
HUMIDITY: MIL-STD-1344, METHOD 1002, CONDITION B

CUSTOMER DRAWING

THIS DRAWING TO BE INTERPRETED PER ASME Y 14.5M - 1994

"μ STATION"

COMPANY CONFIDENTIAL

TOLERANCE UNLESS OTHERWISE SPECIFIED		DRAWN BY	DATE
DECIMALS	mm	SWC	4-5-94
.XX	_____	CHECKED BY	DATE
.XXX	_____		
MATL	_____	APPROVED BY	DATE
		TAK/RJB	7-18-94
FINISH	_____	RELEASE DATE	8-4-94
		U/M	INCH
		SCALE	4:1

 **cinch**
CONNECTIVITY SOLUTIONS
a bel group

Cinch Connectivity Solutions
P.O. Box 1732
Waseca, MN 56093
1-800-247-8256

TITLE
ASSEMBLY, BANANA PLUG,
UNINSULATED, ROUND BODY,
RIVET MOUNT

SHEET	DRAWING NO.
2 OF 2	B-108-0754-001