



Chipsmall Limited consists of a professional team with an average of over 10 year of expertise in the distribution of electronic components. Based in Hongkong, we have already established firm and mutual-benefit business relationships with customers from,Europe,America and south Asia,supplying obsolete and hard-to-find components to meet their specific needs.

With the principle of "Quality Parts,Customers Priority,Honest Operation,and Considerate Service",our business mainly focus on the distribution of electronic components. Line cards we deal with include Microchip,ALPS,ROHM,Xilinx,Pulse,ON,Everlight and Freescale. Main products comprise IC,Modules,Potentiometer,IC Socket,Relay,Connector.Our parts cover such applications as commercial,industrial, and automotives areas.

We are looking forward to setting up business relationship with you and hope to provide you with the best service and solution. Let us make a better world for our industry!



Contact us

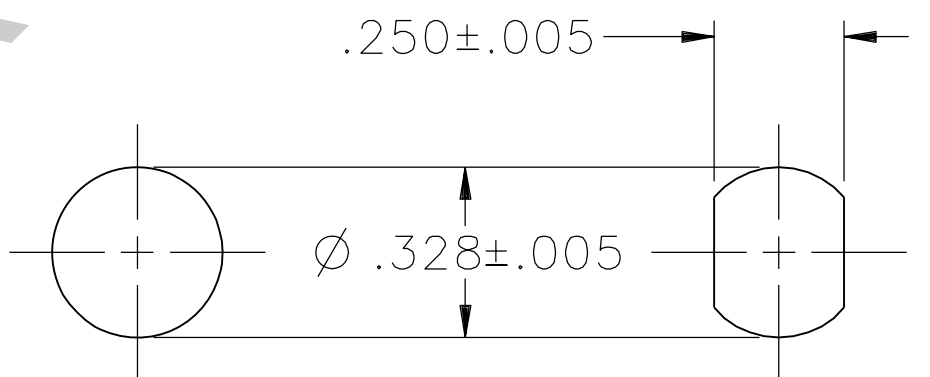
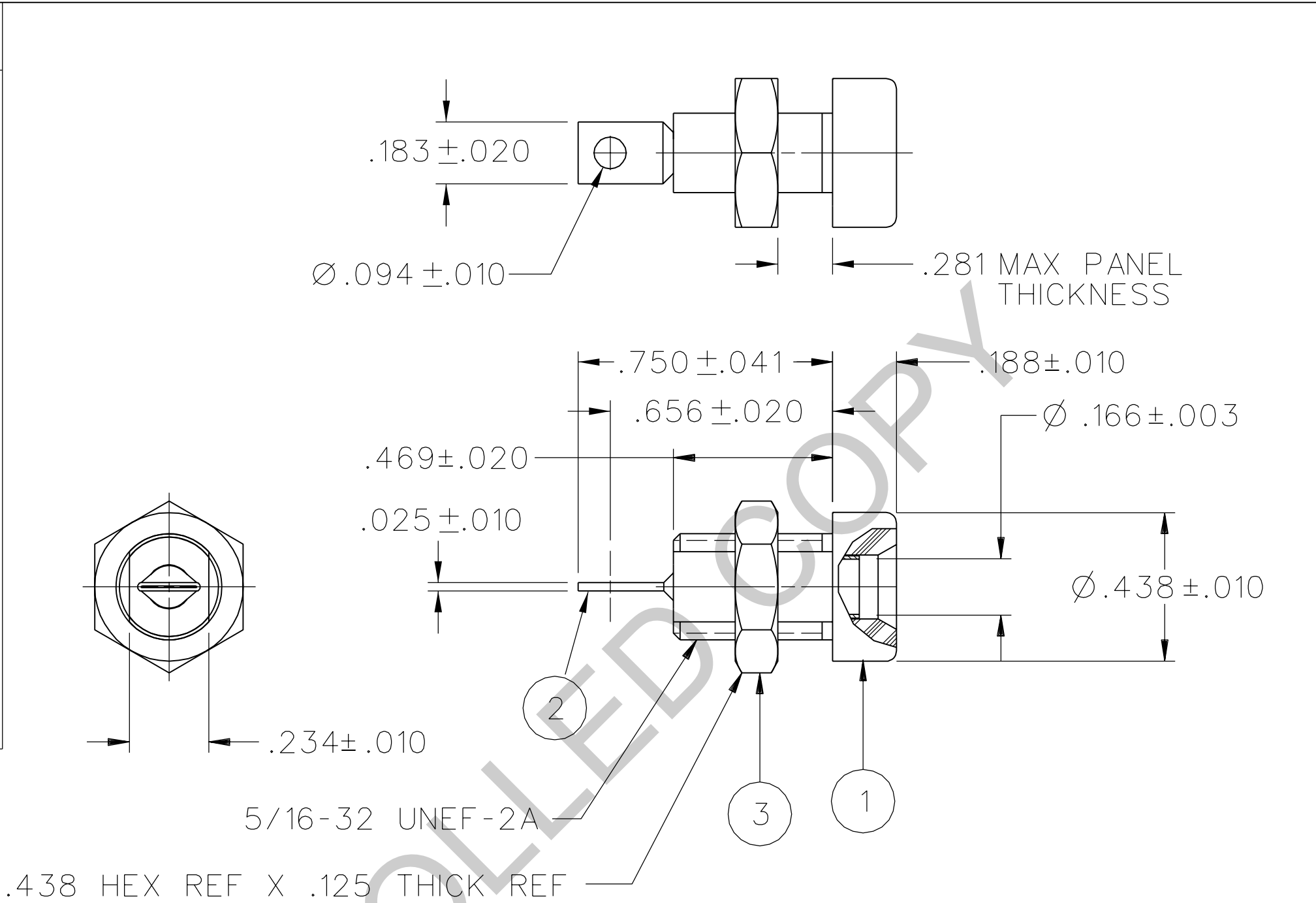
Tel: +86-755-8981 8866 Fax: +86-755-8427 6832

Email & Skype: info@chipsmall.com Web: www.chipsmall.com

Address: A1208, Overseas Decoration Building, #122 Zhenhua RD., Futian, Shenzhen, China



PART NUMBER	ITEM ①		ITEM ②	ITEM ③
	BODY	COLOR		
108-0901-001	NYLON	WHITE	BRASS TIN PL .0001 MIN OVER NICKEL PL .00005 MIN	BRASS NICKEL PL .0001 MIN
108-0902-001		RED		
108-0903-001		BLACK		
108-0904-001		GREEN		
108-0905-001				
108-0906-001		ORANGE		
108-0907-001		YELLOW		
108-0908-001		BROWN		
108-0909-001				
108-0910-001		BLUE		
108-0911-001				
108-0912-001		VIOLET		
108-0913-001		GRAY		
108-0914-001				
108-0915-001				
108-0916-001				
108-0917-001				
108-0918-001				
108-0919-001				
108-0920-001				



MOUNTING HOLE OPTIONS

NOTES:
 SPECIFICATIONS:
 ELECTRICAL:
 CURRENT RATING: 15 AMPS DC MINIMUM
 DIELECTRIC WITHSTANDING VOLTAGE: 7000 VRMS MINIMUM AT SEA LEVEL
 RECOMMENDED WORKING VOLTAGE: 3500 VRMS MAXIMUM AT SEA LEVEL
 INSULATION RESISTANCE: 5000 MEGOHMS MINIMUM
 CONTACT RESISTANCE: 10 MILLIOHMS MAXIMUM
 CAPACITANCE: 2.4 pF NOMINAL
 MECHANICAL:
 CONTACT RETENTION IN INSULATOR FORCE: 30 LBS MINIMUM
 CONTACT RETENTION IN INSULATOR TORQUE: 2 IN OZ MINIMUM
 INSULATOR RETENTION IN .062 PANEL FORCE: NOT APPLICABLE
 INSULATOR RETENTION IN .062 PANEL TORQUE: NOT APPLICABLE
 PLASTIC MOUNTING THREAD STRIPPING TORQUE: 6 IN LB MINIMUM
 WIRE ACCEPTABILITY: 12 AWG OR SMALLER
 WIRE ATTACHMENT: SOLDER
 MATING BANANA PLUG SPRING WIDTH: .175 NOMINAL
 DURABILITY: 1000 CYCLES MINIMUM
 ENVIRONMENTAL:
 (MEETS OR EXCEEDS THE APPLICABLE PARAGRAPH OF MIL-PRF-39024)
 OPERATING TEMPERATURE: -55 DEG C TO 85 DEG C
 TEMPERATURE RISE AT RATED CURRENT: 10 DEG C MAXIMUM
 CORROSION: MIL-STD-1344, METHOD 1001, CONDITION B
 SHOCK: MIL-STD-1344, METHOD 2004, CONDITION G
 VIBRATION: MIL-STD-1344, METHOD 2005, CONDITION I
 HUMIDITY: MIL-STD-1344, METHOD 1002, CONDITION B

DRAWING NO.
 B - 108-0901/0920-001
 0 REVISIONS
 REVISED AND REDRAWN. DRAWING WAS "C" SIZE 108-0901/0920-001/020 DATED 3-30-88. SPLIT INTO 6 SEPERATE DWGS. CREATED SHEET 2.
 26a 1-9-03 R H R J B 10-1-03 ECN 48696

CUSTOMER DRAWING

THIS DRAWING TO BE INTERPRETED PER ASME Y 14.5M - 1994

"μSTATION"

COMPANY CONFIDENTIAL

TOLERANCE UNLESS OTHERWISE SPECIFIED		DRAWN BY	DATE
DECIMALS	mm	RJB	12-27-02
.XX	_____	CHECKED BY	DATE
.XXX	_____		
MATL	_____	APPROVED BY	DATE
		RJB	10-1-03
FINISH	_____	RELEASE DATE	10-1-03
		U/M	INCH
		SCALE	2:1

cinch CONNECTIVITY SOLUTIONS
 a bel group

Cinch Connectivity Solutions
 P.O. Box 1732
 Waseca, MN 56093
 1-800-247-8256

TITLE
 ASSEMBLY, BANANA JACK, INSULATED THREADED PANEL MOUNT, SOLDER TERMINAL

SHEET 2 OF 2
 DRAWING NO. B - 108-0901/0920-001