



Chipsmall Limited consists of a professional team with an average of over 10 year of expertise in the distribution of electronic components. Based in Hongkong, we have already established firm and mutual-benefit business relationships with customers from,Europe,America and south Asia,supplying obsolete and hard-to-find components to meet their specific needs.

With the principle of “Quality Parts,Customers Priority,Honest Operation,and Considerate Service”,our business mainly focus on the distribution of electronic components. Line cards we deal with include Microchip,ALPS,ROHM,Xilinx,Pulse,ON,Everlight and Freescale. Main products comprise IC,Modules,Potentiometer,IC Socket,Relay,Connector.Our parts cover such applications as commercial,industrial, and automotives areas.

We are looking forward to setting up business relationship with you and hope to provide you with the best service and solution. Let us make a better world for our industry!



Contact us

Tel: +86-755-8981 8866 Fax: +86-755-8427 6832

Email & Skype: info@chipsmall.com Web: www.chipsmall.com

Address: A1208, Overseas Decoration Building, #122 Zhenhua RD., Futian, Shenzhen, China



PART NUMBER	ITEM ①	ITEM ②	ITEM ③	
	BODY	SPRING	HANDLE	COLOR
108-1001-001	BRASS NICKEL PL .0001 MIN	BERYLLIUM COPPER NICKEL PL .0001 MIN	NYLON	WHITE
108-1002-001				RED
108-1003-001				BLACK
108-1004-001				GREEN
108-1005-001				
108-1006-001				ORANGE
108-1007-001				YELLOW
108-1008-001				BROWN
108-1009-001				
108-1010-001				BLUE
108-1011-001				
108-1012-001				VIOLET
108-1013-001				GRAY
108-1014-001				
108-1015-001				
108-1016-001				
108-1017-001				
108-1018-001				
108-1019-001				
108-1020-001				

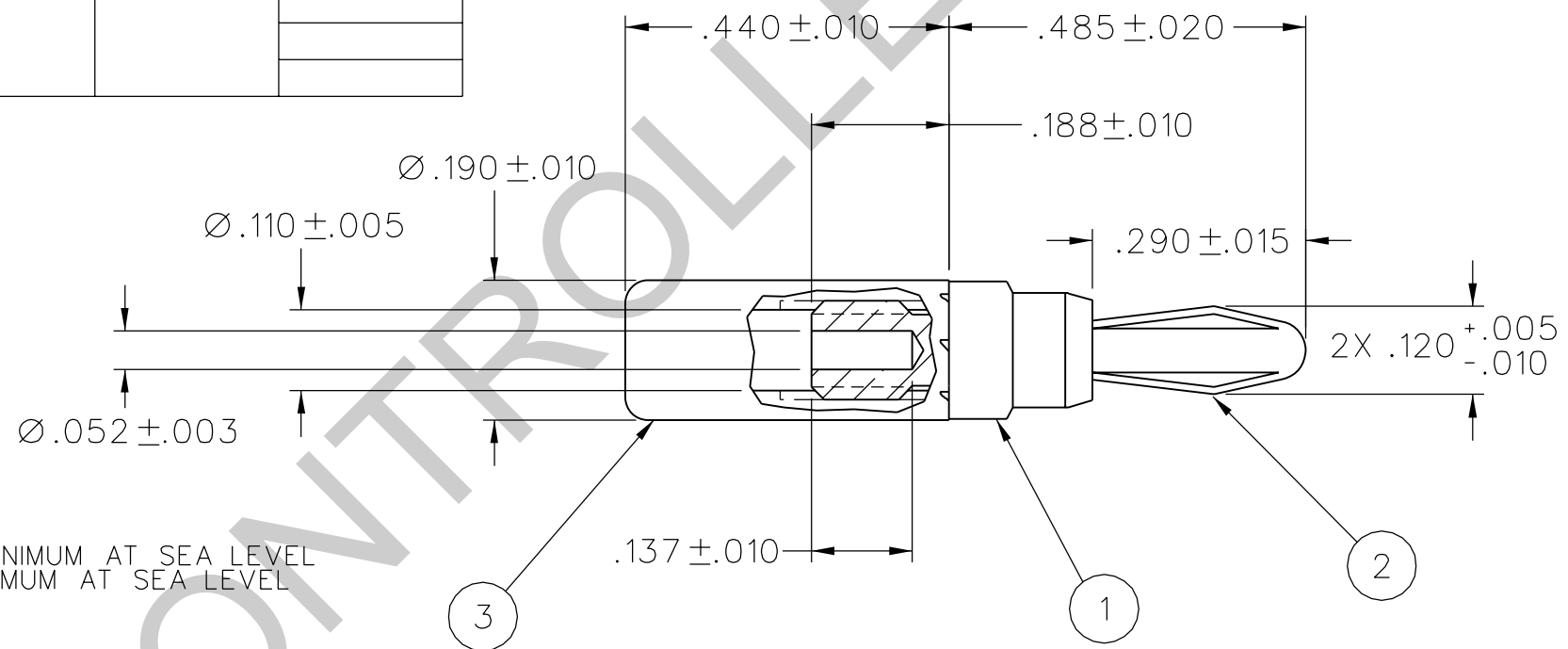
DRAWING NO.
B-108-1001/1020-001

0 REVISIONS

UPDATE GRAPHICS

* REVISION NUMBER FOLLOWED BY AN ALPHA *
* CHARACTER INDICATES DRAWING CLARIFI- *
* CATION OR PART NUMBER ADDITION ONLY. *

8b	10-31-06	P A T	R J B	M J U	J C N	12-4-06	ECN 50777
----	----------	-------------	-------------	-------------	-------------	---------	-----------



NOTES:

SPECIFICATIONS:

ELECTRICAL:

CURRENT RATING: 10 AMPS DC MINIMUM
DIELECTRIC WITHSTANDING VOLTAGE: 3500 VRMS MINIMUM AT SEA LEVEL
RECOMMENDED WORKING VOLTAGE: 1750 VRMS MAXIMUM AT SEA LEVEL
INSULATION RESISTANCE: 5000 MEGOHMS MINIMUM
CONTACT RESISTANCE: 10 MILLIOHMS MAXIMUM

MECHANICAL:

INSERTION/WITHDRAWAL FORCE: .5 - 5.0 POUNDS
CONTACT SPRING RETENTION FORCE: 20 POUNDS MINIMUM
WIRE ACCEPTABILITY: 18 AWG OR SMALLER
WIRE ATTACHMENT: SOLDER
MATING BANANA JACK DIAMETER: .104 NOMINAL
DURABILITY: 1000 CYCLES MINIMUM

ENVIRONMENTAL:

(MEETS OR EXCEEDS THE APPLICABLE PARAGRAPH OF MIL-C-28901)
OPERATING TEMPERATURE: -55 DEG C TO 85 DEG C.
TEMPERATURE RISE AT RATED CURRENT: 10 DEG C MAXIMUM
CORROSION: MIL-STD-1344, METHOD 1001, CONDITION B
SHOCK: MIL-STD-1344, METHOD 2004, CONDITION G
VIBRATION: MIL-STD-1344, METHOD 2005, CONDITION I
HUMIDITY: MIL-STD-1344, METHOD 1002, CONDITION B

CUSTOMER DRAWING

THIS DRAWING TO BE INTERPRETED
PER ASME Y 14.5M - 1994

"μ STATION"

COMPANY CONFIDENTIAL

TOLERANCE UNLESS OTHERWISE SPECIFIED		DRAWN BY	DATE
DECIMALS	mm	PAT	11-27-06
.XX	_____	CHECKED BY	DATE
.XXX	_____	RJB	11-28-06
MATL	_____	APPROVED BY	DATE
		JCN	11-28-06
FINISH	_____	RELEASE DATE	12-4-06 (10-30-91)
		U/M	INCH
		SCALE	4:1

Cinch Connectivity Solutions
P.O. Box 1732
Waseca, MN 56093
1-800-247-8256

TITLE
ASSEMBLY, MINI BANANA PLUG,
INSULATED HANDLE, ROUND BODY,
SOLDER BACK HOLE

SHEET	DRAWING NO.
2 OF 2	B-108-1001/1020-001