



Chipsmall Limited consists of a professional team with an average of over 10 year of expertise in the distribution of electronic components. Based in Hongkong, we have already established firm and mutual-benefit business relationships with customers from,Europe,America and south Asia,supplying obsolete and hard-to-find components to meet their specific needs.

With the principle of “Quality Parts,Customers Priority,Honest Operation,and Considerate Service”,our business mainly focus on the distribution of electronic components. Line cards we deal with include Microchip,ALPS,ROHM,Xilinx,Pulse,ON,Everlight and Freescale. Main products comprise IC,Modules,Potentiometer,IC Socket,Relay,Connector.Our parts cover such applications as commercial,industrial, and automotives areas.

We are looking forward to setting up business relationship with you and hope to provide you with the best service and solution. Let us make a better world for our industry!



Contact us

Tel: +86-755-8981 8866 Fax: +86-755-8427 6832

Email & Skype: info@chipsmall.com Web: www.chipsmall.com

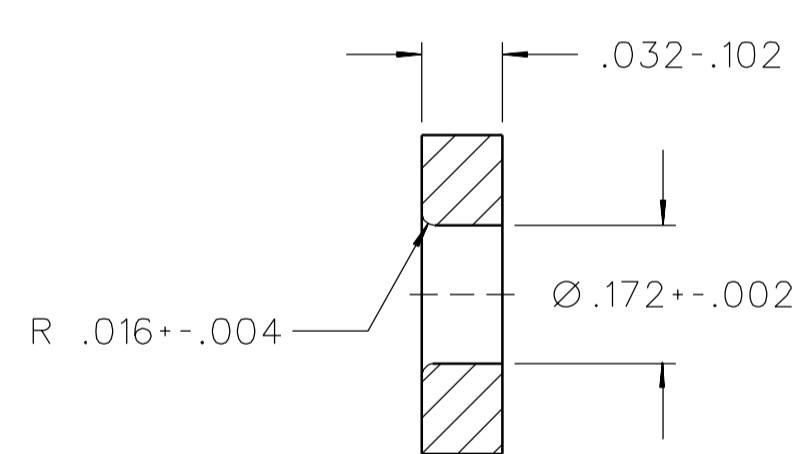
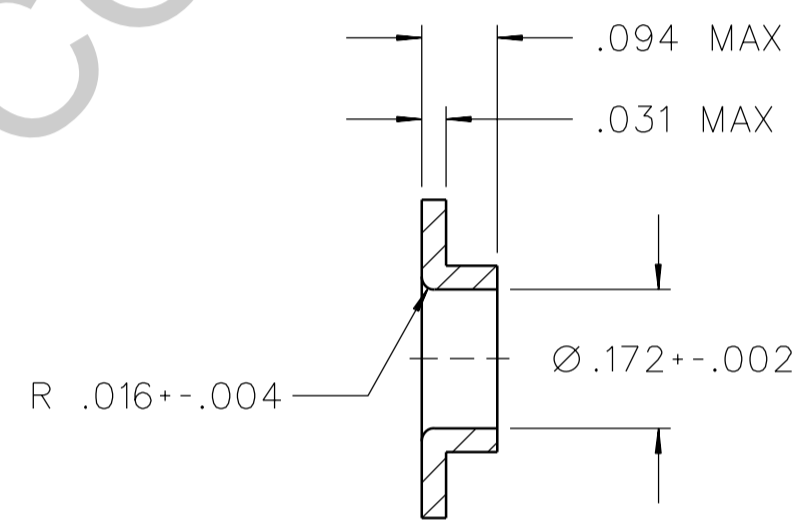
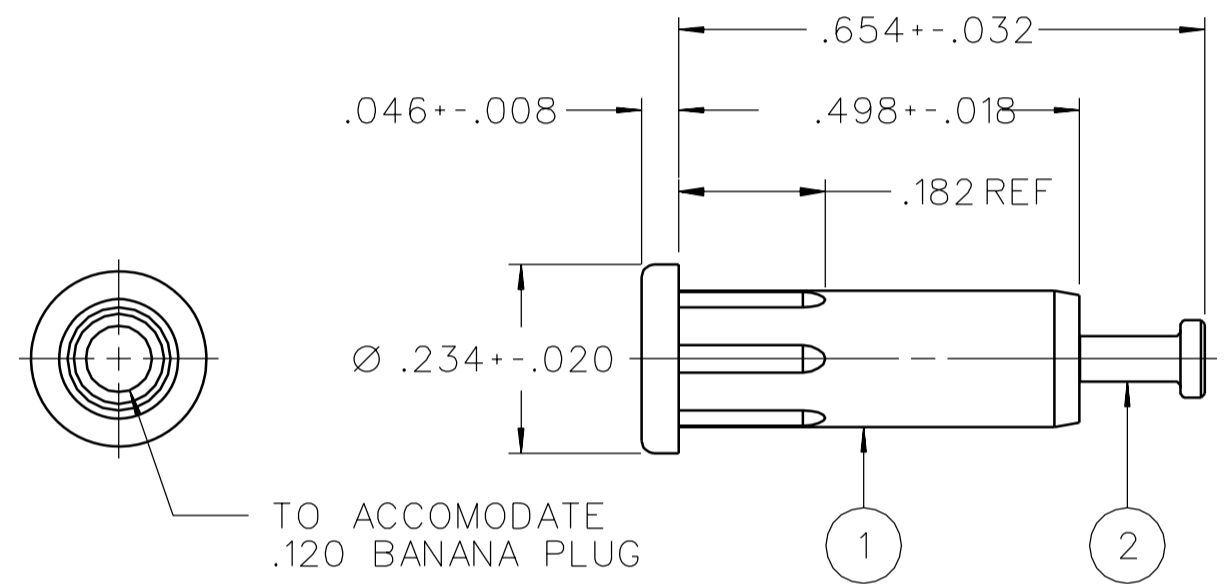
Address: A1208, Overseas Decoration Building, #122 Zhenhua RD., Futian, Shenzhen, China



PART NUMBER	ITEM ① BODY	ITEM ② CONTACT
108-11XX-001	NYLON	BRASS SILVER PL .0001 MIN

CATALOG DESIGNATION FOR VARIOUS COLORED BODIES	
PART NUMBER	COLOR
108-1101-001	WHITE
108-1102-001	RED
108-1103-001	BLACK
108-1104-001	GREEN
108-1105-001	
108-1106-001	ORANGE
108-1107-001	YELLOW
108-1108-001	BROWN
108-1109-001	LIGHT GREEN
108-1110-001	BLUE
108-1111-001	
108-1112-001	VIOLET
108-1113-001	GRAY

DRAWING NO.	1101
C - 108-1120-001	
0	REVISIONS
ENGINEERING RELEASE	
06	08-29-89 E J R R F G S M H A W 1-17-90 ECO 24319
ADDED: .654+-.032 .182 REF DELETED: .700+-.015 CHANGED: DIA .234+-.020 WAS DIA .218 +-.010, .046+-.008 WAS .046+-.010, .498+-.010 WAS .491+-.015	
7	1-27-93 R H D M C R J B ECO 41560



MOUNTING HOLE OPTIONS

NOTES:

1. SPECIFICATIONS:

MECHANICAL:

TORQUE: 12 OZ IN MIN REQUIRED TO TURN CONTACT IN BODY
TORQUE: 12 OZ IN MIN REQUIRED TO TURN BODY IN PANEL
PUSHOUT FORCE: 20 LBS MIN REQUIRED TO REMOVE CONTACT FROM BODY
PUSHOUT FORCE: 15 LBS MIN REQUIRED TO REMOVE BODY FROM PANEL

ELECTRICAL:

DIELECTRIC WITHSTANDING VOLTAGE: 3500 VRMS MIN
CURRENT RATING: 10 AMPS MIN
CONTACT RESISTANCE: 10 MILLIOHMS MAX
CAPACITANCE: 2.0 pF NOMINAL
INSULATION RESISTANCE: 5000 MEGOHMS MIN

ENVIRONMENTAL:

LIFE EXPECTANCY: 5000 CYCLES MIN
TEMPERATURE RANGE: -55 TO +85 C
VIBRATION: 10 TO 55 Hz MIN
SHOCK: 100 g's MIN


UNCONTROLLED COPY

CUSTOMER DRAWING

THIS DRAWING TO BE INTERPRETED
PER ANSII Y 14.5M - 1982

"μSTATION"

COMPANY CONFIDENTIAL

TOLERANCE UNLESS OTHERWISE SPECIFIED	DRAWN BY E J	DATE 9-12-89	 Cinch CONNECTIVITY SOLUTIONS a bel group	Cinch Connectivity Solutions P.O. Box 1732 Waseca, MN 56093 1-800-247-8256		
DECIMALS mm	CHECKED BY RRF	DATE 1-12-90		TITLE MINI BANANA JACK, RIB-LOC FOR .120 BANANA PLUG		
.XX _____	APPROVED BY GSQ	DATE 1-12-90		SHEET 2 OF 2	DRAWING NO. C - 108-1101/1120-001	
.XXX _____	RELEASE DATE 1-17-90	SCALE 4:1				
MATL _____	U/M	INCH				
FINISH _____						