



Chipsmall Limited consists of a professional team with an average of over 10 year of expertise in the distribution of electronic components. Based in Hongkong, we have already established firm and mutual-benefit business relationships with customers from,Europe,America and south Asia,supplying obsolete and hard-to-find components to meet their specific needs.

With the principle of “Quality Parts,Customers Priority,Honest Operation,and Considerate Service”,our business mainly focus on the distribution of electronic components. Line cards we deal with include Microchip,ALPS,ROHM,Xilinx,Pulse,ON,Everlight and Freescale. Main products comprise IC,Modules,Potentiometer,IC Socket,Relay,Connector.Our parts cover such applications as commercial,industrial, and automotives areas.

We are looking forward to setting up business relationship with you and hope to provide you with the best service and solution. Let us make a better world for our industry!



## Contact us

Tel: +86-755-8981 8866 Fax: +86-755-8427 6832

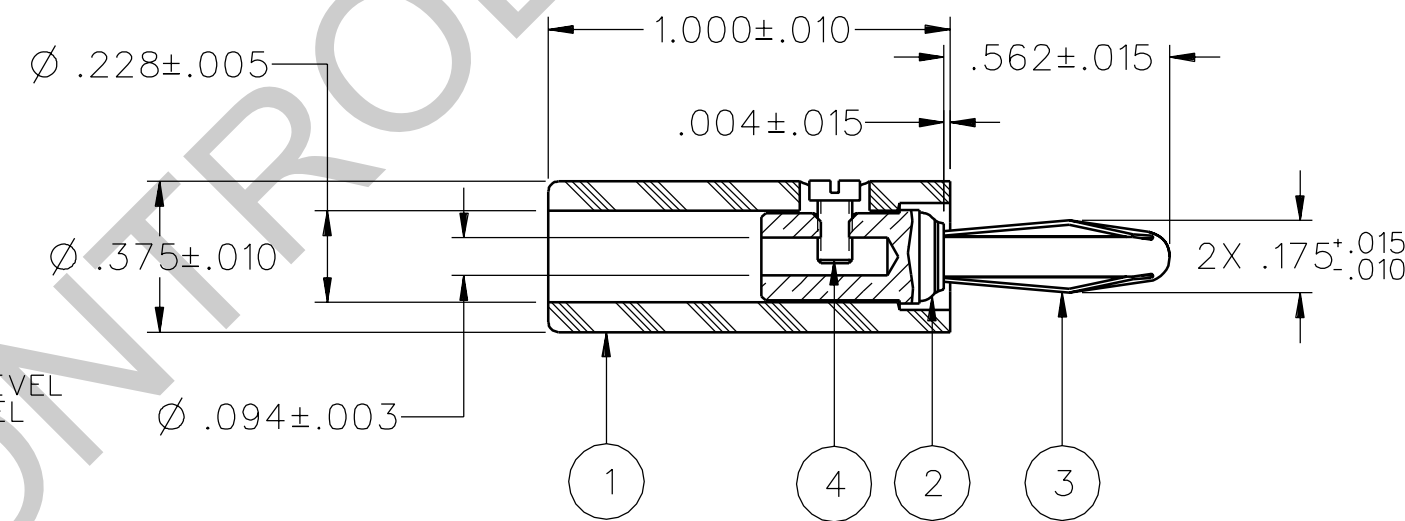
Email & Skype: info@chipsmall.com Web: www.chipsmall.com

Address: A1208, Overseas Decoration Building, #122 Zhenhua RD., Futian, Shenzhen, China



PART NUMBER	ITEM ① HANDLE	COLOR	ITEM ② BODY	ITEM ③ SPRING	ITEM ④ SCREW
108-1701-101	NYLON	WHITE	BRASS NICKEL PL .0001 MIN	NICKEL SILVER NICKEL PL .0001 MIN	BRASS NICKEL PL .0001 MIN
108-1702-101		RED			
108-1703-101		BLACK			
108-1704-101		GREEN			
108-1705-101					
108-1706-101		ORANGE			
108-1707-101		YELLOW			
108-1708-101		BROWN			
108-1709-101					
108-1710-101		BLUE			
108-1711-101					
108-1712-101		VIOLET			
108-1713-101		GRAY			
108-1714-101					
108-1715-101					
108-1716-101					
108-1717-101					
108-1718-101					
108-1719-101					
108-1720-101					

DRAWING NO. B - 108-1701/1720-101					
0	REVISIONS				
***** * REVISION NUMBER FOLLOWED BY AN ALPHA * * CHARACTER INDICATES DRAWING CLARIFI- * * CATION OR PART NUMBER ADDITION ONLY. * *****					
14a	9-13-94	R H	S W C	T A K	R J B
					9-27-94 ECN 42639



NOTES:  
1. SPECIFICATIONS:

ELECTRICAL:

CURRENT RATING: 15 AMPS DC MINIMUM  
DIELECTRIC WITHSTANDING VOLTAGE: 3500 VRMS MIN AT SEA LEVEL  
RECOMMENDED WORKING VOLTAGE: 1750 VRMS MAX AT SEA LEVEL  
INSULATION RESISTANCE: 5000 MEGOHMS MIN  
CONTACT RESISTANCE: 10 MILLIOHMS MAXIMUM

MECHANICAL:

INSERTION/WITHDRAWAL FORCE: 1.0 - 12.0 POUNDS  
CONTACT SPRING RETENTION FORCE: 15 POUNDS MINIMUM  
WIRE ACCEPTABILITY: 14 AWG OR SMALLER  
WIRE ATTACHMENT: SOLDERLESS, SET SCREW  
MATING BANANA JACK DIAMETER: .166 NOMINAL  
DURABILITY: 1000 CYCLES MINIMUM

ENVIRONMENTAL:

(MEETS OR EXCEEDS THE APPLICABLE PARAGRAPH OF MIL-C-28901)  
OPERATING TEMPERATURE: -55 DEG C TO 85 DEG C.  
TEMPERATURE RISE AT RATED CURRENT: 10 DEG C MAXIMUM  
CORROSION: MIL-STD-1344, METHOD 1001, CONDITION B  
SHOCK: MIL-STD-1344, METHOD 2004, CONDITION G  
VIBRATION: MIL-STD-1344, METHOD 2005, CONDITION I  
HUMIDITY: MIL-STD-1344, METHOD 1002, CONDITION B

CUSTOMER DRAWING

THIS DRAWING TO BE INTERPRETED  
PER ASME Y 14.5M - 1994

"μ STATION"

COMPANY CONFIDENTIAL

TOLERANCE UNLESS OTHERWISE SPECIFIED		DRAWN BY	DATE
DECIMALS	mm	SWC	4-4-94
.XX	_____	CHECKED BY	DATE
.XXX	_____	TAK	9-19-94
MATL	_____	APPROVED BY	DATE
		RJB	9-20-94
FINISH	_____	RELEASE DATE	9-27-94
		U/M	INCH
		SCALE	4:1



Cinch Connectivity Solutions  
P.O. Box 1732  
Waseca, MN 56093  
1-800-247-8256

TITLE ASSEMBLY, BANANA PLUG  
INSULATED HANDLE, ROUND BODY  
SOLDERLESS BLACKHOLE, SET SCREW

SHEET  
2 OF 2

DRAWING NO.  
B - 108-1701/1720-101