



Chipsmall Limited consists of a professional team with an average of over 10 year of expertise in the distribution of electronic components. Based in Hongkong, we have already established firm and mutual-benefit business relationships with customers from,Europe,America and south Asia,supplying obsolete and hard-to-find components to meet their specific needs.

With the principle of “Quality Parts,Customers Priority,Honest Operation,and Considerate Service”,our business mainly focus on the distribution of electronic components. Line cards we deal with include Microchip,ALPS,ROHM,Xilinx,Pulse,ON,Everlight and Freescale. Main products comprise IC,Modules,Potentiometer,IC Socket,Relay,Connector.Our parts cover such applications as commercial,industrial, and automotives areas.

We are looking forward to setting up business relationship with you and hope to provide you with the best service and solution. Let us make a better world for our industry!



Contact us

Tel: +86-755-8981 8866 Fax: +86-755-8427 6832

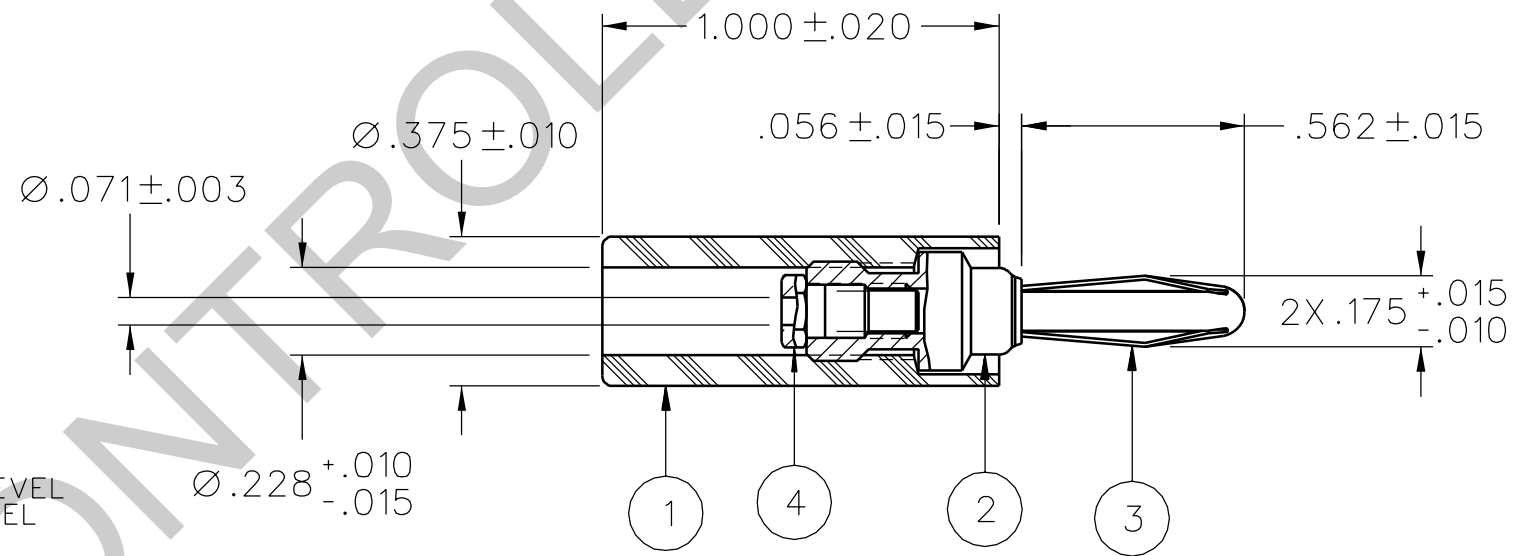
Email & Skype: info@chipsmall.com Web: www.chipsmall.com

Address: A1208, Overseas Decoration Building, #122 Zhenhua RD., Futian, Shenzhen, China



| PART NUMBER | ITEM ① | | ITEM ② | ITEM ③ | ITEM ④ |
|--------------|--------|--------|------------------------------|--------------------------------------|---|
| | HANDLE | COLOR | BODY | SPRING | STUD |
| 108-1721-101 | NYLON | WHITE | BRASS NICKEL PL .0001 MIN | NICKEL SILVER NICKEL PL .0001 MIN | BRASS BRIGHT TIN PL .0001 MIN OVER NICKEL PL .00005 MIN |
| 108-1722-101 | | RED | | | |
| 108-1723-101 | | BLACK | | | |
| 108-1724-101 | | GREEN | | | |
| 108-1725-101 | | | | | |
| 108-1726-101 | | ORANGE | | | |
| 108-1727-101 | | YELLOW | | | |
| 108-1728-101 | | BROWN | | | |
| 108-1729-101 | | | | | |
| 108-1730-101 | | BLUE | | | |
| 108-1731-101 | | | | | |
| 108-1732-101 | | VIOLET | | | |
| 108-1733-101 | | GRAY | | | |
| 108-1734-101 | | | | | |
| 108-1735-101 | | | | | |
| 108-1736-101 | | | | | |
| 108-1737-101 | | | | | |
| 108-1738-101 | | | | | |
| 108-1739-101 | | | | | |
| 108-1740-101 | | | | | |

| | |
|--|---|
| DRAWING NO. B - 108-1721/1740-101 | |
| 0 | REVISIONS |
| ***** * REVISION NUMBER FOLLOWED BY AN ALPHA * * CHARACTER INDICATES DRAWING CLARIFI- * * CATION OR PART NUMBER ADDITION ONLY. * ***** | |
| 14a | 9-14-94 R H S W T R J B ECN 42639 |
| DIA .228+.010 -.015 WAS DIA .228 ±.005, 1.000±.020 WAS 1.000±.010 ***** * REVISION NUMBER FOLLOWED BY AN ALPHA * * CHARACTER INDICATES DRAWING CLARIFI- * * CATION OR PART NUMBER ADDITION ONLY. * ***** | |
| 14b | 6-3-08 P A T R J B M J J U T J C N 6-9-08 ECN 51528 |



NOTES:

1. SPECIFICATIONS:

ELECTRICAL:

CURRENT RATING: 15 AMPS DC MINIMUM
 DIELECTRIC WITHSTANDING VOLTAGE: 3500 VRMS MIN AT SEA LEVEL
 RECOMMENDED WORKING VOLTAGE: 1750 VRMS MAX AT SEA LEVEL
 INSULATION RESISTANCE: 5000 MEGOHMS MIN
 CONTACT RESISTANCE: 10 MILLIOHMS MAXIMUM

MECHANICAL:

INSERTION/WITHDRAWAL FORCE: 1.0 - 12.0 POUNDS
 CONTACT SPRING RETENTION FORCE: 15 POUNDS MINIMUM
 WIRE ACCEPTABILITY: 16 AWG OR SMALLER
 WIRE ATTACHMENT: SOLDER OR FLARE AND CLAMP USING THREADED STUD
 MATING BANANA JACK DIAMETER: .166 NOMINAL
 DURABILITY: 1000 CYCLES MINIMUM

ENVIRONMENTAL:


(MEETS OR EXCEEDS THE APPLICABLE PARAGRAPH OF MIL-C-28901)
 OPERATING TEMPERATURE: -55 DEG C TO 85 DEG C.
 TEMPERATURE RISE AT RATED CURRENT: 10 DEG C MAXIMUM
 CORROSION: MIL-STD-1344, METHOD 1001, CONDITION B
 SHOCK: MIL-STD-1344, METHOD 2004, CONDITION G
 VIBRATION: MIL-STD-1344, METHOD 2005, CONDITION I
 HUMIDITY: MIL-STD-1344, METHOD 1002, CONDITION B

CUSTOMER DRAWING

THIS DRAWING TO BE INTERPRETED
PER ASME Y 14.5M - 1994

"μSTATION"

COMPANY CONFIDENTIAL

| | | | | | |
|--------------------------------------|--------------------|-----------------|---|--|--|
| TOLERANCE UNLESS OTHERWISE SPECIFIED | DRAWN BY SWC | DATE 3-31-94 |  Cinch CONNECTIVITY SOLUTIONS a bel group | Cinch Connectivity Solutions P.O. Box 1732 Waseca, MN 56093 1-800-247-8256 | |
| DECIMALS mm | CHECKED BY TAK | DATE 9-19-94 | | TITLE ASSEMBLY, BANANA PLUG, INSULATED HANDLE ROUND BODY, SOLDER OR SOLDERLESS STUD | |
| .XX _____ | APPROVED BY RJB | DATE 9-20-94 | SHEET DRAWING NO. 2 OF 2 B - 108-1721/1740-101 | | |
| .XXX _____ | RELEASE DATE | 9-20-94 | SCALE 2:1 | | |
| MATL _____ | U/M INCH | | | | |
| FINISH _____ | | | | | |