



Chipsmall Limited consists of a professional team with an average of over 10 year of expertise in the distribution of electronic components. Based in Hongkong, we have already established firm and mutual-benefit business relationships with customers from,Europe,America and south Asia,supplying obsolete and hard-to-find components to meet their specific needs.

With the principle of "Quality Parts,Customers Priority,Honest Operation,and Considerate Service",our business mainly focus on the distribution of electronic components. Line cards we deal with include Microchip,ALPS,ROHM,Xilinx,Pulse,ON,Everlight and Freescale. Main products comprise IC,Modules,Potentiometer,IC Socket,Relay,Connector.Our parts cover such applications as commercial,industrial, and automotives areas.

We are looking forward to setting up business relationship with you and hope to provide you with the best service and solution. Let us make a better world for our industry!



Contact us

Tel: +86-755-8981 8866 Fax: +86-755-8427 6832

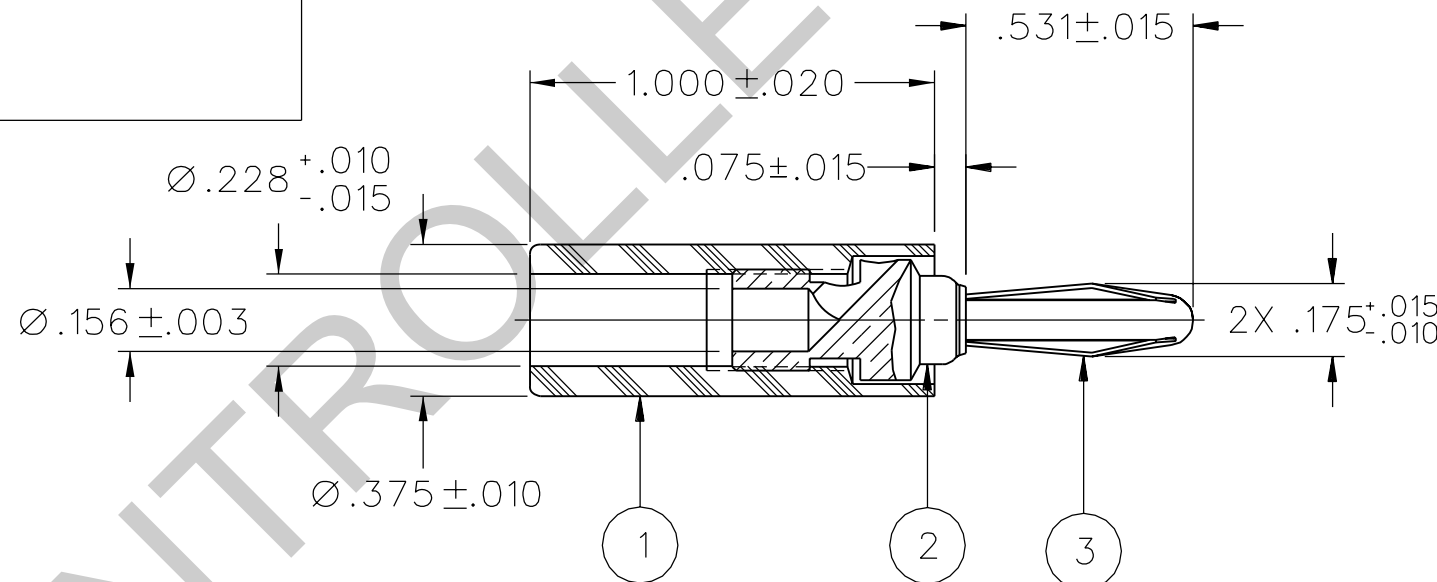
Email & Skype: info@chipsmall.com Web: www.chipsmall.com

Address: A1208, Overseas Decoration Building, #122 Zhenhua RD., Futian, Shenzhen, China



PART NUMBER	ITEM ①		ITEM ②	ITEM ③
	HANDLE	COLOR		
108-1721-103	NYLON	WHITE	BRASS NICKEL PL .0001 MIN	NICKEL SILVER NICKEL PL .0001 MIN
108-1722-103		RED		
108-1723-103		BLACK		
108-1724-103		GREEN		
108-1725-103				
108-1726-103		ORANGE		
108-1727-103		YELLOW		
108-1728-103		BROWN		
108-1729-103				
108-1730-103		BLUE		
108-1731-103				
108-1732-103		VIOLET		
108-1733-103		GRAY		
108-1734-103				
108-1735-103				
108-1736-103				
108-1737-103				
108-1738-103				
108-1739-103				
108-1740-103				

DRAWING NO. B - 108-1721/1740-103							
0 REVISIONS							
14a	9-14-94	R H	S W C	T A K R J B	9-27-94 ECN 42639		
CHANGED: 15 LBS RETENTION FORCE WAS 25 LBS							
***** * REVISION NUMBER FOLLOWED BY AN ALPHA * * CHARACTER INDICATES DRAWING CLARIFICATION OR PART NUMBER ADDITION ONLY. * *****							
14b	10-22-96	R H	R J B		ECN 44344		
DIA .228 -.010 +.015 WAS DIA .228 ±.005, 1.000±.020 WAS 1.000±.010							
***** * REVISION NUMBER FOLLOWED BY AN ALPHA * * CHARACTER INDICATES DRAWING CLARIFICATION OR PART NUMBER ADDITION ONLY. * *****							
14c	6-3-08	P A T	R J B	M J U	T J S	J C N	6-9-08 ECN 51529



NOTES:

1. SPECIFICATIONS:

ELECTRICAL:

CURRENT RATING: 15 AMPS DC MINIMUM
 DIELECTRIC WITHSTANDING VOLTAGE: 3500 VRMS MIN AT SEA LEVEL
 RECOMMENDED WORKING VOLTAGE: 1750 VRMS MAX AT SEA LEVEL
 INSULATION RESISTANCE: 5000 MEGOHMS MIN
 CONTACT RESISTANCE: 10 MILLIOHMS MAXIMUM

MECHANICAL:

INSERTION/WITHDRAWAL FORCE: 1.0 - 12.0 POUNDS
 CONTACT SPRING RETENTION FORCE: 15 POUNDS MINIMUM
 WIRE ACCEPTABILITY: 16 AWG OR SMALLER
 WIRE ATTACHMENT: SOLDER OR SOLDERLESS, SCREW DOWN HANDLE
 MATING BANANA JACK DIAMETER: .166 NOMINAL
 DURABILITY: 1000 CYCLES MINIMUM

ENVIRONMENTAL:

(MEETS OR EXCEEDS THE APPLICABLE PARAGRAPH OF MIL-C-28901)
 OPERATING TEMPERATURE: -55 DEG C TO 85 DEG C.
 TEMPERATURE RISE AT RATED CURRENT: 10 DEG C MAXIMUM
 CORROSION: MIL-STD-1344, METHOD 1001, CONDITION B
 SHOCK: MIL-STD-1344, METHOD 2004, CONDITION G
 VIBRATION: MIL-STD-1344, METHOD 2005, CONDITION I
 HUMIDITY: MIL-STD-1344, METHOD 1002, CONDITION B

CUSTOMER DRAWING

THIS DRAWING TO BE INTERPRETED PER ASME Y 14.5M - 1994

"μ STATION"

COMPANY CONFIDENTIAL

TOLERANCE UNLESS OTHERWISE SPECIFIED		DRAWN BY	DATE
DECIMALS	mm	SWC	4-4-94
.XX	_____	CHECKED BY	DATE
.XXX	_____	SWC	9-14-94
MATL	_____	APPROVED BY	DATE
FINISH	_____	TAK/RJB	9-19-94
		RELEASE DATE	9-27-94
U/M	INCH	SCALE	2:1

Cinch
CONNECTIVITY SOLUTIONS
a bel group

Cinch Connectivity Solutions
P.O. Box 1732
Waseca, MN 56093
1-800-247-8256

TITLE ASSEMBLY, BANANA PLUG, INSULATED HANDLE, ROUND BODY, SOLDER OR SOLDERLESS BACKHOLE

SHEET	DRAWING NO.
2 OF 2	B - 108-1721/1740-103