



Chipsmall Limited consists of a professional team with an average of over 10 year of expertise in the distribution of electronic components. Based in Hongkong, we have already established firm and mutual-benefit business relationships with customers from,Europe,America and south Asia,supplying obsolete and hard-to-find components to meet their specific needs.

With the principle of “Quality Parts,Customers Priority,Honest Operation,and Considerate Service”,our business mainly focus on the distribution of electronic components. Line cards we deal with include Microchip,ALPS,ROHM,Xilinx,Pulse,ON,Everlight and Freescale. Main products comprise IC,Modules,Potentiometer,IC Socket,Relay,Connector.Our parts cover such applications as commercial,industrial, and automotives areas.

We are looking forward to setting up business relationship with you and hope to provide you with the best service and solution. Let us make a better world for our industry!



## Contact us

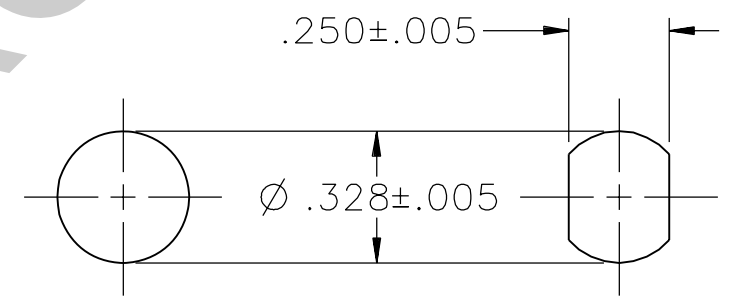
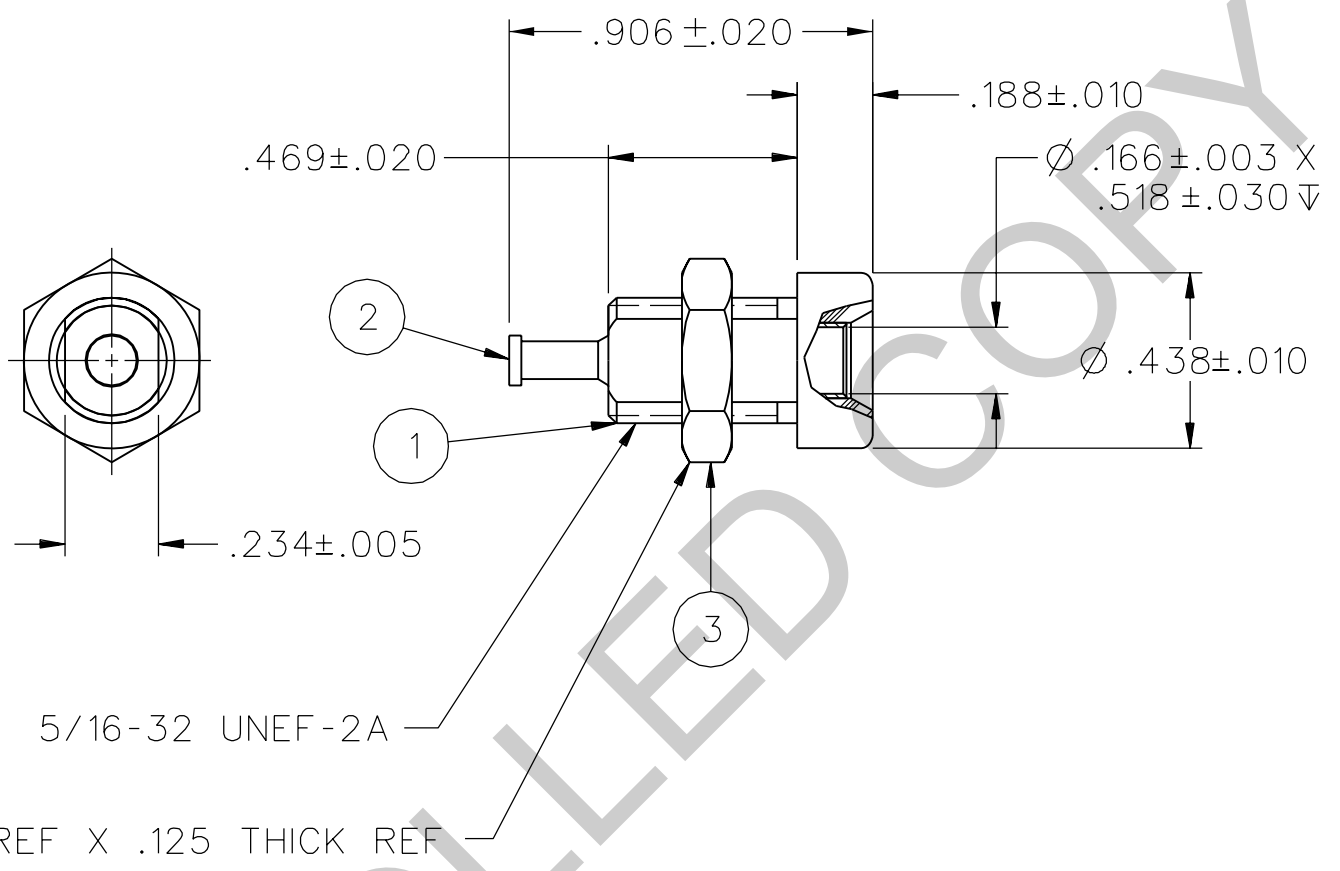
Tel: +86-755-8981 8866 Fax: +86-755-8427 6832

Email & Skype: info@chipsmall.com Web: www.chipsmall.com

Address: A1208, Overseas Decoration Building, #122 Zhenhua RD., Futian, Shenzhen, China



PART NUMBER	ITEM ①		ITEM ② CONTACT	ITEM ③ MOUNTING NUT
	BODY	COLOR		
108-2301-621	NYLON	WHITE	BRASS SILVER PL .0001 MIN OVER COPPER PL .00005 MIN	BRASS NICKEL PL .0001 MIN
108-2302-621		RED		
108-2303-621		BLACK		
108-2304-621		GREEN		
108-2305-621				
108-2306-621		ORANGE		
108-2307-621		YELLOW		
108-2308-621		BROWN		
108-2309-621				
108-2310-621		BLUE		
108-2311-621				
108-2312-621		VIOLET		
108-2313-621		GRAY		
108-2314-621				
108-2315-621				
108-2316-621				
108-2317-621				
108-2318-621				
108-2319-621				
108-2320-621				



MOUNTING HOLE OPTIONS

NOTES:

SPECIFICATIONS:

ELECTRICAL:

CURRENT RATING: 15 AMPS DC MINIMUM  
 DIELECTRIC WITHSTANDING VOLTAGE: 7000 VRMS MINIMUM AT SEA LEVEL  
 RECOMMENDED WORKING VOLTAGE: 3500 VRMS MAXIMUM AT SEA LEVEL  
 INSULATION RESISTANCE: 5000 MEGOHMS MINIMUM  
 CONTACT RESISTANCE: 10 MILLIOHMS MAXIMUM  
 CAPACITANCE: 2.4 pF NOMINAL

MECHANICAL:

CONTACT RETENTION IN INSULATOR FORCE: 20 LBS MINIMUM  
 CONTACT RETENTION IN INSULATOR TORQUE: 12 IN OZ MINIMUM  
 INSULATOR RETENTION IN .062 PANEL FORCE: NOT APPLICABLE  
 INSULATOR RETENTION IN .062 PANEL TORQUE: NOT APPLICABLE  
 PLASTIC MOUNTING THREAD STRIPPING TORQUE: 6 IN LB MINIMUM  
 WIRE ACCEPTABILITY: NOT APPLICABLE  
 WIRE ATTACHMENT: NOT APPLICABLE  
 MATING BANANA PLUG SPRING WIDTH: .175 NOMINAL  
 DURABILITY: 1000 CYCLES MINIMUM

ENVIRONMENTAL:

(MEETS OR EXCEEDS THE APPLICABLE PARAGRAPH OF MIL-C-39024)  
 OPERATING TEMPERATURE: -55 DEG C TO 85 DEG C  
 TEMPERATURE RISE AT RATED CURRENT: 10 DEG C MAXIMUM  
 CORROSION: MIL-STD-1344, METHOD 1001, CONDITION B  
 SHOCK: MIL-STD-1344, METHOD 2004, CONDITION G  
 VIBRATION: MIL-STD-1344, METHOD 2005, CONDITION I  
 HUMIDITY: MIL-STD-1344, METHOD 1002, CONDITION B

DRAWING NO. 2301	
B - 108-2320-621	
0	REVISIONS
REVISED AND REDRAWN. DRAWING WAS PART OF "c" SIZE DRAWING # 108-2301-621/2320-640, SPLIT INTO 3 SEPERATE DRAWINGS	
4a	11-10-97 R <sub>H</sub> R <sub>J</sub> ECN 45113

CUSTOMER DRAWING

THIS DRAWING TO BE INTERPRETED PER ASME Y 14.5M - 1994

"μSTATION"

COMPANY CONFIDENTIAL

TOLERANCE UNLESS OTHERWISE SPECIFIED	DRAWN BY RJB	DATE 9-20-97
DECIMALS .XX	CHECKED BY	DATE
.XXX ±.003	APPROVED BY RJB	DATE 11-11-97
MATL	RELEASE DATE (11-11-97)	
FINISH	U/M INCH	SCALE 2:1



Cinch Connectivity Solutions  
 P.O. Box 1732  
 Waseca, MN 56093  
 1-800-247-8256

TITLE ASSEMBLY, BANANA JACK, INSULATED, THREADED PANEL MOUNT, TURRET TERMINAL	
SHEET 2 OF 2	DRAWING NO. 2301 B - 108-2320-621