



Chipsmall Limited consists of a professional team with an average of over 10 year of expertise in the distribution of electronic components. Based in Hongkong, we have already established firm and mutual-benefit business relationships with customers from,Europe,America and south Asia,supplying obsolete and hard-to-find components to meet their specific needs.

With the principle of "Quality Parts,Customers Priority,Honest Operation,and Considerate Service",our business mainly focus on the distribution of electronic components. Line cards we deal with include Microchip,ALPS,ROHM,Xilinx,Pulse,ON,Everlight and Freescale. Main products comprise IC,Modules,Potentiometer,IC Socket,Relay,Connector.Our parts cover such applications as commercial,industrial, and automotives areas.

We are looking forward to setting up business relationship with you and hope to provide you with the best service and solution. Let us make a better world for our industry!



Contact us

Tel: +86-755-8981 8866 Fax: +86-755-8427 6832

Email & Skype: info@chipsmall.com Web: www.chipsmall.com

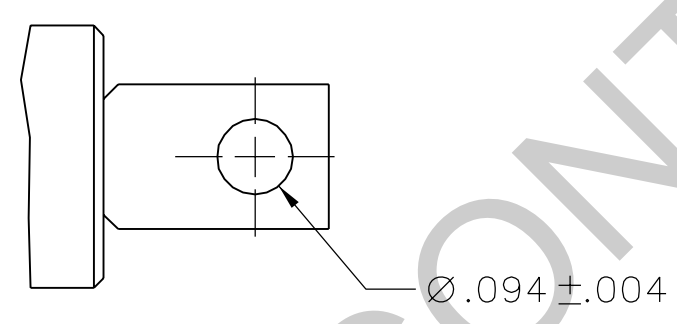
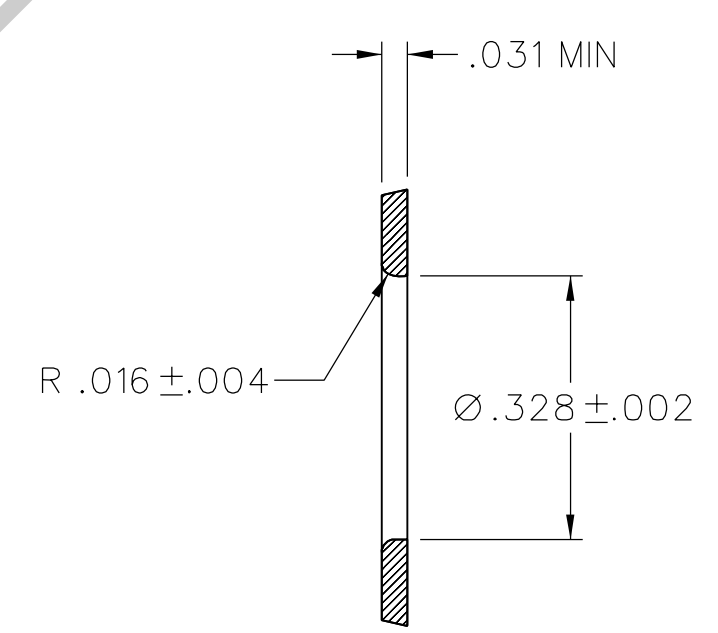
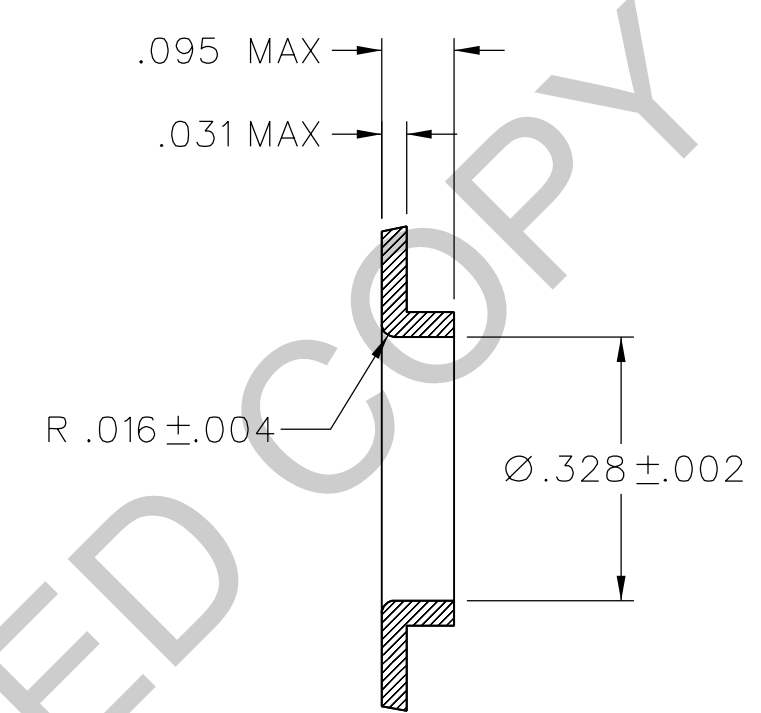
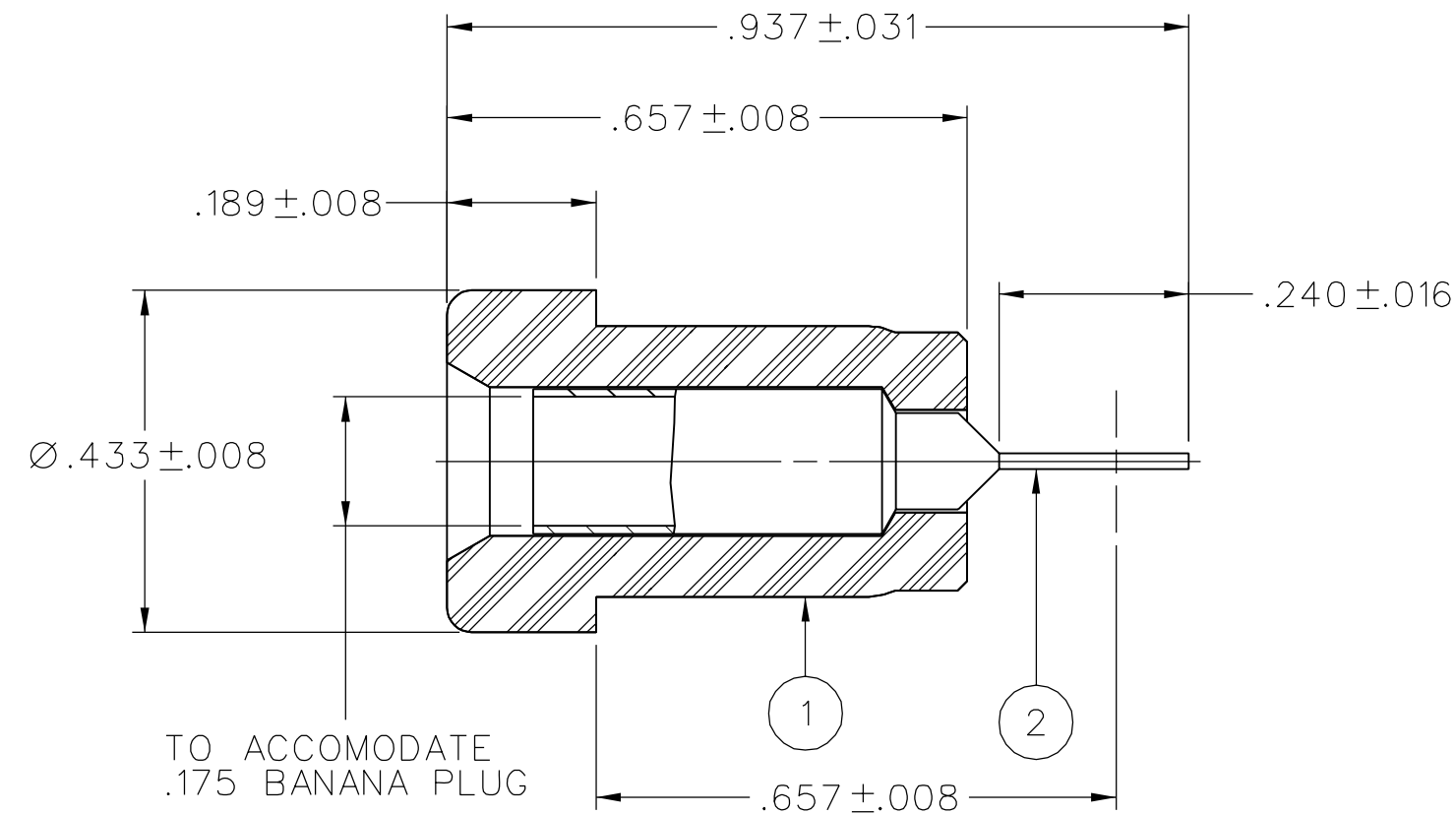
Address: A1208, Overseas Decoration Building, #122 Zhenhua RD., Futian, Shenzhen, China



PART NUMBER	ITEM ① BODY	ITEM ② CONTACT
108-XXXX-801	NYLON	BRASS TIN PL .0001 MIN OVER NICKEL PL .00005 MIN
108-XXXX-802	NYLON	BRASS GOLD PL .00001 MIN OVER NICKEL PL .00003 MIN

CATALOG DESIGNATION FOR VARIOUS COLORED BODIES	
PART NUMBER	COLOR
108-2301-XXX	WHITE
108-2302-XXX	RED
108-2303-XXX	BLACK
108-2304-XXX	GREEN
108-2305-XXX	LIGHT BLUE
108-2306-XXX	ORANGE
108-2307-XXX	YELLOW
108-2308-XXX	BROWN
108-2309-XXX	LIGHT GREEN
108-2310-XXX	BLUE
108-2311-XXX	IVORY
108-2312-XXX	VIOLET
108-2313-XXX	GRAY

DRAWING NO. - 2301-801 C - 108-2320-820	
0	REVISIONS
ENGINEERING RELEASE	
14	08-22-89 EJR GSH ECO 24322



MOUNTING HOLE DETAIL

NOTES:

- SPECIFICATIONS:
 - MECHANICAL:
 - TORQUE: 12 OZ IN MIN REQUIRED TO TURN CONTACT IN BODY
 - TORQUE: 12 OZ IN MIN REQUIRED TO TURN BODY IN PANEL
 - PUSHOUT FORCE: 30 LBS MIN REQUIRED TO REMOVE CONTACT FROM BODY
 - PUSHOUT FORCE: 50 LBS MIN REQUIRED TO REMOVE BODY FROM PANEL
 - ELECTRICAL:
 - DIELECTRIC WITHSTANDING VOLTAGE: 8500 VRMS MIN
 - CURRENT RATING: 10 AMPS MIN
 - CONTACT RESISTANCE: 10 MILLIOHMS MAX
 - CAPACITANCE: 2.6 pF NOMINAL
 - INSULATION RESISTANCE: 5000 MEGOHMS MIN
 - ENVIRONMENTAL:
 - LIFE EXPECTANCY: 5000 CYCLES MIN
 - TEMPERATURE RANGE: -55° TO +85° C
 - VIBRATION: 10 TO 55 Hz MIN
 - SHOCK: 100 g's MIN


UNCONTROLLED COPY

CUSTOMER DRAWING

THIS DRAWING TO BE INTERPRETED PER ASME Y 14.5M - 1994

"μSTATION"

COMPANY CONFIDENTIAL

TOLERANCE UNLESS OTHERWISE SPECIFIED		DRAWN BY <i>EJ</i>	DATE 9-25-89	 Cinch CONNECTIVITY SOLUTIONS a bel group	Cinch Connectivity Solutions P.O. Box 1732 Waseca, MN 56093 1-800-247-8256	
DECIMALS	mm	CHECKED BY RRE	DATE 1-12-90		TITLE BANANA JACK RIB-LOC FOR .175 BANANA PLUG	
.XX	_____	APPROVED BY GSQ	DATE 1-12-90	SHEET 2 OF 2		
.XXX	_____	RELEASE DATE	1-12-90	DRAWING NO. - 2301-801 C - 108-2320-820		
MATL	_____	U/M	INCH	SCALE 4:1		
FINISH	_____					