



Chipsmall Limited consists of a professional team with an average of over 10 year of expertise in the distribution of electronic components. Based in Hongkong, we have already established firm and mutual-benefit business relationships with customers from,Europe,America and south Asia,supplying obsolete and hard-to-find components to meet their specific needs.

With the principle of "Quality Parts,Customers Priority,Honest Operation,and Considerate Service",our business mainly focus on the distribution of electronic components. Line cards we deal with include Microchip,ALPS,ROHM,Xilinx,Pulse,ON,Everlight and Freescale. Main products comprise IC,Modules,Potentiometer,IC Socket,Relay,Connector.Our parts cover such applications as commercial,industrial, and automotives areas.

We are looking forward to setting up business relationship with you and hope to provide you with the best service and solution. Let us make a better world for our industry!



Contact us

Tel: +86-755-8981 8866 Fax: +86-755-8427 6832

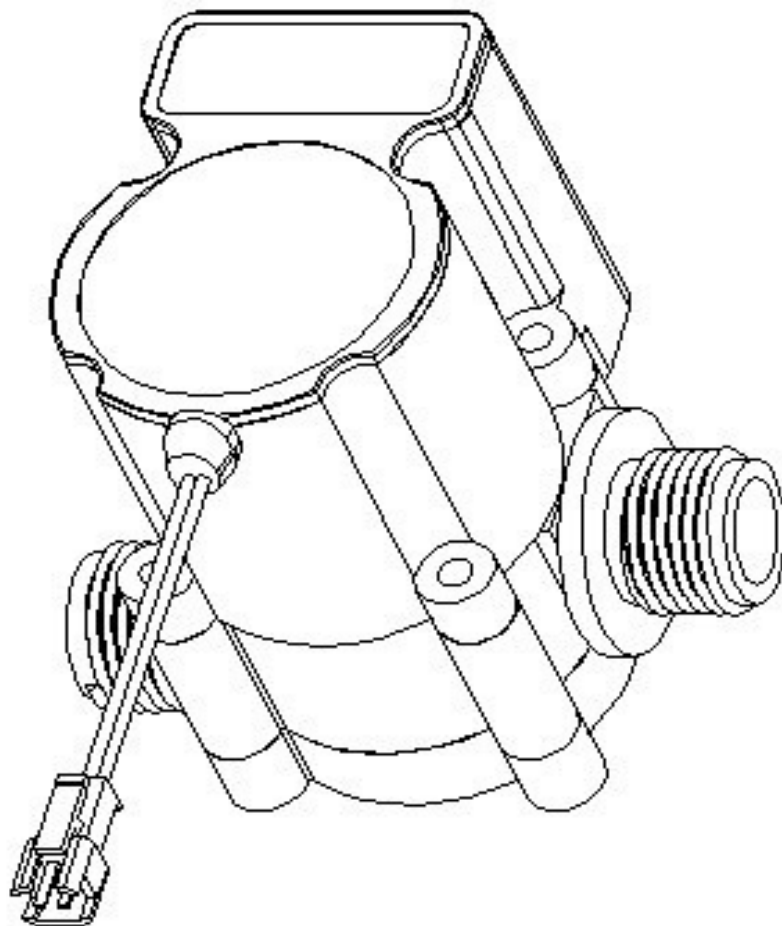
Email & Skype: info@chipsmall.com Web: www.chipsmall.com

Address: A1208, Overseas Decoration Building, #122 Zhenhua RD., Futian, Shenzhen, China



Hydro-Generator Specification

Model : DB-370F



DB-370F Specification Sheet

Working Pressure	< 2KGF
Pressure Drop	0.4 Bar (3.0 L / Min)
Peak Current	1.4 A
Stand-by Current	Max. 1.4A
Voltage Output	3.6V _{DC} --- 700mAh
Power Output	125mW (4LPM)
Battery Capacity	700mAh
Max. Flow	20 L / Min (2KGF)
Water-resistance	IP4
High limited voltage	4.3V _{DC}
Dimensions	L 84.5 mm - W 64.5 mm - H 81 mm
Wire Length	84mm
Jack Type	JWT C2521 Terminal Plug
Connect Thread Gauge	G 1/2"
Weight	195 ± 5g
Burst Pressure	20KGF
Normal Operation Temp.	4 °C~80 °C
Max. Intermittent Operating Temp.	110 °C max. 30 min
Generating Model	NACuM Core (PAT NO.DE202006004800)
Battery Type	Li-polymer Battery with PCM

NACuM Performance

The table shows the NACuM generated power at several flows, at a 100 Ohm resistor.

Flow(LPM) Voltage(V_{DC}) Current(mA) Power(mW)

2.7	3.4	34	115.6
3	3.5	35	122.5
4	3.6	36	129
12	3.66	36.6	133.9

EP-370F Drawing

