



Chipsmall Limited consists of a professional team with an average of over 10 year of expertise in the distribution of electronic components. Based in Hongkong, we have already established firm and mutual-benefit business relationships with customers from,Europe,America and south Asia,supplying obsolete and hard-to-find components to meet their specific needs.

With the principle of "Quality Parts,Customers Priority,Honest Operation,and Considerate Service",our business mainly focus on the distribution of electronic components. Line cards we deal with include Microchip,ALPS,ROHM,Xilinx,Pulse,ON,Everlight and Freescale. Main products comprise IC,Modules,Potentiometer,IC Socket,Relay,Connector.Our parts cover such applications as commercial,industrial, and automotives areas.

We are looking forward to setting up business relationship with you and hope to provide you with the best service and solution. Let us make a better world for our industry!



## Contact us

Tel: +86-755-8981 8866 Fax: +86-755-8427 6832

Email & Skype: info@chipsmall.com Web: www.chipsmall.com

Address: A1208, Overseas Decoration Building, #122 Zhenhua RD., Futian, Shenzhen, China





(images/product/ASLONG JGY 370 12V motor.jpg)

## ASLONG JGY-370 12V DC Worm Gear Motor

SKU: 108990007



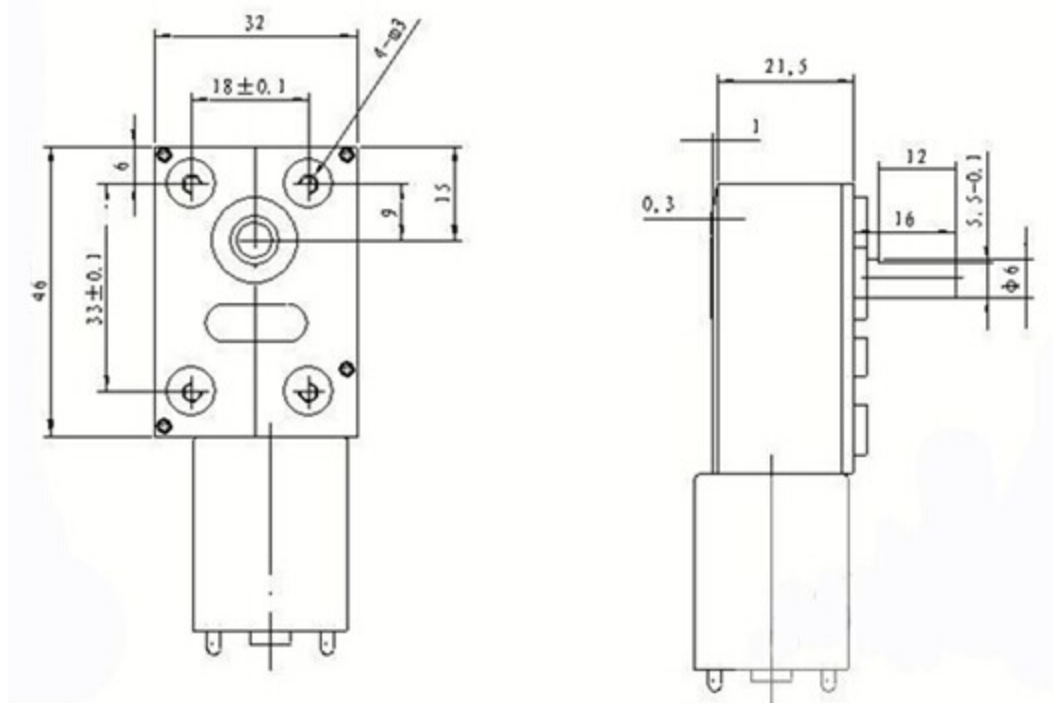
**WIO LINK is LIVE at Kickstarter!**

([https://www.kickstarter.com/projects/seeed/wio-link-3-steps-5-minutes-build-your-iot-applicat/description?ref=banner\\_depot](https://www.kickstarter.com/projects/seeed/wio-link-3-steps-5-minutes-build-your-iot-applicat/description?ref=banner_depot))

### Description

Mainly used in robot platform and car provide power, Good quality and long lifetime, High torque and Low noise. It's running at 160RPM.

## Specifications



- Rated Voltage: DC 12V
- No load speed: 160rpm
- No Load Current: 35mA
- load torque: 0.55kg.cm
- load Speed: 128rpm
- load Current: 180mA
- load out put: 1.1w
- Stall torque: 2.2kg.cm
- Stall Current: 1A
- Ratio: 37.3
- Weight:165g

For any technical support or suggestion, please kindly go to our forum (<http://www.seeedstudio.com/forum/viewforum.php?f=57>).

## Overview



(<http://www.seeedstudio.com/depot/Shenzhen-2U-t-11.html?ref=pinfo>)

Designer:  
Others  
Other  
Products

From This Designer (<http://www.seeedstudio.com/depot/Others-m-24.html?ref=pinfo>)

Weight: 156 g