



Chipsmall Limited consists of a professional team with an average of over 10 year of expertise in the distribution of electronic components. Based in Hongkong, we have already established firm and mutual-benefit business relationships with customers from,Europe,America and south Asia,supplying obsolete and hard-to-find components to meet their specific needs.

With the principle of “Quality Parts,Customers Priority,Honest Operation,and Considerate Service”,our business mainly focus on the distribution of electronic components. Line cards we deal with include Microchip,ALPS,ROHM,Xilinx,Pulse,ON,Everlight and Freescale. Main products comprise IC,Modules,Potentiometer,IC Socket,Relay,Connector.Our parts cover such applications as commercial,industrial, and automotives areas.

We are looking forward to setting up business relationship with you and hope to provide you with the best service and solution. Let us make a better world for our industry!



Contact us

Tel: +86-755-8981 8866 Fax: +86-755-8427 6832

Email & Skype: info@chipsmall.com Web: www.chipsmall.com

Address: A1208, Overseas Decoration Building, #122 Zhenhua RD., Futian, Shenzhen, China



6V Mini Water Pump

SKU 108990019



It is lightweight, small size, high efficiency, low consumption and low noise.

It has been used widely, in household include cooking, cleaning, etc.

Please do not test long time with no-load, inside is with plastic leaves, can't suction impurity.

Description

This is lightweight, small size, high efficiency, low consumption and low noise water pump.

It has been used widely, in household include cooking, cleaning, bathing, space heating and water flowers, etc.

Note: Please do not test long time with no-load, inside is with plastic leaves, can't suction impurit

Feature:

self-priming pump

Optimal For Voltage: 6V

Specification :

Working Voltage: 4v-12V

Working Current: 0.8A

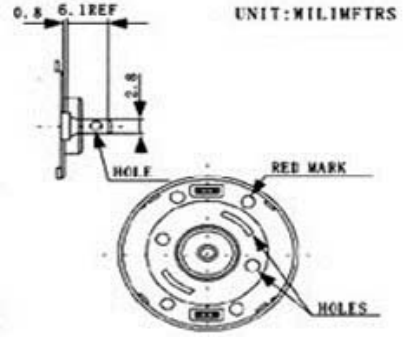
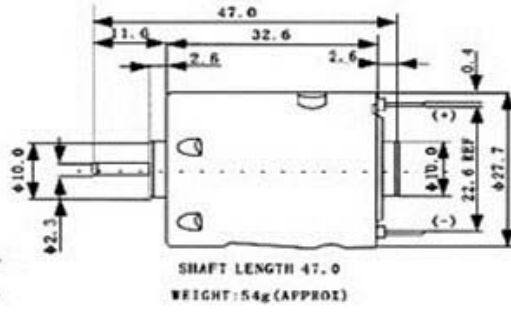
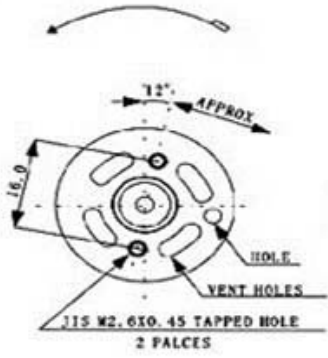
Motor Diameter: 27mm

Water Pump lenght: 52mm

Drain Hole: 4mm

Weight:147g

DIRECTION OF ROTATION



Part List:

1 x water pump