



Chipsmall Limited consists of a professional team with an average of over 10 year of expertise in the distribution of electronic components. Based in Hongkong, we have already established firm and mutual-benefit business relationships with customers from,Europe,America and south Asia,supplying obsolete and hard-to-find components to meet their specific needs.

With the principle of “Quality Parts,Customers Priority,Honest Operation,and Considerate Service”,our business mainly focus on the distribution of electronic components. Line cards we deal with include Microchip,ALPS,ROHM,Xilinx,Pulse,ON,Everlight and Freescale. Main products comprise IC,Modules,Potentiometer,IC Socket,Relay,Connector.Our parts cover such applications as commercial,industrial, and automotives areas.

We are looking forward to setting up business relationship with you and hope to provide you with the best service and solution. Let us make a better world for our industry!



Contact us

Tel: +86-755-8981 8866 Fax: +86-755-8427 6832

Email & Skype: info@chipsmall.com Web: www.chipsmall.com

Address: A1208, Overseas Decoration Building, #122 Zhenhua RD., Futian, Shenzhen, China



80 mm sq.

San Ace 80



General Specifications

- Material Frame: Aluminum,
Impeller:Plastics (Flammability: UL94V-1)
- Expected Life Refer to specifications (L10:Survival rate: 90% at 60°C ,
rated voltage,and continuously run in a free air state)
- Dielectric Strength 50/60Hz 1,500VAC 1minute (between input terminal and frame)
- Storage Temperature -30°C to +70°C (Non-condensing)
- Operating Voltage Range Voltage of each model ± 10%

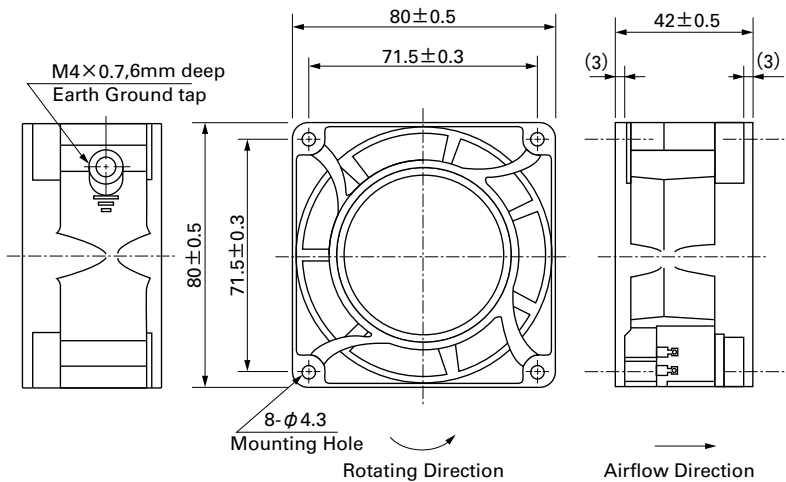
80×80×42mm (Mass : 410g)

Specifications

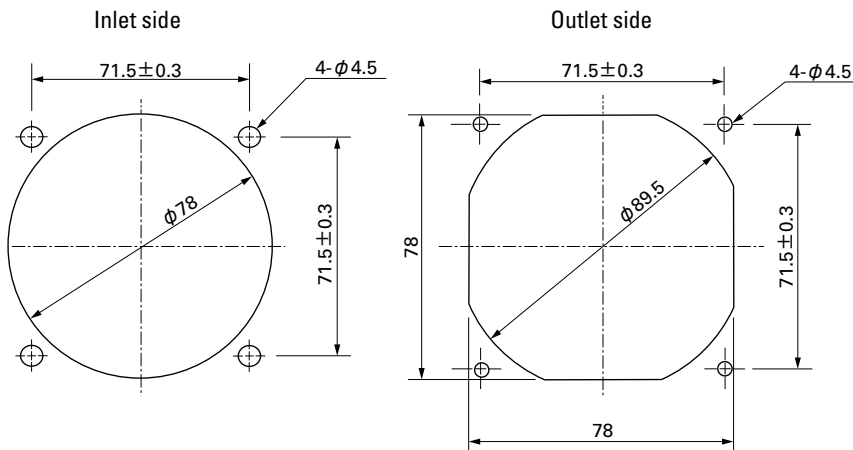
Model No.	Rated Voltage [V]	Frequency [Hz]	Input [W]	Current [A]	Locked Rotor Current [A]	Rated Speed [min ⁻¹]	Max. Airflow [m ³ /min] [CFM]	Max. Static Pressure [Pa] [inchHzO]	SPL [dB(A)]	Operating Temperature [°C]	Expected Life [h]
109-040UL	100	50/60	10/9	0.13/0.11	0.16/0.14	2,650/3,100	0.85/1.0 30.0/35.3	24.5/35.3 0.098/0.142	40/44	-30 to +60	25,000/60°C
109-043UL	115			0.11/0.1	0.14/0.12						
109-041UL	200			0.07/0.06	0.08/0.07						
109-044UL	230			0.06/0.05	0.07/0.06						
109-047UL	100		4/3.5	0.05/0.05	0.05/0.05	1,500/1,500	0.43/0.43 15.2/15.2	8.8/8.8 0.035/0.035	24/24		
109-033UL	115	0.04/0.04		0.04/0.04							

Set Models Fan, finger guard, plug cord, screws, etc. can be purchased in one package. For details, please refer to pp. 453 to 456.

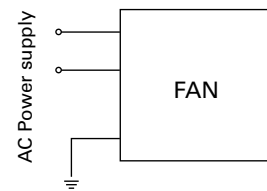
Dimensions (unit: mm)



Reference Dimensions of Mounting Holes and Vent Opening (unit: mm)



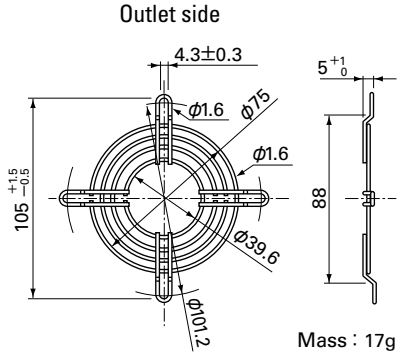
Wiring Diagram



Options (unit: mm)

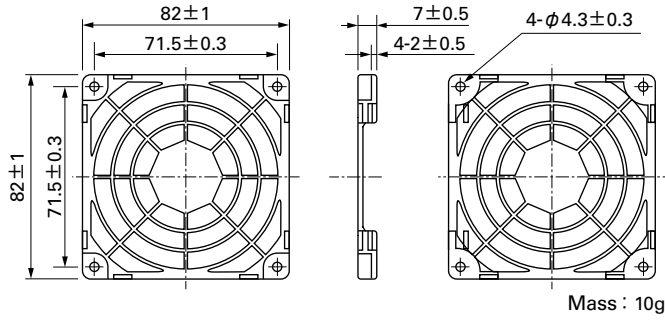
Finger Guards

Model : 109-049C Color Surface treatment : Nickel-chrome plating (silver)



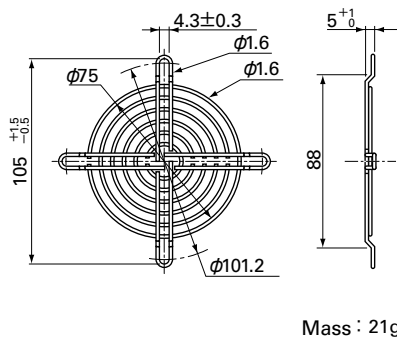
Resin Finger Guards

Model : 109-1002G



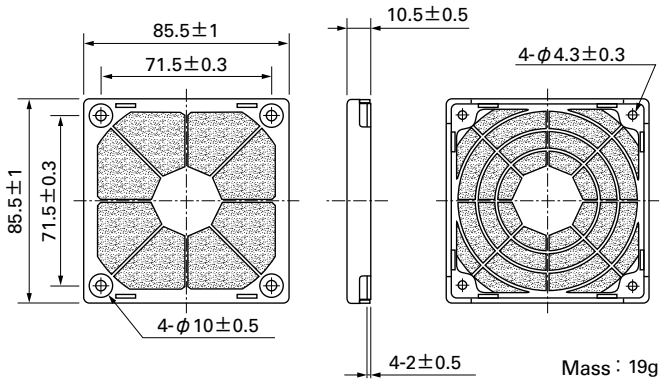
Model : 109-049E Color Surface treatment : Nickel-chrome plating (silver)
Model : 109-049H Color Surface treatment : Cation electropainting (black)

Inlet side, Outlet side



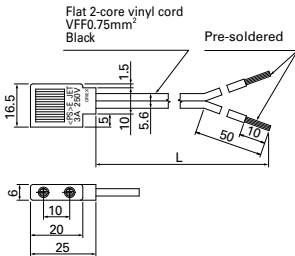
Resin Filter Kits

Model : 109-1002F13 (13PPI), 109-1002F20 (20PPI)
Model : 109-1002F30 (30PPI), 109-1002F40 (40PPI)



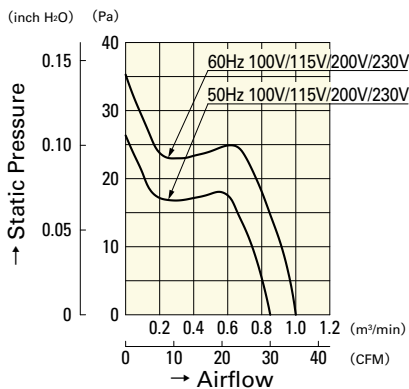
Plug Cord

(Products compliant with Electrical Appliance and Material Safety Law)
Model : 489-008-L10/489-008-L21/489-008-L35

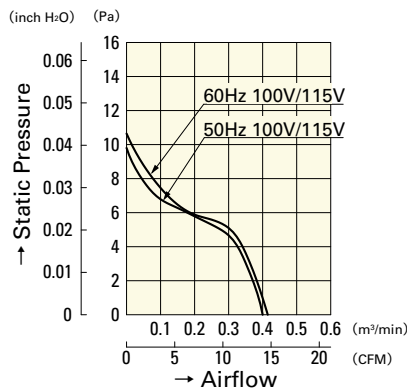


Model	Power cord length (L) [mm]	Mass [g]
489-008-L10	1,000	30
489-008-L21	2,100	61
489-008-L35	3,500	99

Airflow - Static Pressure Characteristics



109-040UL
109-043UL
109-041UL
109-044UL



109-047UL
109-033UL