



Chipsmall Limited consists of a professional team with an average of over 10 year of expertise in the distribution of electronic components. Based in Hongkong, we have already established firm and mutual-benefit business relationships with customers from,Europe,America and south Asia,supplying obsolete and hard-to-find components to meet their specific needs.

With the principle of “Quality Parts,Customers Priority,Honest Operation,and Considerate Service”,our business mainly focus on the distribution of electronic components. Line cards we deal with include Microchip,ALPS,ROHM,Xilinx,Pulse,ON,Everlight and Freescale. Main products comprise IC,Modules,Potentiometer,IC Socket,Relay,Connector.Our parts cover such applications as commercial,industrial, and automotives areas.

We are looking forward to setting up business relationship with you and hope to provide you with the best service and solution. Let us make a better world for our industry!



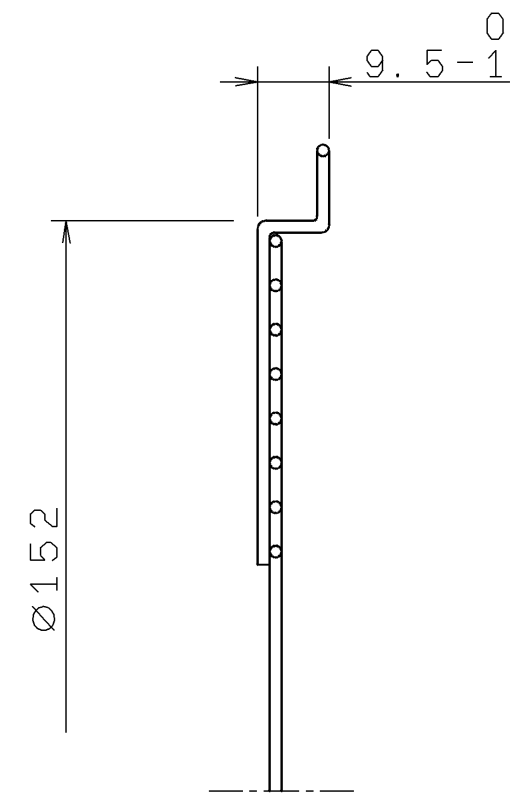
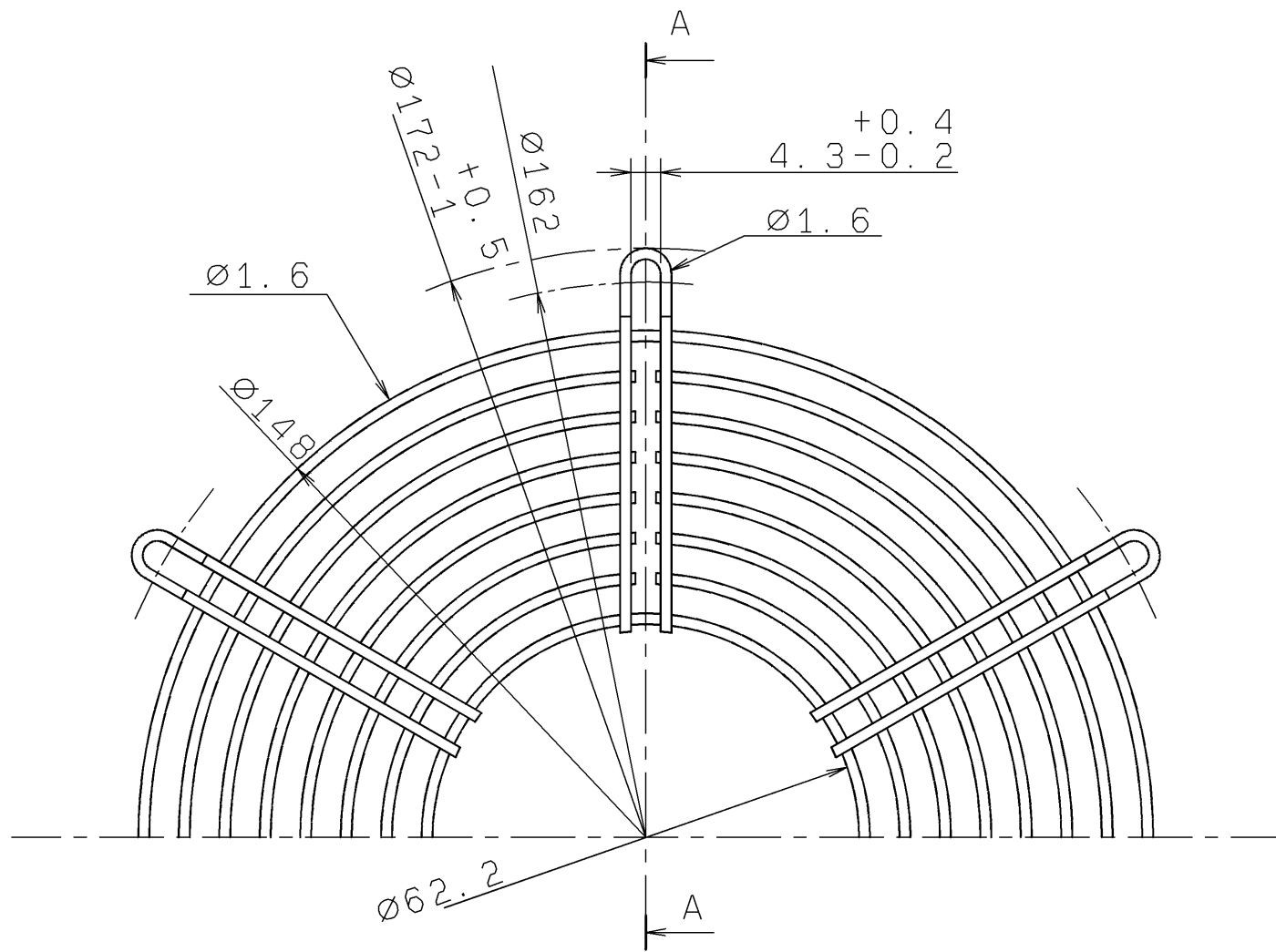
Contact us

Tel: +86-755-8981 8866 Fax: +86-755-8427 6832

Email & Skype: info@chipsmall.com Web: www.chipsmall.com

Address: A1208, Overseas Decoration Building, #122 Zhenhua RD., Futian, Shenzhen, China





SECTION AA
断面AA

NOTE 1. FINISH ; NICKEL CHROME PLATING
注 表面はニッケルクロムメッキ処理仕上げのこと。

			承認 APPROVED BY T. OGAWARA 12-09-05	ø172 吸込側専用 Air inlet side
F	E0129476	12-08-28	単位 UNIT m m	名称 TITLE FINGER_GUARD
E	E0028536	99-09-17		
D	ECN-F-1473	93-01-08	尺度 SCALE 12-08-28	フィンガーガード
A	新規作成 渡辺	78-03-07		
記号 REV.	記事 DESCRIPTION	日付 DATE	設計 DESIGNED BY M. WATANABE 12-08-28	図番 DWG NO. 109-319F
山洋電気株式会社 SANYO DENKI CO., LTD.				REV. F
A3G-F1				00010704