



Chipsmall Limited consists of a professional team with an average of over 10 year of expertise in the distribution of electronic components. Based in Hongkong, we have already established firm and mutual-benefit business relationships with customers from,Europe,America and south Asia,supplying obsolete and hard-to-find components to meet their specific needs.

With the principle of “Quality Parts,Customers Priority,Honest Operation,and Considerate Service”,our business mainly focus on the distribution of electronic components. Line cards we deal with include Microchip,ALPS,ROHM,Xilinx,Pulse,ON,Everlight and Freescale. Main products comprise IC,Modules,Potentiometer,IC Socket,Relay,Connector.Our parts cover such applications as commercial,industrial, and automotives areas.

We are looking forward to setting up business relationship with you and hope to provide you with the best service and solution. Let us make a better world for our industry!



## Contact us

Tel: +86-755-8981 8866 Fax: +86-755-8427 6832

Email & Skype: info@chipsmall.com Web: www.chipsmall.com

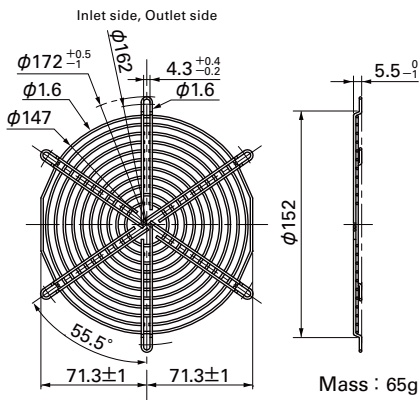
Address: A1208, Overseas Decoration Building, #122 Zhenhua RD., Futian, Shenzhen, China



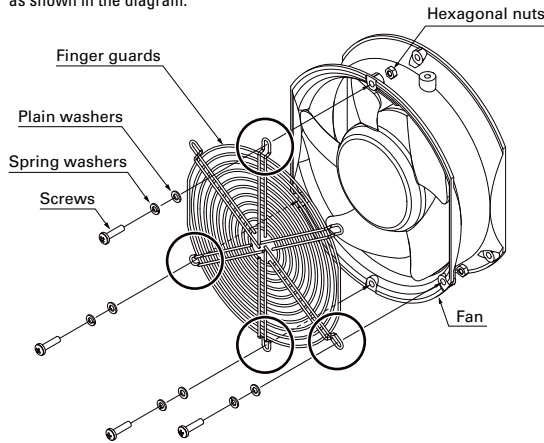
**Dimensions (unit : mm)**

**φ172mm SideCut type**

Model : 109-319J Surface treatment : Nickel-chrome plating (silver) Color (silver)  
 Applicable Model: 9SG57\*\*P5\*\*9GV57\*\*H501  
 9CR5748PG001/9WG5748P5\*001

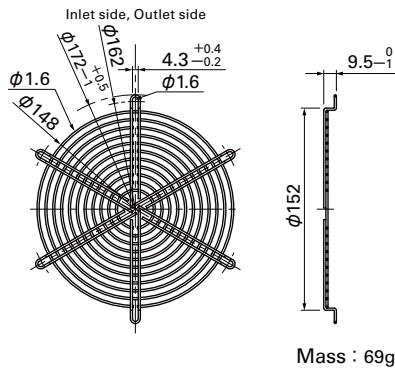


For the finger guard Model: 109-319J, fix the finger guard to four holes as shown in the diagram.



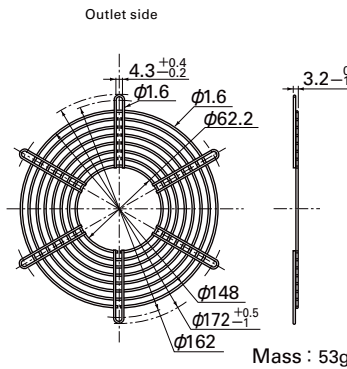
**φ172mm SideCut, Round type**

Model : 109-319E Surface treatment : Nickel-chrome plating (silver) Color (silver)  
 : 109-319H : Cation electropainting (black)

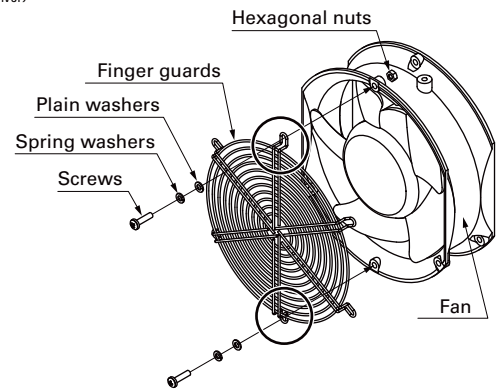


**φ172mm SideCut, Round type**

Model : 109-320 Surface treatment : Nickel-chrome plating (silver) Color (silver)

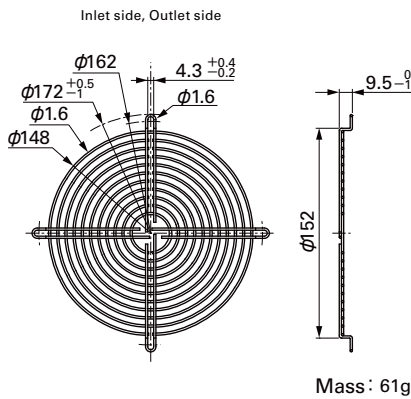


For the finger guard Model: 109-319E, 109-319H, 109-320, fix the finger guard to two holes as shown in the diagram. Do not fix it to any other holes.



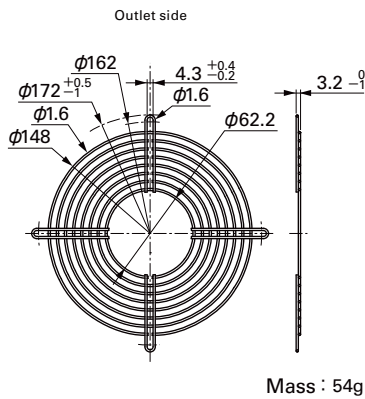
**φ172mm Round type**

Model : 109-1066 Surface treatment : Nickel-chrome plating (silver) Color (silver)



**φ172mm Round type**

Model : 109-1068 Surface treatment : Nickel-chrome plating (silver) Color (silver)



**Mounting example**

**Axial fan**

