



Chipsmall Limited consists of a professional team with an average of over 10 year of expertise in the distribution of electronic components. Based in Hongkong, we have already established firm and mutual-benefit business relationships with customers from,Europe,America and south Asia,supplying obsolete and hard-to-find components to meet their specific needs.

With the principle of “Quality Parts,Customers Priority,Honest Operation,and Considerate Service”,our business mainly focus on the distribution of electronic components. Line cards we deal with include Microchip,ALPS,ROHM,Xilinx,Pulse,ON,Everlight and Freescale. Main products comprise IC,Modules,Potentiometer,IC Socket,Relay,Connector.Our parts cover such applications as commercial,industrial, and automotives areas.

We are looking forward to setting up business relationship with you and hope to provide you with the best service and solution. Let us make a better world for our industry!



## Contact us

Tel: +86-755-8981 8866 Fax: +86-755-8427 6832

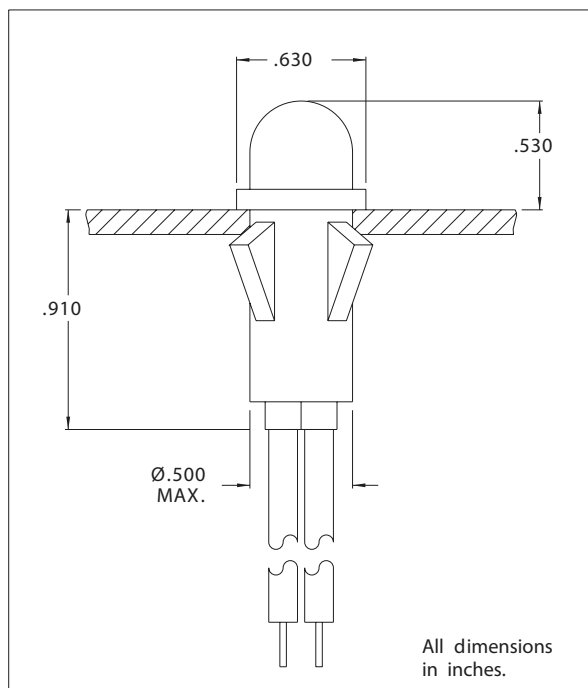
Email & Skype: info@chipsmall.com Web: www.chipsmall.com

Address: A1208, Overseas Decoration Building, #122 Zhenhua RD., Futian, Shenzhen, China





# 1050A, 1051A, 1052A, 1053A and 1090A Series Non-Relampable Neon-Incandescent Indicator Lights



**Mounting:** Will snap-fit into Ø.500/.505 hole in panels .020/.100 thick. Push-on speednut SN0461 also available.

**Wire Leads:** No. 22 AWG (105°C) 4.40/4.80 long, stripped .430/.570

**Lens:** Nylon on model 1050A1, 1050A3, 1050A4, 1050A1, 1051A3, 1051A4, Polycarbonate on all other models.

**Bezel:** Polished stainless steel.

**Housing:** White Nylon

Lens Color	Neon		Incandescent	
	Model No. (105-125VAC)	Model No. (208-250VAC)	Model No. (12V)	Model No. (28V)
Red	1050A1	1051A1	1090A1-12V	1090A1-28V
Clear	1050A2	-	-	-
Amber	1050A3	1051A3	1090A3-12V	1090A3-28V
White	1050A4	-	1090A4-12V	1090A4-28V
Green	1052A5*	1053A5*	1090A5-12V	1090A5-28V
Blue	1052A6**	1053A6**	1090A6-12V	1090A6-28V
Lamp used	C2A+R resistor	C2A+R resistor	#2162	#2187
Lead Color	Black	One Black/One Red	Yellow	Purple

\* Incorporates G2B lamp and resistor.

\*\* Incorporates T2B lamp and resistor.

Underwriters Laboratories (UL) File No. E20356

## Compliance & Approvals

