



Chipsmall Limited consists of a professional team with an average of over 10 year of expertise in the distribution of electronic components. Based in Hongkong, we have already established firm and mutual-benefit business relationships with customers from,Europe,America and south Asia,supplying obsolete and hard-to-find components to meet their specific needs.

With the principle of “Quality Parts,Customers Priority,Honest Operation,and Considerate Service”,our business mainly focus on the distribution of electronic components. Line cards we deal with include Microchip,ALPS,ROHM,Xilinx,Pulse,ON,Everlight and Freescale. Main products comprise IC,Modules,Potentiometer,IC Socket,Relay,Connector.Our parts cover such applications as commercial,industrial, and automotives areas.

We are looking forward to setting up business relationship with you and hope to provide you with the best service and solution. Let us make a better world for our industry!



Contact us

Tel: +86-755-8981 8866 Fax: +86-755-8427 6832

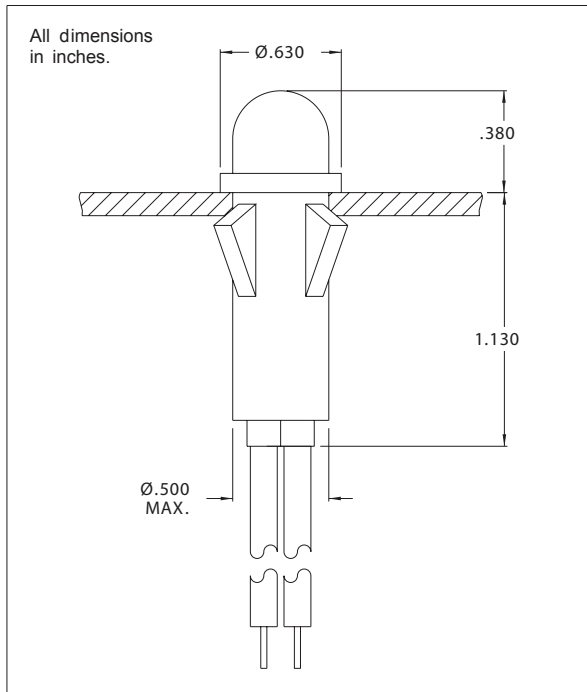
Email & Skype: info@chipsmall.com Web: www.chipsmall.com

Address: A1208, Overseas Decoration Building, #122 Zhenhua RD., Futian, Shenzhen, China



1091M Series Non-Relampable LED Indicator Lights

Description and Features



Solid-state indicator lights complete with built-in current-limiting resistor and rectifier diode.

Mounting: Will snap-fit into Ø.500/.505 hole in panels .020/.100 thick. Push-on speednut SN0461 also available. Mounting hole pattern on page SP2.

Wire Leads: No. 22 AWG (105°C) 4.40/4.80 long, stripped .430/.570

Lens: Polycarbonate

Anode(+): Red lead

Bezel: Polished stainless steel.

Housing: White Nylon

Lens Color	LED Solid State Indicator			
	Model No. (6V)	Model No. (12V)	Model No. (24V)	Model No. (105-125 VAC*)
Red	1091M1-6V	1091M1-12V	1091M1-24V	1091M1-125VAC
Green	1091M5-6V	1091M5-12V	1091M5-24V	1091M5-125VAC
Yellow	-	1091M7-12V	1091M7-24V	1091M7-125VAC
Internal Resistor (ohms)	150	390	1000	(2) 3.9K 1/2W* (One Internal)

*125 VAC supplied with 6" white wire, stripped 1/2" with external 3.9K 1/2 watt resistor attached to one lead, covered with shrink tubing insulation.

Voltage Table		
Nominal	VAC	VDC
6V	5 to 11	3.5 to 6.5
12V	10 to 20	6 to 13.5
24V	22 to 32	12 to 24
125 VAC	105 to 125	-

Lens Color	Incorporates LED*
Red	4304H1
Green	4304H5
Yellow	4304H7

* Also incorporates 1N4004 (400 P.I.V.) rectifier diode.

To use 24V model: Beyond 32VAC add 30 ohms per volt; beyond 24 VDC add 50 ohms per volt. Use 1/2W resistor up to 50V; 1W resistor for 50V to 70V; 2W resistor for 75V to 125V. Do not use beyond 125V.